

**Series 8, Built-in oven with steam function, 60 x 60 cm, Black HSG958DB1A**



HEZ333001 Lid for professional pan, HEZ530000 Half tray, HEZ531010 Baking tray, non-stick ceramic coated, HEZ532010 Universal pan, non-stick ceramic coated, HEZ617000 Pizza pan, enamelled, HEZ629070 Air Fry & Grill tray, HEZ631070 Baking tray, enamelled, HEZ632070 Multipurpose pan, enamelled, HEZ633001 Lid for professional pan, enamelled, HEZ633070 Professional pan, enamelled, HEZ633073 Professional pan, enamelled, HEZ635001 AirFry & Grill Set, HEZ638D00 Full ext rails, level independent, steam, HEZ660060 Strip, HEZ664000 Baking and roasting grid (steam), HEZ66D52 2 steamcontainer(punched/unpunched)sizeM, HEZ6BMA00 Assembly kit for vertical installation, HEZ915003 Glass roasting dish, 5,4 L

**The built-in steam oven with Digital Control Ring and TFT-touchdisplay. Assist function for meals, PerfectBake Plus, PerfectRoast Plus: for automatically perfect dishes, moist steam baking and gentle steaming. Home Connect for control via the App.**

- **TFT Touch Display Pro:** control with an innovative Digital Control Ring and full TFT touchscreen.
- **Air Fry Function with tray:** for perfectly fried foods, such as vegetables and chips.
- **Steam Function Plus:** for gentle, healthy food preparation at up to 120°C.
- **PerfectBake Plus:** regulates settings and tells you exactly when to remove dishes from the oven.
- **PerfectRoast Plus:** knows exactly when your roast is done.

Color / Material Front: ..... Black  
 Built-in / Free-standing: ..... Built-in  
 Door opening: ..... Drop down  
 Cleaning : .Hydrolytic, Catalytic liners (all sides), Catalytic liners (all sides)  
 Control Panel Material: ..... Glass  
 Door Material: ..... Glass  
 Dimensions (HxWxD): ..... 595 x 594 x 548 mm  
 Dimensions of the packed product (HxWxD): ..... 660 x 650 x 690 mm  
 Min. required niche size for installation (HxWxD): 585-595 x 560-568 x 550 mm  
 Cavity dimensions: ..... 355 x 480 x 415 mm  
 Usable volume of cavity: ..... 71 l  
 Number of interior lights: ..... 1  
 Net weight: ..... 44.0 kg  
 Gross weight: ..... 46.5 kg  
 EAN code: ..... 4242005327287  
 Connection rating: ..... 3600 W  
 Fuse protection: ..... 16 A  
 Voltage: ..... 220-240 V  
 Frequency: ..... 50; 60 Hz  
 Length electrical supply cord: ..... 120.0 cm



## **Series 8, Built-in oven with steam function, 60 x 60 cm, Black HSG958DB1A**

**The built-in steam oven with Digital Control Ring and TFT-touchdisplay. Assist function for meals, PerfectBake Plus, PerfectRoast Plus: for automatically perfect dishes, moist steam baking and gentle steaming. Home Connect for control via the App.**

### **Heating Functions**

- Combi-steam oven with 24 heating methods: 4D HotAir, Top/bottom heating, Hot air grilling, Full width grill, Half width grill, Pizza setting, Bottom heating, Intensive heat, Slow cooking, Preheat ovenware, Drying, Keep warm, Hotair gentle, Conventional heat gentle, AirFry, Pure steaming, Reheating, Dough Proving, Defrost setting, sous-vide cooking, hotair grilling + steam, keep warm + steam, 4D hotAir + steam, Top/bottom heat + steam
- Temperature range 30 °C - 250 °C.
- Steam Function Plus 120 °C
- Steam Function Plus 120 °C
- Cavity volume: 71 net usable litres

### **Hook-in racks / rails**

- Number of shelf levels: 5
- 1 set of level independent telescopic rails (Clip-on rail), fully extendable, safety stop function

### **Design**

- Carbon Black Design
- Anthracite enamel cavity with 5 shelf positions
- Touch control
- Digital Control Ring

### **Cleaning**

- EcoClean Direct: coating of ceiling, back panel, side liners
- Cleaning Assistance (HydroClean program)

### **Convenience**

- TFT-touchdisplay Pro
- Automatic temperature proposal, Residual heat indicator, Actual temperature display, Meat probe function
- Air Fry Function
- There are different steam intensities selectable: steam level high, steam level middle, steam level low
- Steam Boost - add for 3min intensive steam with a touch of a button.
- PerfectRoast Plus multipoint meat probe
- PerfectBake plus
- Bosch Assist - a menu of dishes for automatic cooking
- HomeConnect
- Oven Assistant with Voice Control
- Automatic rapid heat function
- Drop down door
- Oven door with SoftOpen and SoftClose
- Integrated cooling fan

- LED lighting
- Electronic clock/timer with end time programming
- Water tank empty indicator
- Location of the steam generator is outside of the cavity

### **Accessories**

- 1 x sponge, 1 x universal pan, 1 x steam container, punched, size XL, 1 x Steam container, unpunched, size M, 2 x grid, 1 x Air Fry & Grill tray, 1 x Steam container, punched, size M

### **Safety and Environment**

- Child lock, Automatic safety switch off function, Residual heat indicator, Start button, Door contact switch
- Triple glazed door
- Full glass inner door

### **Technical Info**

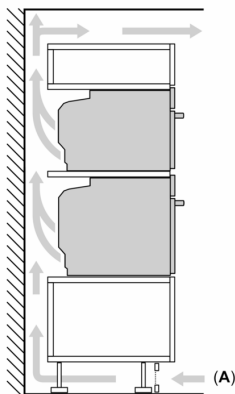
- Length of mains cable: 120 cm
- Nominal voltage: 220 - 240 V
- Total connected load electric: 3.6 KW

### **Dimensions**

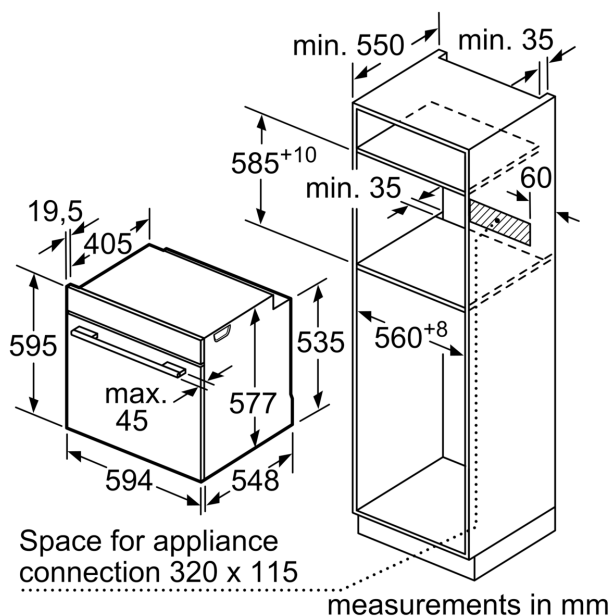
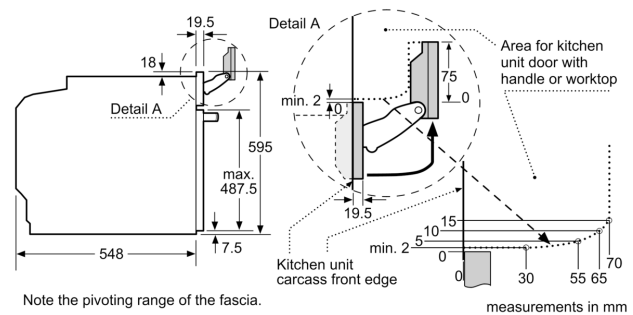
- Appliance dimensions (HxWxD): 595 mm x 594 mm x 548 mm
- Installation dimensions (HxWxD): 585 mm - 595 mm x 560 mm - 568 mm x 550 mm
- Please reference the built-in dimensions provided in the installation drawing

**Series 8, Built-in oven with steam function, 60 x 60 cm, Black HSG958DB1A**

Installing two appliances on top of each other  
Air exchange



A: Air inlet  $\geq 200 \text{ cm}^2$



If the appliance will be installed underneath a hob, the following worktop thicknesses (including substructure if necessary) must be taken into account.

Hob type	min. worktop thickness	
	fitted	flush
Induction hob	37 mm	38 mm
Full surface Induction hob	47 mm	48 mm
Gas hob	30 mm	38 mm
Electric hob	27 mm	30 mm

