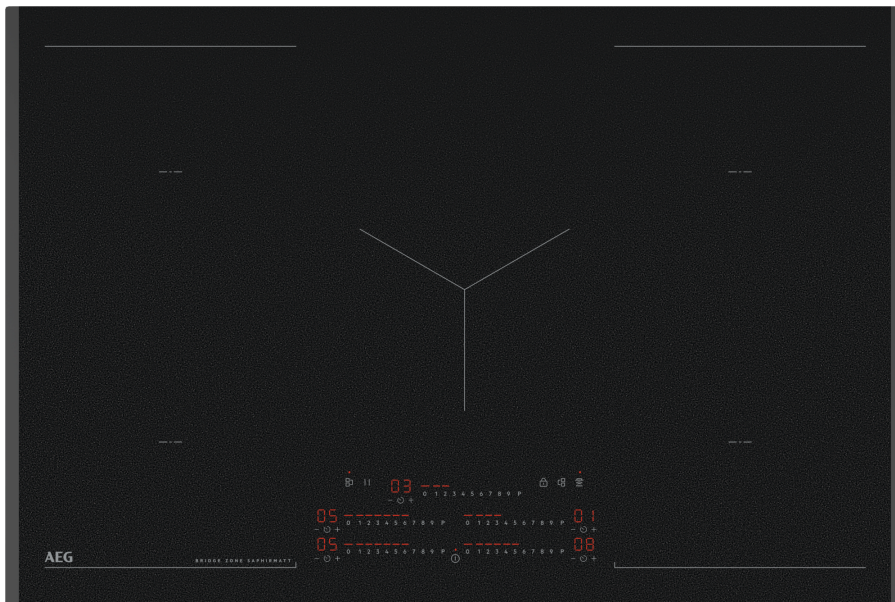


80cm 5 zone induction cooktop with SaphirMatt surface, DoubleBridge and Hob2Hood.
RRP AUS \$0.00



Product Details

FEATURES

Matte Black Design

A matte black finish with reduced reflectivity blends modern design with surface innovation.

DoubleBridge

Two bridge zones allow you to join cooking areas together to fit large pots or long pans.

PowerBoost

PowerBoost provides quick, intense heat

Heat memory

If cooking is interrupted, Heat Memory retains your hob settings for 120 seconds.

Anti-fingerprint matte finish

The anti-fingerprint matte finish with unique surface treatment resists marks* for easy maintenance. *Based on external tests, compared to our standard hob surface without special treatment or coating.

Individual zone controls

Individual Zone Controls with separate timers and independent functions including PowerBoost and ActiveTouch.

Pause Function

The pause function sets zones to the lowest setting to keep dishes warm and prevent overcooking.

Hob2Hood

Hob2Hood automatically adjusts your hood settings so you can focus on creating delicious dishes.

Child lock

BENEFITS

MATTE BLACK SOPHISTICATION

Make a powerful visual statement in your kitchen with an innovative induction cooktop that blends elegance with innovation. The matte black finish is less reflective than a standard ceramic glass surface for a modern design aesthetic. This premium matte black cooktop exudes a sophisticated style that will enhance every kitchen design, from contemporary to classic.

LESS SCRATCHES WITH ELEGANT SAPHIRMATT

Keep your hob looking newer for longer with our SaphirMatt ceramic glass, which effectively reduces the appearance of fine scratches from everyday use. The exceptional durability of SaphirMatt, features scratch-resistant properties that surpass those of conventional ceramic hob surfaces*. *Based on external tests, compared to our standard hob surface without special treatment or coating.

DOUBLE THE FLEX AND FLAVOUR

DoubleBridge means this cooktop has two Bridge zones, one on each side, which allows you to join cooking areas together in order to fit large pots or long pans. Sharing the same temperature and time setting, the linked zones are ideal when you're experimenting with a plancha or fish kettle.

INTUITIVE, CONTINUOUS COOKING

Keep your cooking on course with Heat Memory. If the pot is lifted from the hob, or if spills occur, the intuitive user interface retains your current heat settings for 120 seconds, preventing the need to reset power. With Heat Memory, precise heat is continuously maintained to help create memorable meals.

MORE EFFICIENT CLEANING

Maintain an immaculate surface effortlessly with the anti-fingerprint matte finish. This unique ceramic glass treatment resists marks during everyday cooking. Simply wipe the cooktop with a damp cloth to restore a streak-free appearance with ease.*Based on external tests, compared to our standard cooktop surface without special treatment or coating.

A FRESHER KITCHEN. HANDS-FREE.

The wireless Hob2Hood function automatically adjusts your hood settings based on how you are cooking, leaving your hands free to focus on the food. The hood lights will automatically illuminate when your hob turns on and the fan speed will adjust depending on how powerfully you are cooking.

Specifications

PRODUCT PROFILE

Domestic warranty details (yrs)	5
Cooktop type	induction
Materials/Colour	matte black
Trim finish	bevelled sides only

DIMENSIONS

Total product height (mm)	50
Total product width (mm)	800
Total product depth (mm)	520
Cut out width (mm)	750
Cut out depth (mm)	490
Cut out height (mm)	44

CONTROLS

Controls of Cooktops	Touch and Slide controls
Position of controls	front
Functions of Cooktops	acoustic signal,pause,Hob2Hood,PowerBoost,Child-lock,Individual zone timers,Pot detection,Bridging
Indicators/display	3 level residual heat indicator

ELEMENTS/BURNERS

LEFT FRONT ZONE

Left front zone	Bridge
Left front Watts	2300
Left front boost watts	3200
Left front diameter mm	210

CONTROLS

Features of Cooktop	safety child lock,key lock function,sound off,pot sensors,Hob2Hood,Bridge zone,minute minder
Timer of Cooktop	Minute minder

LEFT REAR ZONE

Left rear zone	Bridge
Left rear watts	2300
Left rear diameter mm	210

CENTRE REAR ZONE

Centre rear zone	induction
Centre rear Watts	2300
Centre rear diameter mm	210

RIGHT FRONT ZONE

Right front zone	Bridge
Right front Watts	2300
Right front diameter mm	210

RIGHT REAR ZONE

Right rear zone	Bridge
Right rear watts	2300
Right rear diameter mm	210

ELECTRICAL SPECIFICATIONS

Connected load KW	7.35
Type of connection	hardwired

SHIPPING

Shipping Volume (m3)	0.061
Shipping Weight (Kg)	13.64

SHIPPING

Pack Dimensions Height (mm)	118
--------------------------------	-----

Pack Dimension Width (mm)	868
------------------------------	-----

Pack Dimension Depth (mm)	600
------------------------------	-----

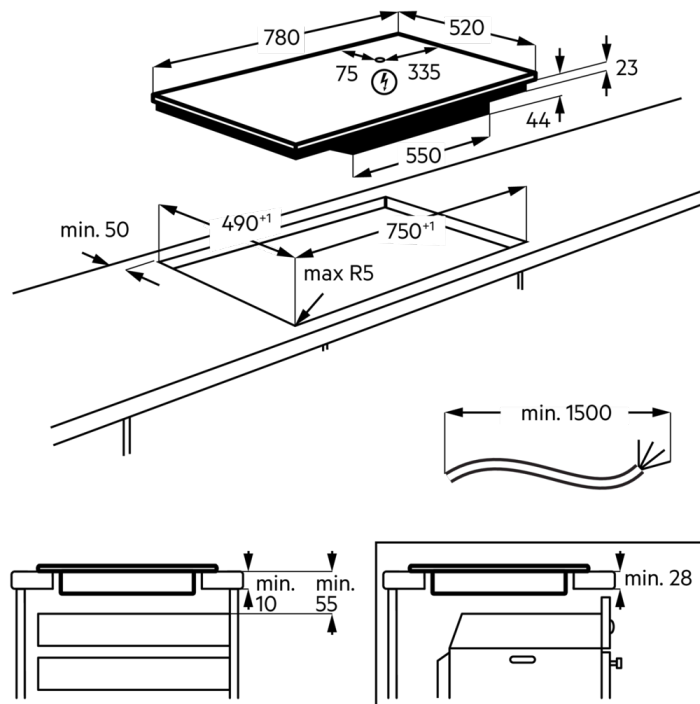
Dimensions

AEG

DIMENSION AND INSTALLATION GUIDE

6000 SERIES
NIK85M00FZ
 80CM BUILT-IN INDUCTION HOB

Dimensions	Width (mm)	Height (mm)	Depth (mm)
Cut-out (mm)	750	44	490
Product (mm)	780	94	520



IMPORTANT

These dimensions are a guide only. All measurements are in millimetres (mm).
 For complete installation instructions, refer to the manual provided with product.

© 2024 Electrolux S.E.A PTE. LTD. AEG_DIM_NIK85M00FZ_Oct24

Terms and Conditions

IMPORTANT

This is a guide of product dimensions only. For complete installation instructions, refer to the manual provided with product.

PRODUCT INFORMATION

The descriptors and illustrations in this publication apply to the specific products and models described as at the date of issue. Under our policy of continuous product development, product specifications may change without notice. Prospective purchasers should therefore check with their retailer to ensure this publication correctly describes the products that are being offered for sale. All information supplied is to be used for general reference purposes only and is on the understanding that Electrolux Home Products Pty Ltd (Australia) and Electrolux (NZ) Ltd (New Zealand) will not be liable for any loss, liability or damage of whatever kind arising as a result of reliance on such information. Colours of products illustrated are as close as printing limitations allow. Electrolux will at all times comply with its obligations pursuant to law including Trade Practices (Australian Consumer Law) Act and Regulations.

WARRANTY

Electrolux Home Products warrants that for domestic applications the AEG appliances featured are free from defects in materials and workmanship for 5 years (3 months warranty for commercial applications). All warranties are subject to the conditions set out in the warranty card accompanying the product when purchased.

ELECTROLUX HOME PRODUCTS AUSTRALIA

telephone: 1300 363 664

fax: 1800 350 067

email: customercare@aegaustralia.com.au

web: www.aeg.com/au

ELECTROLUX HOME PRODUCTS NEW ZEALAND

telephone: 0800 10 66 10

fax: 09 573 2221

email: customercare@electrolux.co.nz

web: www.aeg.com/au