

**14cm built-in warming drawer with variable temperature control, versatile functionality and push to open with soft closing drawer. Designed to suit Electrolux 700 and 800 series 60cm built-in ovens**



## Product Details

### FEATURES

---

Keep warm function

Plate warming function

Defrost setting

Easy to operate

---

Full drawer extension

---

### BENEFITS

---

#### Keep plates ready for serving

The convenient Built-In Warming Drawer is your ideal companion in the kitchen keeping your plates and food warm and ready to be served.

#### Easy, Mechanical Control

Mechanical Control allows you to simply set the warming drawer, so your dishes and food are always as you like them.

---

#### THE OVEN'S PERFECT COMPLEMENT

Designed with the chef in mind, the Warming Drawer is the perfect complement to your oven's design keeping dishes and food warm and ready to serve.

#### KEEP FOOD AND DISHES WARM

Serve every dish at its best with the built-in Warming Drawer. Warm plates, prove dough or keep food heated until its time to serve perfect for preparing many courses for family and friends.

---

#### KEEP IMPORTANT ITEMS AT HAND

Perfectly aligned for your built-in kitchen, the Storage Drawer store plates, glasses, sous vide bags and more.

---

## Specifications

### PRODUCT PROFILE

---

Domestic warranty details (yrs)	3
---------------------------------	---

---

Type	built-in
------	----------

---

### EXTERIOR

---

Exterior Finish	Black glass
-----------------	-------------

---

Push to open drawer system	yes
----------------------------	-----

---

Full drawer extension	Yes
-----------------------	-----

---

Soft close door	Yes
-----------------	-----

---

### DIMENSIONS

---

#### PRODUCT

---

Total height (mm)	139
-------------------	-----

---

### FEATURES

---

Number of place settings	6
--------------------------	---

---

Features	Cups & Glass warming (40d °C), Plate Warming (60d °C), Anti-slip mat, Overheat protection, Variable temperature control, Defrosting (30d °C), Dough proving (40d C-50d °C), Food warming (60d C-80d °C)
----------	---

---

### SPECIFICATIONS

---

Power	Plug
-------	------

---

Maximum Power Rating (W)	400
--------------------------	-----

---

### FLUSH

---

Cut out height (mm)	141
---------------------	-----

---

---

Total width (mm)	594
------------------	-----

---

---

Total depth (mm)	530
------------------	-----

---

---

Cut out width (mm)	560
--------------------	-----

---

---

Cut out depth (mm)	550
--------------------	-----

---

## SHIPPING

---

---

Shipping Volume (m3)	0.08723
----------------------	---------

---

---

Shipping Weight (Kg)	14.8
----------------------	------

---

---

Pack dimensions height	220
------------------------	-----

---

---

Pack dimension width	610
----------------------	-----

---

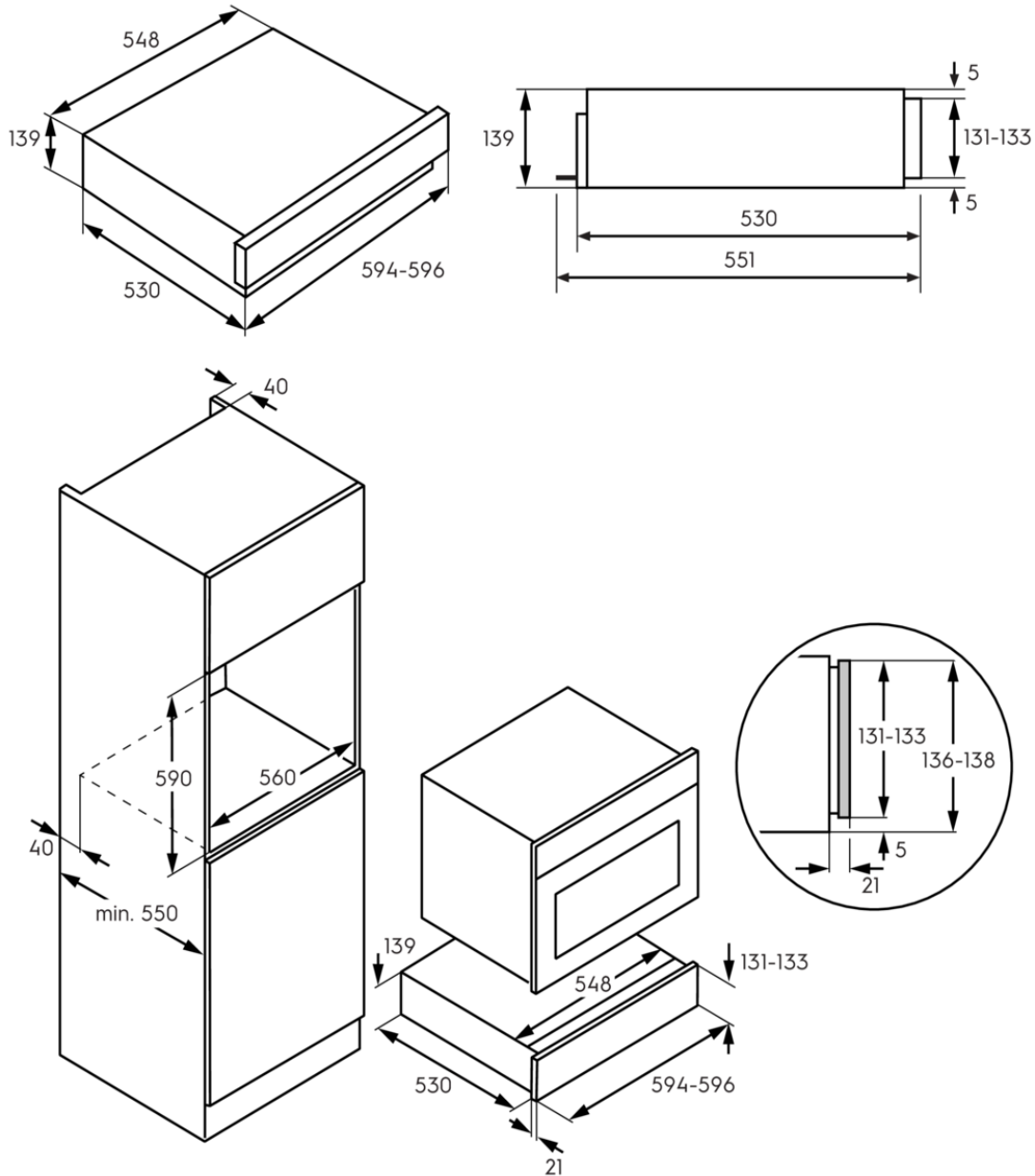
---

Pack dimension depth	650
----------------------	-----

---

# Dimensions

**Model:**  
LBD4Z





## Terms and Conditions

### IMPORTANT

This is a guide of product dimensions only. For complete installation instructions, refer to the manual provided with product.

### PRODUCT INFORMATION

The descriptors and illustrations in this publication apply to the specific products and models described as at the date of issue. Under our policy of continuous product development, product specifications may change without notice. Prospective purchasers should therefore check with their retailer to ensure this publication correctly describes the products that are being offered for sale. All information supplied is to be used for general reference purposes only and is on the understanding that Electrolux Home Products Pty Ltd (Australia) and Electrolux (NZ) Ltd (New Zealand) will not be liable for any loss, liability or damage of whatever kind arising as a result of reliance on such information. Colours of products illustrated are as close as printing limitations allow. Electrolux will at all times comply with its obligations pursuant to law including Trade Practices (Australian Consumer Law) Act and Regulations.

### WARRANTY

This warranty only applies to Appliances purchased and used in Australia or New Zealand and used in normal domestic applications and is in addition to (and does not exclude, restrict, or modify in any way) any non-excludable statutory warranties in Australia or New Zealand. All warranties are subject to the conditions set out in the warranty card accompanying the product when purchased.

#### ELECTROLUX HOME PRODUCTS AUSTRALIA

telephone: 1300 363 640

fax: 1800 350 067

email: [customercare@electrolux.com.au](mailto:customercare@electrolux.com.au)

web: [www.electrolux.com.au](http://www.electrolux.com.au)

#### ELECTROLUX HOME PRODUCTS NEW ZEALAND

telephone: 09 573 2230

fax: 09 573 2221

email: [customercare@electrolux.co.nz](mailto:customercare@electrolux.co.nz)

web: [www.electrolux.co.nz](http://www.electrolux.co.nz)