

**Series 8, integrated rangehood, 86 cm, Black
DLN88PC60A**



The undermount rangehood offers you flexibility in your kitchen planning, all with sleek styling and excellent performance – now in a brand new black colour, matching modern kitchens with Induction, Ceramic, and black-glass Gas Cooktops.

- **EcoSilence Drive:** the powerful, energy-saving drive for hoods.
- **Intensive speed setting with reset:** automatically resets the hood to normal speed setting
- **Seamless integration:** thanks to near flush installation, the canopy rangehood is almost invisible in upper cabinets.
- **LED Illumination:** The energy-saving lighting provides a clear and bright illumination for the hob area.
- **Push button control:** effortless hood operation with real push buttons.

DHZ5316	Standard odor filter (replacement)
DHZ5605	Standard recirculation kit
DWZ0IT0P0	Long Life odor filter (replacement)
DWZ1IT1D1	Long Life recirculation kit external
DWZ1IX1B6	Clean Air Plus odor filter (replacement)
DWZ1IX1C6	Clean Air Plus recirc. kit external

Typology:	Built-in/Built-under
Length electrical supply cord:	150.0 cm
Required niche size for installation (HxWxD):	... 345mm x 836.0mm x 264mm mm
Minimum distance above an electric cooktop:	600 mm
Minimum distance above a gas cooktop:	650 mm
Net weight:	9.2 kg
Type of control:	Electronic
Number of power settings:	3-stages + intensive setting
Max. air extraction:	595 m ³ /h
Boost position output recirculating:	780 m ³ /h
Max. air recirculation:	570 m ³ /h
Boost position air extraction:	820 m ³ /h
Number of lights:	2
Noise level:	61 dB(A) re 1pW
Diameter of air outlet:	120 / 150 mm
Grease filter material:	Washable aluminium
EAN code:	4242005475681
Connection rating:	172 W
Fuse protection:	3 A
Voltage:	220-240 V
Frequency:	60; 50 Hz
Plug type:	AU plug
Installation typology:	Built-in



Series 8, integrated rangehood, 86 cm, Black DLN88PC60A

The undermount rangehood offers you flexibility in your kitchen planning, all with sleek styling and excellent performance – now in a brand new black colour, matching modern kitchens with Induction, Ceramic, and black-glass Gas Cooktops.

- Power rating: 172 W
- Voltage: 220 - 240 V
- Expanded plastic free packaging

Planning and Installation Information:

- Appliance dimensions (HxWxD): 345 x 860 x 282 mm
- Dimensions recirculating (HxWxD): 345-345 x 860 x 282 mm
- Installation dimensions (HxWxD): 345 x 836 x 264 mm
- Please reference the built-in dimensions provided in the installation drawings
- Electrical cable length 1.5 m
- Diameter pipe Ø 150 mm (Ø 120 mm enclosed)
- with one-way flap: prevents outside air from entering your kitchen

Design:

- For installation in a kitchen cabinet
- Flush-fitted installation for a seamless integration in wall cupboards.
- Suitable for ducted or re-circulated extraction
- For recirculated extraction various recirculation kits are available as optional accessories.

Features:

- 2 x 1 Watt LED lights with color temperature selectable from 2 fixed values
- SoftLight: the lighting elements switch on and off smoothly.
- Colour Temperature: 4000 K
- Light Intensity: 250 lux
- EcoSilence Drive: Efficient BLDC technology
- 2 metal grease filter(s).

Comfort Features:

- Electronic controls with low-lift push buttons
- Saturation display for filters
- Automatic after running (10 minutes)
- 3 power settings plus intensive setting
- Automatic reset from intensive to normal setting after 6 min

Cleaning Comfort:

- Metal grease filter dishwasher-safe
- Easy to clean smooth surfaces and materials.

Performance Exhaust:

- According to EN 61591 and EN/ IEC 60704-2-13 your appliance can achieve the following values in exhaust mode: Speed 1: extraction rate 270 m³/h; noise level 42 dB (A) re1pW Speed 2: extraction rate 395 m³/h; noise level 51 dB (A) re1pW Speed 3: extraction rate 595 m³/h; noise level 61 dB (A) re1pW Intensive 1: extraction rate 820 m³/h; noise level 68 dB (A) re1pW

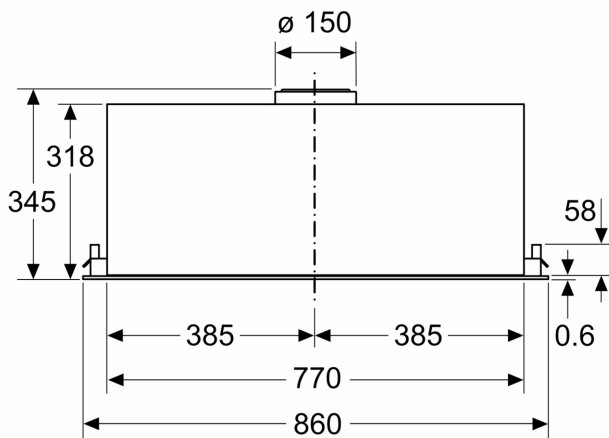
Performance Recirculation:

- According to EN 61591 and EN/ IEC 60704-2-13 your appliance can achieve the following values in recirculation mode with standard recirculation kit (available as optional accessory):
- Speed 1: extraction rate 190 m³/h; noise level 56 dB(A) re1pW
- Speed 2: extraction rate 230 m³/h; noise level 63 dB(A) re1pW
- Speed 3: extraction rate 360 m³/h ; noise level 70 dB(A) re1pW
- Intensive Speed 1: extraction rate 460 m³/h; noise level 75 dB (A) re1pW

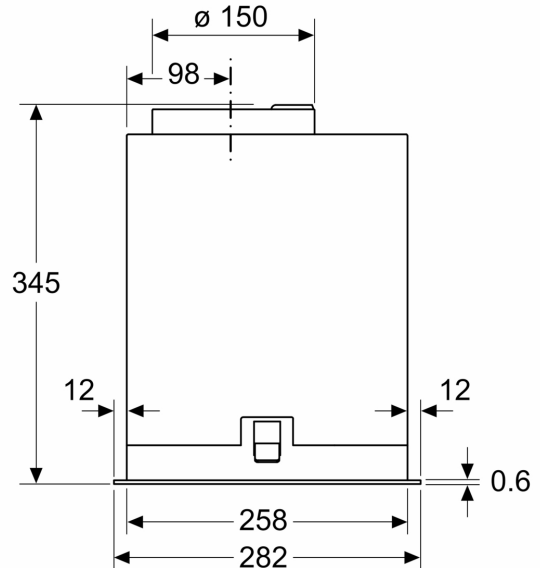
Technical Information:

**Series 8, integrated rangehood, 86 cm, Black
DLN88PC60A**

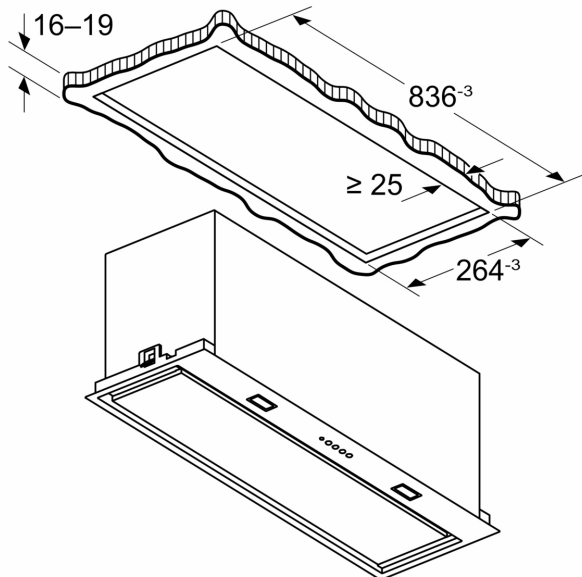
Measurements in mm



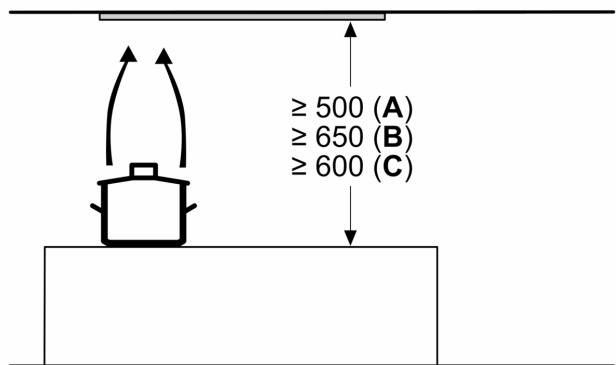
Measurements in mm



Measurements in mm



Measurements in mm



A: Electric

B: Gas - from upper edge of pan support

C: Electric - for Australia and New Zealand