

N 90, FLEX INDUCTION COOKTOP, 60 CM, FLEX DESIGN
T66YYY4COH



Z1365WX0 Wireless food thermometer, Z9301CO10 Connecting strip, Z9301CPAY0 Flex Design conn. trim hob+hob A.Grey, Z9301CPBY0 Flex Design conn. trim hob+hob B.Bronze, Z9301CPDY0 Flex Design conn. trim hob+hob D.Black, Z9301CPMY0 Flex Design conn. trim hob+hob M.Silver, Z9401FF0 Flex Pan, large, Z9401TY0 Teppan Yaki, Z9403FF0 Flex Pan set, 3 pcs., Z9404FF0 Flex Pan set, 4 pcs., Z9404SE0 4 pieces Set, Z9406SE0 6 pieces Set, Z9410ES0 Espresso maker 4 cups, Z9410X1 Stainless Steel roaster with glas lid, Z9415X1 Steaming Rack for Stainless Steel roaste, Z9416X2 Griddle Plate, Z9417X2 Teppan Yaki (large), Z9424CF0 Fry pan, coated 24cm Ø, Z9428CF0 Fry pan, coated 28cm Ø, Z9428FE0 Iron pan Ø 18 / 28 cm, Z943SE0 Set of 2 pots and 1 pan, Z9451X0 System pan diameter 15 cm, Z9453X0 System pan diameter 21cm, Z9455X0 System pan diameter 28 cm, Z9801TWAY0 Twist Pad Flex, Anthracite Grey, Z9801TWBY0 Twist Pad Flex, Brushed Bronze, Z9801TWDY0 Twist Pad Flex, Deep Black, Z9801TWMY0 Twist Pad Flex, Metallic Silver, Z9802PFAY0 Flex Design trims hob Anthracite Grey, Z9802PFBY0 Flex Design trims hob, Brushed Bronze, Z9802PFDY0 Flex Design trims hob Deep Black, Z9802PFMY0 Flex Design trims hob Metallic Silver

Flex Induction cooktop with Twist Pad Flex control and Flex Design.

- ✓ Twist Pad Flex® - An easy to spin dial for effortless control of your cooktop.
- ✓ Flex Design - Personalise your cooktop with separately selectable Twist Pad Flex® and frame elements.
- ✓ Frying Sensor Plus: Monitor the desired temperature and prevent burning.
- ✓ Intuitive Flex Zones: Your hob detects size, shape and position of your individual cookware.
- ✓ Home Connect - Monitor your cooktop via the App.

Product name/family: Cooking zone ceramic
 Built-in / Free-standing: Built-in
 Energy input: Electric
 Total number of positions that can be used at the same time: 4
 Required niche size for installation (HxWxD): 51 x 560-560 x 490-500 mm
 Width of the appliance: 614 mm
 Dimensions (HxWxD): 51x614x527 mm
 Dimensions of the packed product (HxWxD): . 126 x 753 x 608 mm
 Net weight: 12.7 kg
 Gross weight: 15.1 kg
 Residual heat indicator: separate
 Location of control panel: Front
 Basic surface material: Ceramic
 Color of surface: Black
 Color of frame: Choose from Brushed Bronze, Anthracite Grey, Deep Black or Metallic Silver
 Length electrical supply cord: 110.0 cm
 EAN code: 4242004283133
 Voltage: 220-240 V
 Frequency: 50; 60 Hz



N 90, FLEX INDUCTION COOKTOP, 60 CM, FLEX
DESIGN
T66YYY4COH

- 60 cm Cooktop Induction: space for 4 pots or pans. 60 cm: space for 4 pots

Flexibility of cooking zones

- 2 Flex Induction Zones with extended flex: use cookware of any shape or size anywhere within the 40cm long zone or even place it laterally.
- Cooking zone front left: 190 mm, 230 mm, 2.2 KW (max. power 3.7 KW)
- Cooking zone rear left: 190 mm, 230 mm, 2.2 KW (max. power 3.7 KW)
- Cooking zone rear right: 190 mm, 230 mm, 2.2 KW (max power 3.7 KW)
- Cooking zone front right: 190 mm, 230 mm, 2.2 KW (max. power 3.7 KW)

Cooking assistance

- Frying Sensor Plus sensor: choose from 11 predefined temperatures in a range from 70°C up to 220°C: prevents scorching with the automatic temperature regulation of the integrated sensor.
- Dish assistant: easily find the right temperature setting for a certain dish via the Home Connect app.

Usage convenience

- Twist Pad Flex® (select your favourite out of 4 colours): directly control the power with the removable magnetic knob.
- Light Dialog with two coloured display (white/red): see which cooking zone is heating and which function is in use on the two-coloured display.
- Favourite Button: directly access favourite functions with a configurable button (available with connected Home Connect account).
- 17 power levels for each cooking zone: precisely adapt the heat with 17 power levels (9 main levels and 8 intermediate levels).
- Keep warm, selectable via Favourite button/Home Connect App (expected availability in Q4/2024 via software update for appliances connected to Home Connect): keep dishes warm at preset low power level.
- Switch-off timer: switches off the cooking zone at the end of the time set (e.g. for boiled eggs).
- Count-down-timer (can be chosen instead of switch-off timer): an alarm sounds at the end of the time set (e.g. for pasta).
- Sound volume adaptable to personal preference and needs.

Time saving & efficiency

- Power Boost function for all cooking zones: boil water faster with up to 50% more power than at the highest standard level.
- Pan boost, selectable via Favourite button/Home Connect App (expected availability in Q4/2024 via software update for appliances connected to Home Connect): heat up pans more quickly than at the highest standard level while protecting the pan coating.
- Cooking zones will automatically join and separate based on the shape and size of the cookware placed.
- PowerTransfer: when moving a pot to a different cooking zone, transfer all previous settings to the new zone at the touch of a button.

- Automatic zone selection: when switched on, the cooktop automatically selects the cooking zone on which a new cookware is placed.
- When moving a pot on the Flex zone, the settings adjust instantly and the cooking zone adapts to the size of the cookware
- QuickStart: Quick and automatic first pot detection: when switching on, the cooktop automatically selects the cooking zone with cookware on it.
- ReStart function: in case of unintentional switch-off, restore all previous settings by switching on the cooktop again within 4 seconds.

Connectivity

- Remote Monitoring and Control: check if the cooktop is switched off even when not at home, and find recipes or additional functions in the Home Connect app.
- Cooktop-based rangehood control (with matching rangehood): automatically activates the rangehood when cooking, thanks to the WiFi connection of cooktop and suitable rangehood.
- Smart home trigger, via Favourite button (available with connected Home Connect account): open up the smart universe from your cooktop (partner service required).
- Updateable appliance (available with connected Home Connect account): easily keep your appliance up to date with the latest software.

Design

- Flex Design: exchangeable side trims (select your favourite out of 4 colours)
- Neff Collection exclusive zone printing: minimalistic design thanks to dark coloured zone printing.

Safety

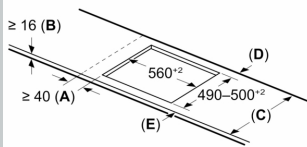
- Residual heat indicator (digital 2 stage: H/h): indicates which cooking zones are still hot or warm.
- Child safety lock: prevent unintended activation of the cooktop.
- Pause function: pause the heating process (e.g to answer the door).
- Main switch: switch off all cooking zones at the touch of a button.
- Automatic safety switch-off: for safety reasons, heating stops after a preset time without interaction.

Installation

- Dimensions of the product (HxWxD mm): 51 x 614 x 527
- Required niche size for installation (HxWxD mm) : 51 x 560 x (490 - 500)
- Min. worktop thickness: 16 mm
- Connected load: 7.4 KW
- Power cord: 1.1 m, Cable included

N 90, FLEX INDUCTION COOKTOP, 60 CM, FLEX DESIGN
T66YYY4C0H

Measurements in mm



A: Min. distance from the hob cut-out to the wall

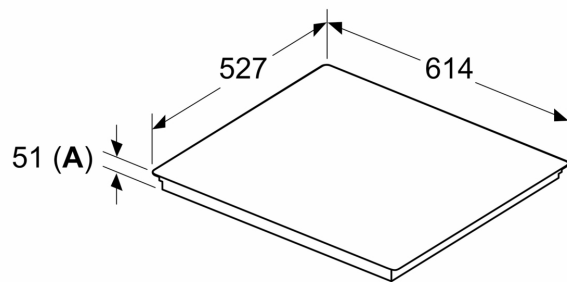
B: The clearance between the surface of the worktop and the top of the front of the oven must be 30 mm

See space requirements for the oven

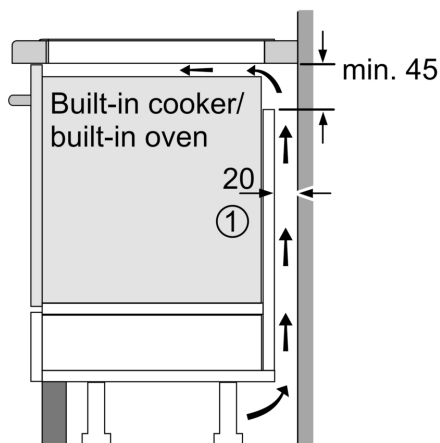
The worktop into which the hob is installed must withstand loads of approx. 60 kg; suitable substructures must be used if required

C	D	E
585-600	50	≥ 35
> 600	≥ 50	≥ 50

Measurements in mm

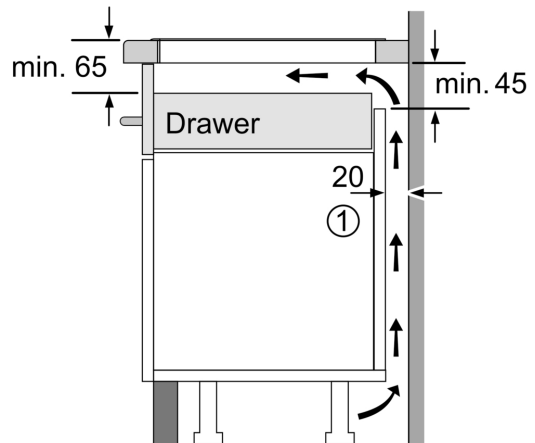


A: Recessed depth



① Ventilation gap must be present

All measurements in mm



① Ventilation gap must be present.

Measurements in mm

