

60cm 3 zone induction cooktop with ProCook function, Powerslide, FlexiBridge, touch slide controls, XL zone and Hob2Hood.

RRP AUS \$1,999.00



Product Details

FEATURES

FlexiBridge

FlexiBridge enables you to combine zones for large skillets or split zones when cooking more dishes.

PowerSlide

PowerSlide allows you to precisely control results by sliding pots between three temperatures zones.

Hob2Hood

Hob2Hood automatically adjusts your hood settings so you can focus on creating delicious dishes.

PowerBoost

PowerBoost provides quick, intense heat

Individual Zone Timers

The individual zone timers help you to plan your cooking when multi-tasking in the kitchen.

Heat memory

If cooking is interrupted, Heat Memory retains your hob settings for 120 seconds.

Pause Function

The pause function sets zones to the lowest setting to keep dishes warm and prevent overcooking.

Child lock

BENEFITS

CUSTOMISE YOUR COOKING AREA

The FlexiBridge is ideal for when youre working with large pans or preparing many dishes at the same time. Customise cooking area for a long pan or cook lots of dishes separately at different temperatures with this fully adaptable zone.

SLIDE FROM SEAR TO SIMMER

The PowerSlide function allows you to slide your pots between the three pre-set temperature zones so that you can easily control the cooking levels. This is ideal for bringing sauces to the boil, simmering and then keeping warm for delicious results.

A FRESHER KITCHEN. HANDS-FREE.

The wireless Hob2Hood function automatically adjusts your hood settings based on how you are cooking, leaving your hands free to focus on the food. The hood lights will automatically illuminate when your hob turns on and the fan speed will adjust depending on how powerfully you are cooking.

INSTANT BOIL

No more waiting around for pots to boil. PowerBoost provides an instant burst of heat that boils water in under 90 seconds, even faster than an electric kettle. Its perfect for high-heat tasks like boiling potatoes or searing steak.

SIMULTANEOUS TIMER CONTROL

Individual zone timers allow you to set the duration of your cooking zones independently of one another. When a cooking zone is in use, the control panel provides quick and easy access to its timer. No need to go through menus to find it. And since each dish can be precisely timed, absolute control of the cooking process is assured.

INTUITIVE, CONTINUOUS COOKING

Keep your cooking on course with Heat Memory. If the pot is lifted from the hob, or if spills occur, the intuitive user interface retains your current heat settings for 120 seconds, preventing the need to reset power. With Heat Memory, precise heat is continuously maintained to help create memorable meals.

WHY NOT HIT PAUSE

The pause function is useful if your cooking is interrupted. At the touch of a button all cooking zones will be reduced to the lowest heat setting to ensure dishes stay warm, but don't overcook.

Specifications

PRODUCT PROFILE

Domestic warranty details (yrs)	5
Cooktop type	induction
Materials/Colour	black ceramic glass
Removable trim (for cleaning)	No
Wok included designed to fit cooktop	No

DIMENSIONS

Total product height (mm)	48
Total product width (mm)	590
Total product depth (mm)	520
Cut out width (mm)	560
Cut out depth (mm)	490
Cut out height (mm)	44

CONTROLS

Controls of Cooktops	Touch and Slide controls
Position of controls	right front
Functions of Cooktops	acoustic signal,automatic switch off,AutoMax automatic heat up,timer,booster,pause,Hob2Hood,ProCook,FlexiBridge,PowerSlide,Child-lock
Indicators/display	fault indicator,3 level residual heat indicator
Features of Cooktop	minute minder,function lock,sound off,pot sensors,Hob2Hood Connectivity

ELEMENTS/BURNERS

LEFT FRONT ZONE

Left front zone	FlexiBridge
Left front Watts	2300
Left front boost watts	3200
Left front diameter mm	220

CONTROLS

Timer of Cooktop Oko timer,CountUp,Minute minder

LEFT REAR ZONE

Left rear zone FlexiBridge

Left rear watts 2300

Left rear diameter mm 220

RIGHT FRONT ZONE

Right front zone induction

Right front Watts 1800

Right front diameter mm 280

ELECTRICAL SPECIFICATIONS

Connected load KW 7.35

Type of connection hardwired

SHIPPING

Shipping Volume (m3) 0.048

Shipping Weight (Kg) 12.8

Pack Dimensions Height (mm) 118

Pack Dimension Width (mm) 678

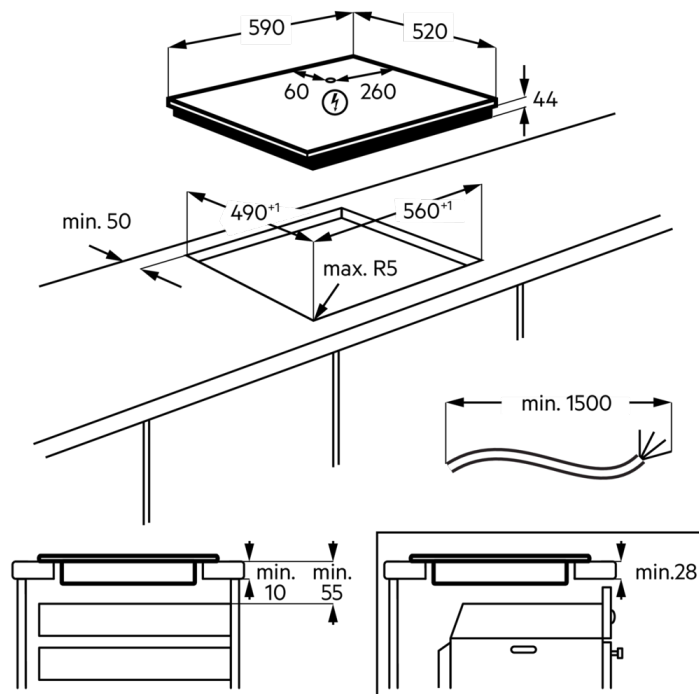
Pack Dimension Depth (mm) 600

Dimensions

AEG DIMENSION AND INSTALLATION GUIDE

6000 SERIES
 NII63R00FB
 60CM BUILT-IN INDUCTION HOB

Dimensions	Width (mm)	Height (mm)	Depth (mm)
Cut-out (mm)	560	44	490
Product (mm)	590	48	520



IMPORTANT
 These dimensions are a guide only. All measurements are in millimetres (mm).
 For complete installation instructions, refer to the manual provided with product.

© 2024 Electrolux S.E.A P.T.E. LTD. AEG_DIM_NII63R00FB_0124

Terms and Conditions

IMPORTANT

This is a guide of product dimensions only. For complete installation instructions, refer to the manual provided with product.

PRODUCT INFORMATION

The descriptors and illustrations in this publication apply to the specific products and models described as at the date of issue. Under our policy of continuous product development, product specifications may change without notice. Prospective purchasers should therefore check with their retailer to ensure this publication correctly describes the products that are being offered for sale. All information supplied is to be used for general reference purposes only and is on the understanding that Electrolux Home Products Pty Ltd (Australia) and Electrolux (NZ) Ltd (New Zealand) will not be liable for any loss, liability or damage of whatever kind arising as a result of reliance on such information. Colours of products illustrated are as close as printing limitations allow. Electrolux will at all times comply with its obligations pursuant to law including Trade Practices (Australian Consumer Law) Act and Regulations.

WARRANTY

Electrolux Home Products warrants that for domestic applications the AEG appliances featured are free from defects in materials and workmanship for 5 years (3 months warranty for commercial applications). All warranties are subject to the conditions set out in the warranty card accompanying the product when purchased.

ELECTROLUX HOME PRODUCTS AUSTRALIA

telephone: 1300 363 664

fax: 1800 350 067

email: customercare@aegaustralia.com.au

web: www.aeg.com/au

ELECTROLUX HOME PRODUCTS NEW ZEALAND

telephone: 0800 10 66 10

fax: 09 573 2221

email: customercare@electrolux.co.nz

web: www.aeg.com/au