

**Series 8, built-under dishwasher, 60 cm, Brushed steel anti-fingerprint SMU8ECS01A**



**Better drying results with an automatic door opening function during the end of the cycle.**

- **EfficientDry:** improved drying performance by automatic door opening.
- **Max Flex Pro baskets:** easy loading with protection for your dishes.
- **Third loading level for cutlery & utensils:** Provides extra loading flexibility and convenience for cutlery, cups, and large utensils.
- **The Silence plus dishwasher is pleasingly quiet at just 42 dB.**
- **Home Connect: home appliances with smart connectivity for an easier everyday life**

Maximum number of place settings: ..... 15  
 Water consumption in litres per cycle of the eco programme: ... 12.2 l  
 Built-in / Free-standing: ..... Built-in  
 Height of removable worktop: ..... 0 mm  
 Dimensions of the product (HxWxD): ..... 815 x 598 x 573 mm  
 Required niche size for installation (HxWxD): ..... 815-875 x 600 x 550 mm  
 Depth with open door 90 degree: ..... 1150 mm  
 Adjustable feet: ..... Yes - all from front  
 Maximum adjustability feet: ..... 60 mm  
 Adjustable plinth: ..... Both horizontal and vertical  
 Net weight: ..... 42.4 kg  
 Gross weight: ..... 44.5 kg  
 Connection rating: ..... 2400 W  
 Fuse protection: ..... 10 A  
 Voltage: ..... 220-240 V  
 Frequency: ..... 50; 60 Hz  
 Length electrical supply cord: ..... 175.0 cm  
 Plug type: ..... AU plug  
 Length inlet hose: ..... 165 cm  
 Length outlet hose: ..... 190 cm  
 EAN code: ..... 4242005457373  
 Installation typology: ..... Built-under

- SGZ0BI01 decorative strips stainless steel 81,5cm
- SGZ0IC00 Small Item Clip for upper rack
- SGZ1010 inlet and outlet hose extension
- SMZ2014 Rack insert for stemware dishwasher
- SMZ5000 Dishwashing aid set
- SMZ5002 Silver polishing cassette
- SMZ5150AU Kick panel stainless steel
- SMZ5300 GlassSecure Tray



## Series 8, built-under dishwasher, 60 cm, Brushed steel anti-fingerprint SMU8ECS01A

### Better drying results with an automatic door opening function during the end of the cycle.

#### Capacity

- Capacity: 15 place settings

#### Consumption rates

- 4 stars Star energy rating, 5,0 stars Star WELS water rating. D02925.
- 12.2 litres water consumption per wash and 245 kWh energy consumption per year, based on the Eco AU 45 °C program with a cold water connection

#### Design

- Stainless steel interior tub
- Anti-fingerprint stainless steel finish
- SoftTouch buttons: Electronic soft-touch activated buttons

#### Wash Programs and Options

- 8 Programmes:
- Eco Wash : Energy efficient wash & dry. Mixed loads & soil levels,
- Auto Intensive: for pots & pans and baked-on food & grease.,
- Auto wash: Wash & dry program for mixed loads and soil levels,
- Auto Gentle: Automatic wash & dry program for delicate and lightly soiled dishes,
- Quick 1h: quick wash & dry for mixed loads & soil levels,
- Express wash: Wash only for lightly soiled dishes,
- ExtraQuiet: extended quiet wash & dry program for mixed loads & soil levels,
- Favourite: set or download your favourite combination
- Special options:
- EfficientDry: Automatic door opening for improved drying and energy efficiency
- HygienePlus : Extended increased temperature program for hygienic cleaning
- SpeedPerfect : Reduce wash time even after cycle has started
- Machine Care: maintains your dishwasher's optimum performance and hygiene option
- Add-On function via Home Connect app: Silence on demand

#### Performance

- Efficient Dry Auto Door Opening: improved drying result via automatic door opening at end of cycle
- DosageAssist™: Maximises the effectiveness of detergent tablets. The tablet is dropped into a specially engineered tray and is completely dissolved. For superior cleaning performance and a quieter wash.
- AquaSensor™ technology: Regulates the water usage depending on the type and degree of soiling
- 5 Spray levels for maximum water contact and optimum wash results
- Extra Clean Zone: Provides an even better cleaning result for items placed directly over the three rotating nozzles in the top basket
- EcoSilence Drive® quiet and energy-efficient brushless motor (BLDC)

- BLDC Main Pump: Variable water & spray pressure to achieve optimum cleaning results
- BLDC Drain Pump: Fast and extra quiet draining of water, no gurgling sounds
- AutoBrilliance™: Automatic detergent and rinse aid sensor
- 3 stage self-cleaning filter system: design that helps reduce the need to wash the filter and prevents blockages

#### Flexibility

- VarioDrawer™ Pro: Third loading level for cutlery & utensils
- Basket system with red coloured touchpoints provides total flexibility for all loading requirements
- RackmaticPlus™: 3-stage top basket can be adjusted to three height levels to maximise convenience
- Low friction wheels on bottom basket
- Ball bearing on top basket for an easy glide
- 6 foldable plate racks in top basket
- 8 foldable plate racks in bottom basket
- 2 foldable cup shelves with soft silicone edges in top basket
- Rack Stopper to prevent derailing of bottom basket
- Anti-slip protection strips in upper rack
- Glass rack in lower basket for tall stemmed glasses
- Moveable cutlery basket in lower basket

#### Convenience

- Very quiet operation - 42 dB
- Time remaining display
- Time delay start: Delay program start time by 1-24 hours to suit your schedule
- HomeConnect via WiFi Connectivity
- Wash program status on display panel
- Large item spray head: For washing extra large items such as baking trays, Vapour barrier protection plate

#### Safety

- AquaStop™ Plus: Water supply device with lifetime anti-flood protection
- Button child lock

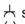
#### Product Dimensions (H x W x D)

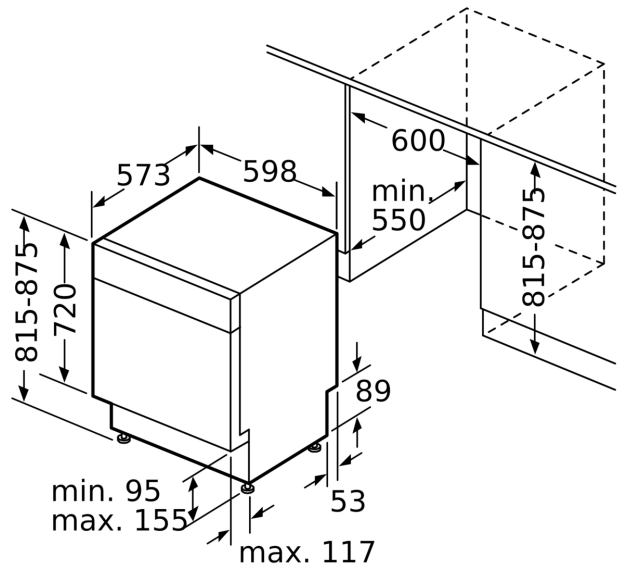
- Height 815-875 mm x Width 598 mm x Depth 573 mm
- 12.2 l water consumption per wash based on Cold water connection, using Eco Wash program. In accordance with AS/NZS 6400

**Series 8, built-under dishwasher, 60 cm, Brushed steel anti-fingerprint SMU8ECS01A**

measurements in mm



 socket  
 ( ) values with extension kit



measurements in m