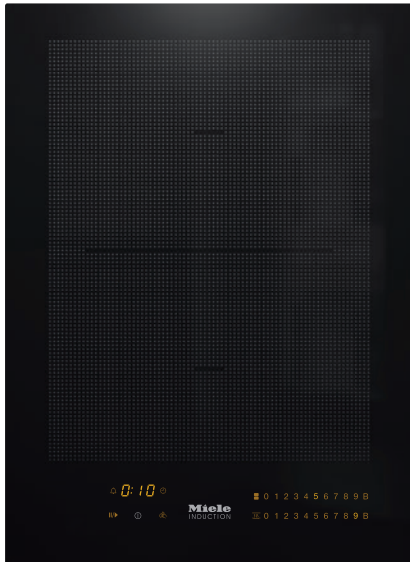


CS 7612 FL  
SmartLine element  
with induction PowerFlex cooking zone

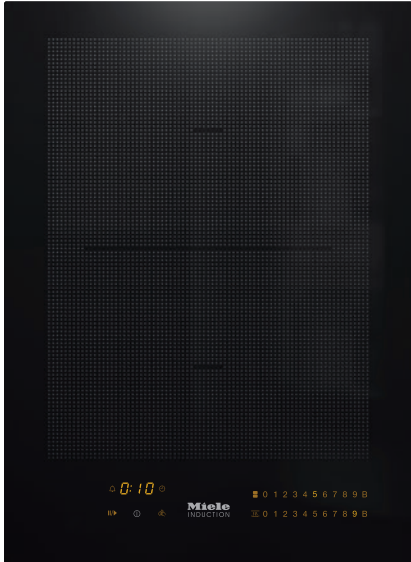


- Intuitive quick selection via number sequences – Smart Select
- Elegant design – for flush or raised installation
- Seamlessly integrates with any SmartLine element
- Versatile and fast – 2 cooking zones incl. 1 PowerFlex area
- Shortest heating-up times – TwinBooster

EAN: 4002515893036 / Material number: 10684390 / Old Material Number: 27761250GB

<b>Heating type</b>	
Heating type	Induction
<b>Construction type</b>	
SmartLine	•
<b>Design</b>	
Elegant glass ceramic surface	•
Flush	•
Ceramic surface colour	Black
Surface-mounted installation	•
<b>Cooking zone details</b>	
Number of cooking zones	2
<b>PowerFlex cooking zones</b>	
No.	2
Diameter in mm	Ø 150 – 230
Rating in W	2100
Booster in W	3000
TwinBooster in W	3650
<b>1st cooking zone/cooking area</b>	
Position	Centred
Type	PowerFlex
Size in mm	230x390
Max. Booster power rating in W	3000
Max. rating in W	2100
Max. TwinBooster power rating in W	3650
<b>User convenience</b>	
Operation via sensor controls	Smart Select
Pan and pan size recognition	•
Display colour	Yellow
Auto heat-up	•
Permanent pan recognition	•
Keeping warm	•
Stop & Go function	•
Recall function	•
Minute minder	•
Safety switch-off	•
Individual setting options (e.g. buzzers)	•
<b>Cleaning convenience</b>	
Easy to clean ceramic glass	•
Wipe protection	•
<b>Safety</b>	
Safety switch-off	•
Lock function	•
System lock	•
Integrated cooling fan	•
Overheating protection	•
Residual heat indicator	•
<b>Technical data</b>	
Dimensions (H x W x D) in mm	51 x 378 x 520
Dimensions in mm (width)	378
Dimensions in mm (height)	51

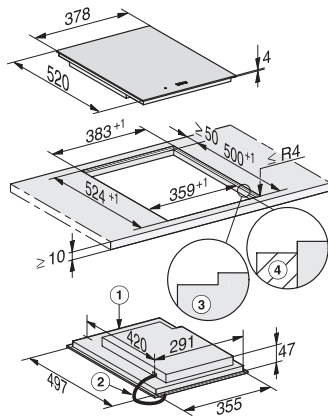
CS 7612 FL  
SmartLine element  
with induction PowerFlex cooking zone



EAN: 4002515893036 / Material number: 10684390 / Old Material Number: 27761250GB

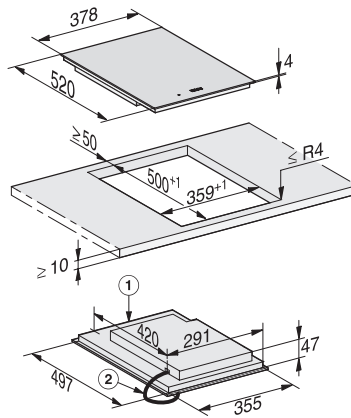
Dimensions in mm (depth)	520
Cut-out dimensions (W x D) with flush-fit installation in mm	358/382 x 500/524
Cutout dimensions in mm (width) with surface-mounted installation	358
Casing height incl. connection box in mm	51
Cutout dimensions in mm (depth) with surface-mounted installation	500
Internal cutout dimensions in mm (width) with flush installation	358
Internal cutout dimensions in mm (depth) with flush installation	500
Weight in kg	7
External cutout dimensions in mm (width) with flush installation	382
External cutout dimensions in mm (depth) with flush installation	524
Total rated load in kW	3.60
Length of supply lead in m	1.4
Voltage in V	230
Frequency in Hz	50-60
<b>Accessories supplied</b>	
Mains cable with plug	Yes

CS 7612 FL  
SmartLine element  
with induction PowerFlex cooking zone



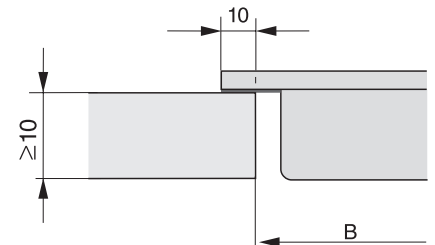
CS7612FL, flush (installation drawing)

1) Front, 2) Mains connection cable, L = 2000 mm, 3) Stepped cut-out, 4) Wooden Frame 12 mm (supplied loose),

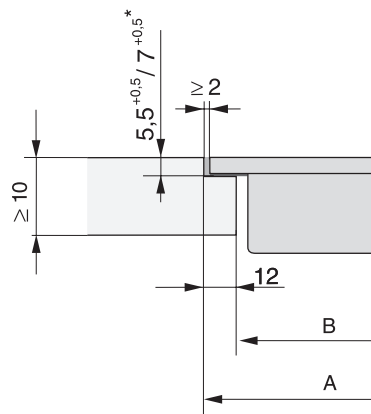


CS7612FL, (installation drawing)

1) Front, 2) Mains connection cable, L = 2000 mm

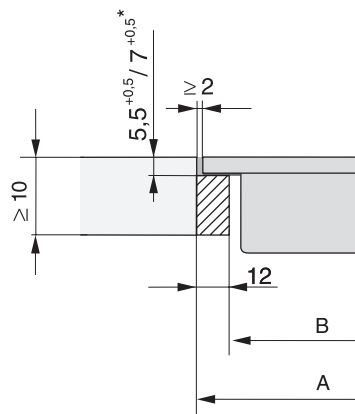


CS 7000 FL (Installation drawing)



CS 7000 FL, flush (Installation drawing)

\*7+0,5 = CS7611 (Wok)



CS 7000 FL, flush (Installation drawing)

\*7+0,5 = CS7611 (Wok)