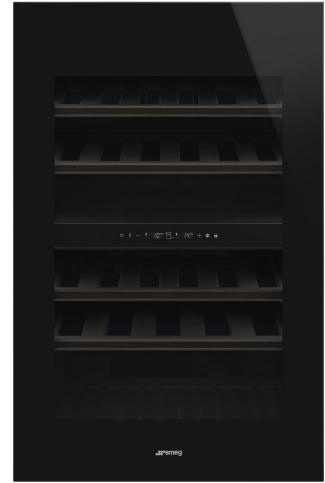


# CVI040BE



<b>Family</b>	Wine Cooler
<b>Installation</b>	Built-in
<b>Built-In Niche</b>	88 cm
<b>Reference width</b>	Until 60
<b>Reference height</b>	Until 100
<b>Defrost</b>	Automatic
<b>Cooling type</b>	Fan assisted
<b>Hinge type</b>	Variable hinge
<b>Hinge position</b>	Right
<b>Reversible door</b>	Yes



## Wine cellar compartment features



<b>Number of fixed shelves</b>	1
<b>Number of removable shelves</b>	4
<b>Number of removable and folding shelves</b>	1
<b>No. of lights</b>	4
<b>Shelves material</b>	Wood
<b>Removable shelves on telescopic guide rails</b>	Yes
<b>Type of internal light</b>	Led activated with EMOTION system
<b>Air filter</b>	Activated charcoal filter

## Programs/Functions



<b>Control setting</b>	Touch control	<b>Control lock</b>	Yes
<b>Controls</b>	Inner, in the cellar compartment	<b>Lighting forced ON</b>	In a maximum period
<b>Display</b>	LED	<b>Fan forced ON</b>	Yes
<b>Functions display</b>	Temperature alarm, Demo Mode, Temperature value	<b>Temperature Alarm</b>	Yes
<b>Power on lamp</b>	Yes	<b>Door open alarm</b>	Yes

## Technical Features



<b>Adjustable temperature zones</b>	2	<b>Number of compressors</b>	1
-------------------------------------	---	------------------------------	---

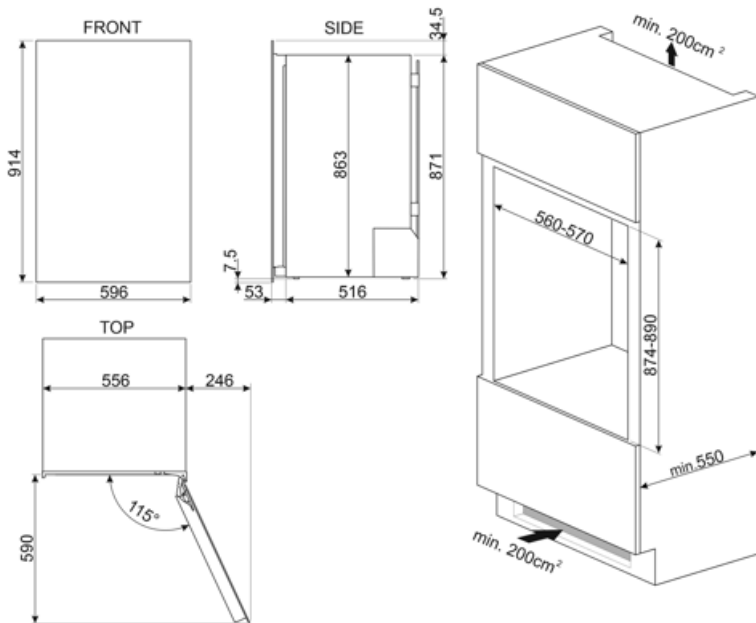
<b>Independent cooling systems</b>	2	<b>Compressor type</b>	Low vibration compressor
<b>Number of door glasses</b>	3	<b>Refrigerant gas type</b>	R600a
<b>Temperature range</b>	5-20 °C	<b>Refrigerant Quantity (gr)</b>	26 g
<b>Type of temperature control</b>	Electronic	<b>Foam agent</b>	HFO
<b>Anti-UV door glass</b>	Yes	<b>Metal panel on the back of the fridge</b>	Metal
<b>Integrated heating element</b>	Yes	<b>Door opening type</b>	With E MOTION electronic opening system

## Performance / Energy Label - Reg. 2019

<b>Max Capacity (bottles 0,75lt)</b>	40	<b>Sum of the volumes of the chill compartment(s) and the unfrozen compartment(s)</b>	126 l
<b>Annual energy consumption</b>	147 kWh/a	<b>Climate class</b>	SN, N, ST
<b>Energy efficiency class</b>	G	<b>EEl</b>	171 %
<b>Airborne acoustical noise emission class</b>	C	<b>Noise level</b>	38 dB(A) re 1 pW
<b>Total net volume</b>	126 l		

## Electrical Connection

<b>Plug</b>	(F;E) Schuko	<b>Voltage (V)</b>	220-240 V
<b>Electrical connection rating</b>	65 W	<b>Frequency (Hz)</b>	50 Hz
<b>Current</b>	0.3 A	<b>Power supply cable length</b>	150 cm



---

## Not included accessories

---

KIT040BE



## Symbols glossary



A



The automatic defrost system works by automatically defrosting at regular intervals eliminating the need to defrost altogether.



LED display: to show programmes, functions and options selected and the time to the end of the cycle.



Ventilated: Forced distribution of cold air in the refrigerator compartment, which allows even temperature distribution within the fridge.



LED interior lighting: is a more energy efficient and long lasting way of illuminating the interior of the appliance.



Built-in niche



Touch controls: Easy to use touch controls allow the appliance to be programmed at the touch of a button.



Energy efficiency class G



E MOTION opening system: the E MOTION electronic system allows to open the appliance semi-automatically by applying pressure on the door surface.