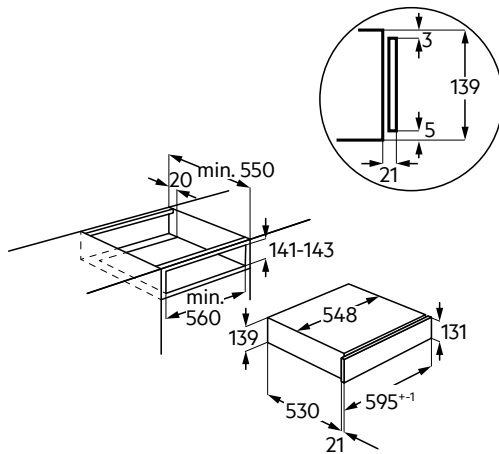


OD8K11T

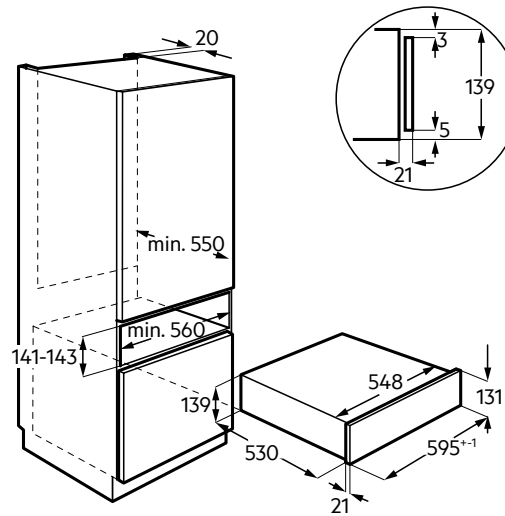
60CM BUILT-IN WARMING DRAWER

Dimensions	Width (mm)	Height (mm)	Depth (mm)
Cut-out (mm)	560	141	550
Product (mm)	596	139	530

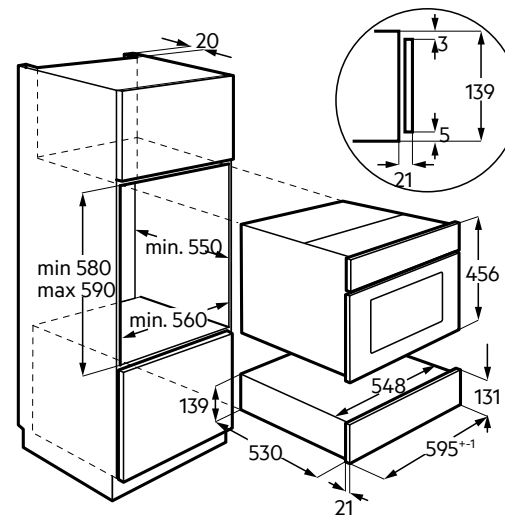
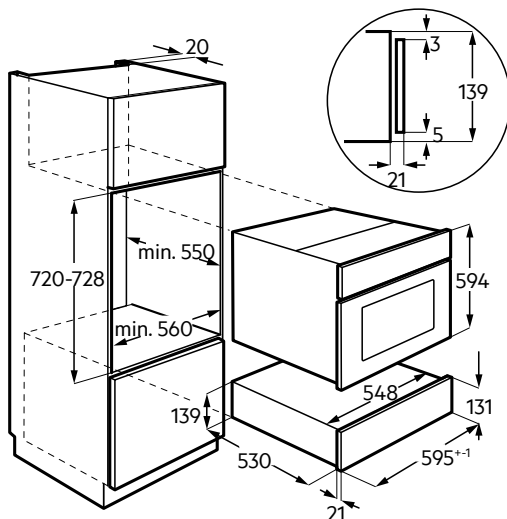
UNDERBENCH



CABINET



CABINET WITH OVEN



IMPORTANT

These dimensions are a guide only. All measurements are in millimetres (mm).
For complete installation instructions, refer to the manual provided with product.