

**Series 6, washer dryer, 10/5 kg, 1400 rpm
WNA254U1AU**



The washer dryer with Hygiene and AntiStain solutions effectively remove germs, bacteria and stains. It dries as efficiently as it washes, up to 5kg in one go.

- **Wash & Dry 60:** Wash and dry efficiently small loads in just 60 min.
- **AntiStain:** Reliably removes 4 common stains.
- **Active Water Plus:** For highly efficient use of water even with small loads thanks to automatic load detection.

Technical Data

Built-in / Free-standing : Freestanding

Removable top : No

Door hinge : Left

Length electrical supply cord : 160 cm

Dimensions of the product : 848x598x590 mm

Net weight : 81.6 kg

Drum volume : 65 l

EAN code : 4242005246199

Connection Rating : 2300 W

Voltage : 220-240 V

Frequency : 50 Hz

Energy consumption (wash and dry of full wash load) : 7.00

kWh

Energy consumption (wash only) : 0.84 kWh

Water consumption (wash and dry full wash load) : 143 l



4 242005 246199

Series 6, washer dryer, 10/5 kg, 1400 rpm WNA254U1AU

The washer dryer with Hygiene and AntiStain solutions effectively remove germs, bacteria and stains. It dries as efficiently as it washes, up to 5kg in one go.

Capacity

- Capacity: 10 kg washing and 5 kg drying

Consumption rates

- 4.5 Energy Star Rating for washing performance
- 4.5 Water Star rating for washing performance
- Water consumption 86 l litres per wash. Using the Cottons Eco program at 60°C with 1400 RPM spin speed. In accordance with AS/NZS 6400. Actual water consumption will depend on how the appliance is used. AU WELS Registration Number: C01966.
- 3 Energy Star, Excellent Energy Efficiency and Drying Performance, 43 litres of water used in the drying cycle when drying a 5 kg load.
- Energy consumption 191 kWh Intensive Dry, Cupboard Dry used once per week. When tested in accordance with AS/NZS 2442.2. Actual energy use and running costs will depend on how you use the appliance.

Programs

- Standard programs:
 - Cottons: hard-wearing items made from cotton, linen or blended fabrics
 - Cotton Eco: energy-saving program
 - Easy care: items made from synthetic or blended fabrics
 - Delicate/Silk: Delicate, washable items made from Silk, viscose and synthetics
 - Wool: hand or machine washable items that are made from wool or contain wool
- Specialty washing programs:
 - Quilt/Down Wear: items stuffed with down and synthetic fibres, such as pillows, quilts and bedspreads
 - SuperQuick 15': extra short program suitable for small lightly soiled items
 - Hygiene Care: for items that need to be hygienically clean, hot hair pretreatment followed by a low temperature washing cycle
 - Mixed: lightly soiled items made from cotton, linen, or blended fabrics
 - Spin/Drain: spins and drains the water
 - Rinse: rinses and then spins the laundry, and then drains the water
- Specialty drying programs:
 - Refresh: remove odour and reduce wrinkles for items that do not need frequent washing; wool, linen, and suits
 - Intensive Dry: drying program with three desired dryless level options: Cupboard Dry / Cupboard Dry Plus / Iron Dry
 - My Drying Time: set your own drying program length (20-120 minutes) for mixed fabrics
 - Wash & Dry 60': short washing and drying program for small lightly soiled items

Performance

- Automatic stain removal system with 4 stain options - activatable with standard programs. Simply select the type of stain on the display and then the temperature, drum movement and soaking time will automatically adjust to the optimal settings
- ActiveWater Plus highly efficient water management technology automatically detects the exact load to determine the most efficient water flow possible
- EcoSilence Drive: quiet, durable, and energy-efficient brushless motor (BLDC) with 10-year motor warranty
- SelfCleaning Condenser: the condenser automatically cleans itself and does not require any manual cleaning. This also helps to ensure the dryer performs economically with optimal energy efficiency
- VarioSoft drum: thorough yet gentle washing thanks to the unique drum structure design
- 400 - 1400 rpm spin speed

Design

- Large LED display for program status, temperature, spin speed, and time remaining
- AntiVibration Side Panels reduce vibrations and noise levels, making it extremely quiet during the spin cycle

Features

- Touch control option settings:
 - Easy Iron: reduces creasing thanks to a special spin sequence
 - Prewash options for stubborn stains and heavily soiled garments
 - Spin Speed: manually adjust the spin speed
 - AntiStain: Selection options of Grass, Red Wine, Oil/Butter and Blood
 - Temperature selection: manually adjust the temperature
 - SpeedPerfect: reduce cleaning time by up to 65%
- Selected washing programs can have a drying cycle added, resulting in a wash and dry program in one go. Simply select a wash program and then press the Dry button and select the target drying result; Cupboard Dry / Cupboard Dry Plus / Iron Dry
- Reload function to pause machine operation for adding in last minute laundry items
- SpeedPerfect: perfectly clean in up to 65% less time.
- Large porthole, chrome, blackgrey with 165° door for easy loading/unloading

Safety

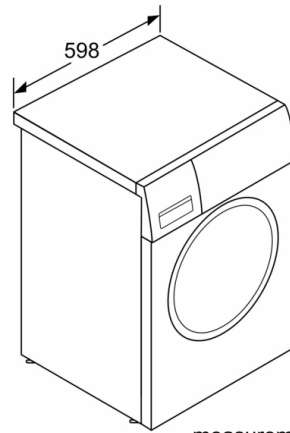
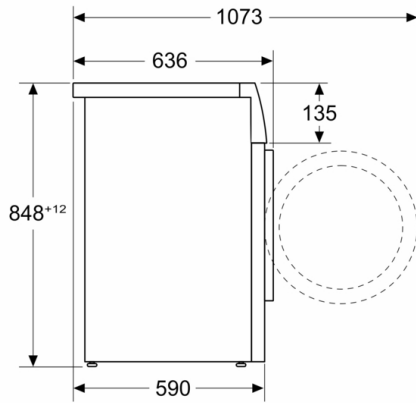
- Aqua Protection Plus anti-flood protection with self-sealing hose, minimises the risk of flooding
- Child safety control lock

Technical Information

- Dimensions (H x W x D): 84.8 cm x 59.8 cm x 59 cm (63.5 cm including door handle)
- Operating noise level (based on Cotton 60°C program): wash 52 / spin 74 / dry 59 dB

**Series 6, washer dryer, 10/5 kg, 1400 rpm
WNA254U1AU**

Measurements in mm



measurements in mm