

**Series 4, Slideout rangehood, 60 cm,  
Silver metallic  
DFS067A51A**



**Slideout rangehood: barely visible  
integrated in the wall unit, this ensures a  
sleek and clear kitchen finish.**

- **EcoSilence Drive™**: the powerful, energy-saving drive for hoods.
- **LED lighting**: for perfect, energy-efficient illumination of the cooktop.
- **Intensive speed setting**: removes strong kitchen odours especially quickly and effectively.
- With exhaust, the air is cleaned by a grease filter and then ducted to the outside which ensures optimal kitchen air quality.
- Dishwasher-safe metal grease filters for easy cleaning.

---

**Technical Data**

Typology : Pull-out

Length electrical supply cord : 175 cm

Min. required niche size for installation (HxWxD) : 385mm x 524.0mm x 290mm mm

Minimum distance above an electric cooktop : 430 mm

Minimum distance above a gas cooktop : 650 mm

Net weight : 10.4 kg

Type of control : Electronic

Number of power settings : 3-stages + intensive setting

Maximum output air extraction : 399 m<sup>3</sup>/h

Boost position output recirculating : 628 m<sup>3</sup>/h

Maximum output recirculating air : 358 m<sup>3</sup>/h

Boost position air extraction : 728 m<sup>3</sup>/h

Number of lights : 2

Noise level : 53 dB(A) re 1 pW

Diameter of air outlet : 120 / 150 mm

Grease filter material : Washable stainless steel

EAN code : 4242005252442

Connection Rating : 144 W

Fuse protection : 10 A

Voltage : 220-240 V

Frequency : 50; 60 Hz

Plug type : AU plug

Installation type : Built-in



**Series 4, Slideout rangehood, 60 cm, Silver metallic  
DFS067A51A**

**Consumption Data**

- Average Energy Consumption: 37.9 kWh/year
- Power rating: 144 W

**Slideout rangehood: barely visible integrated in the wall unit, this ensures a sleek and clear kitchen finish.**

---

- Appliance width: 598 mm
- Install into a 60cm wide wall cupboard
- Ducted and recirculated-air operation
- Accessory required for recirculation mode: Standard recirculation kit

**Design**

- Appliance colour: Steel body, metallic finish

**Comfort**

- Electronic controls with low-lift push buttons
- Push button controls (3 power settings plus intensive setting) with Electronic display
- Push button controls for power and light
- 3 power settings plus intensive setting
- Intensive operation automatic revert - 6min
- Automatic run on - 10 min
- 2 x 1.5W LED
- Colour Temperature: 3500 K

**Cleaning**

- Stainless steel filter covers, dishwasher safe
- Dishwasher safe metal grease filters

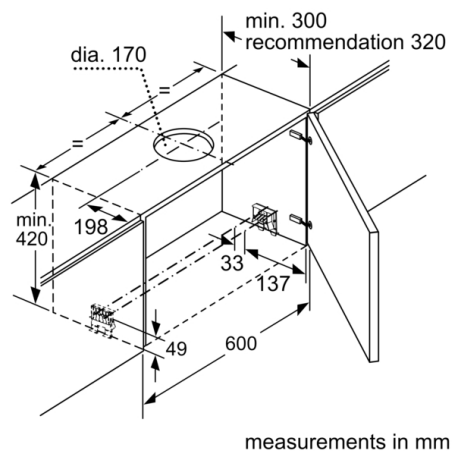
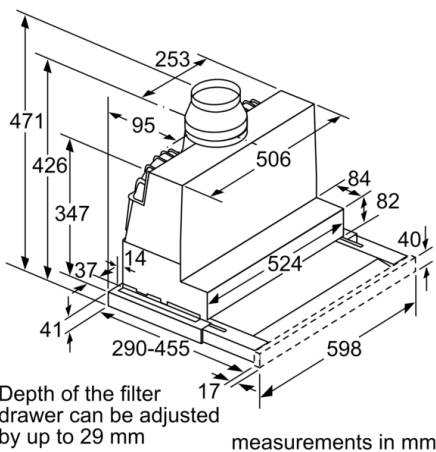
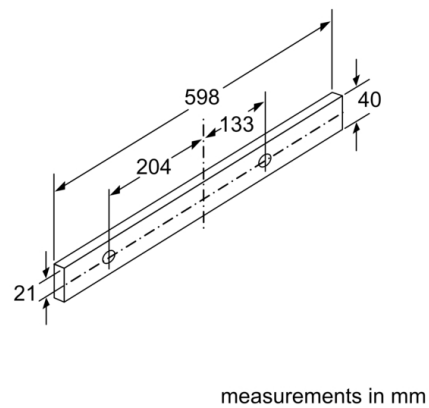
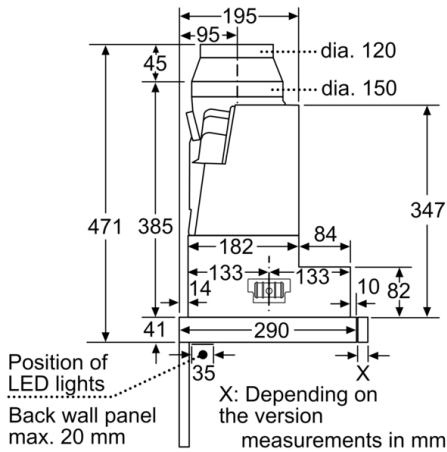
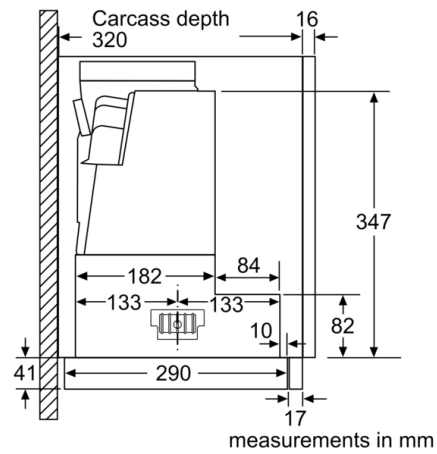
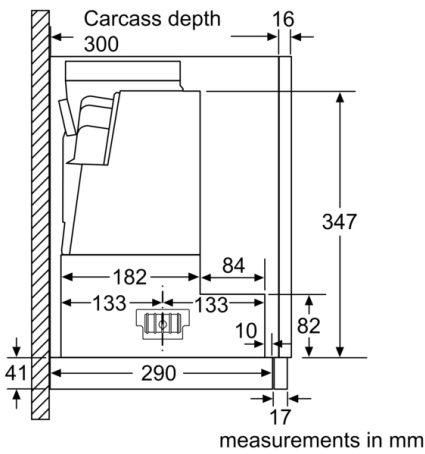
**Performance**

- Extraction rate according to EN 61591  $\varnothing$  15 cm:  
max. Normal use 399m<sup>3</sup>/h  
Intensive 728 m<sup>3</sup>/h
- Extraction rate exhaust air according to EN 61591: max. 728 m<sup>3</sup>/h
- Noise min./max. Normal Level: 41/53 dB
- 2 high-performance fans, Efficient BLDC-technology
- Efficient BLDC-technology

**Planning and installation information**

- Easy installation system
- Appliance dimensions (HxWxD): 426 x 598 x 290 mm
- Built-in dimensions (HxWxD): 385 x 524 x 290 mm
- Diameter pipe  $\varnothing$  150 mm ( $\varnothing$  120 mm enclosed)
- Electrical cable length 1.75 m

**Series 4, Slideout rangehood, 60 cm, Silver metallic**  
**DFS067A51A**



**Series 4, Slideout rangehood, 60 cm, Silver  
metallic  
DFS067A51A**

