

Series 6, Built-in oven with added steam function, 60 x 60 cm, Black HRG572EB3A



HEZ915003 Glass roasting dish, 5,4 L, HEZ327000 Pizza stone, HEZ32WA00 Wireless food thermometer, HEZ531010 Baking tray, non-stick ceramic coated, HEZ532010 Universal pan, non-stick ceramic coated, HEZ538000 1fold telescopic rail, level independent, HEZ617000 Pizza pan, enamelled, HEZ629070 Air Fry & Grill tray, HEZ631070 Baking tray, enamelled, HEZ632070 Multipurpose pan, enamelled, HEZ633001 Lid for professional pan, enamelled, HEZ633070 Professional pan with grid, enamelled, HEZ633073 Professional pan, enamelled, HEZ634000 Baking and roasting grid, HEZ636000 Glass pan, HEZ638000 Full ext rails, level independent, HEZ660060 Strip

Healthy cooking: Air Fry Function for perfectly fried foods with hardly any oil, pyrolytic self-cleaning and Added Steam.

- **Added Steam:** by adding steam, foods turn out crispy on the outside and juicy on the inside.
- **LED Touch Control:** simple access to heating modes, temperature and extra functions via touch buttons.
- **AutoPilot 15:** every dish is a perfect success thanks to 15 pre-set automatic programs.
- **3D Hotair:** even heat distribution for perfect results on up to three levels.
- **Pyrolytic self-cleaning:** less cleaning effort thanks to automatic self-cleaning.

Color / Material Front:	Black
Built-in / Free-standing:	Built-in
Door opening:	Drop down
Integrated Cleaning system:	Pyrolytic+Hydrolytic
Control Panel Material:	Glass
Door Material:	Glass
Dimensions:	595x594x548 mm
Dimensions of the packed product (HxWxD):	675 x 660 x 690 mm
Required niche size for installation (HxWxD):	585-595 x 560-568 x 550 mm
Cavity dimensions:	357 x 480 x 415 mm
Usable volume of cavity:	71 l
Number of interior lights:	1
Net weight:	38.9 kg
Gross weight:	40.6 kg
EAN code:	4242005465774
Connection rating:	3600 W
Fuse protection:	16 A
Voltage:	220-240 V
Frequency:	50; 60 Hz
Length electrical supply cord:	120.0 cm



Series 6, Built-in oven with added steam function, 60 x 60 cm, Black HRG572EB3A

Healthy cooking: Air Fry Function for perfectly fried foods with hardly any oil, pyrolytic self-cleaning and Added Steam.

Heating Functions

- Oven with 8 heating methods:
- Air Fry
- Full width grill Hotair gentle 3D Hotair Top/Bottom heating Pizza setting Hot-air grilling with steam:
- Combination steam
- Additional functions:
- descaling programme
- Temperature range 30 °C - 275 °C
- Cavity volume: 71 l

Design

- Touch control
- Anthracite enamel cavity with 5 shelf positions
- Extra large capacity oven

Racks and Rails

- Number of shelf levels: 5
- Telescopic rails: 1 level telescopic shelf, standard extension, safety stop function

Cleaning

- Pyrolytic cleaning function
- Easy Clean cleaning program
- Full glass inner door - safe touch door

Convenience

- Electronic clock/timer with end time programming
- AutoPilot Automatic programming, 15 PC automatic programs
- Automatic Temperature control for each function
- Temperature control indicator AutoPilot Automatic programming
- Built in cooking functions: Automatic programs
- SoftMove oven door with soft close, Drop down oven door with SoftOpen and SoftClose, Bottom hinged door
- Stainless steel bar handle
- Automatic rapid heat function
- Switch for oven illumination, Halogen lighting
- Water tank empty indicator
- LED-touch control (red/white)
- There are 3 different selectable added steam levels: steam level low
- Cooling fan

Accessories

- Air Fry & Grill tray, combination grid, universal pan

Safety Features

- Low door temperature during pyrolytic cleaning
- Quadruple glass door panel glazed, Low door temperature when in use.
- Child lock

- Automatic switch off Start button Door lock

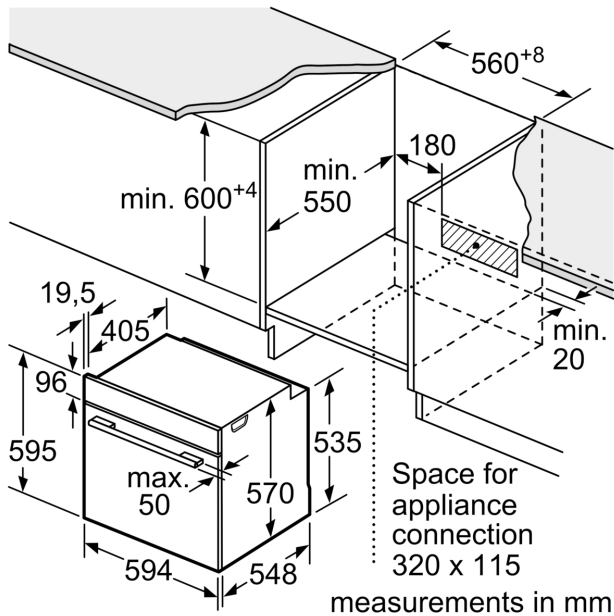
Technical Information

- Length of mains cable: 120 cm
- Nominal voltage: 220 - 240 V
- Total connected load electric: 3.6 KW

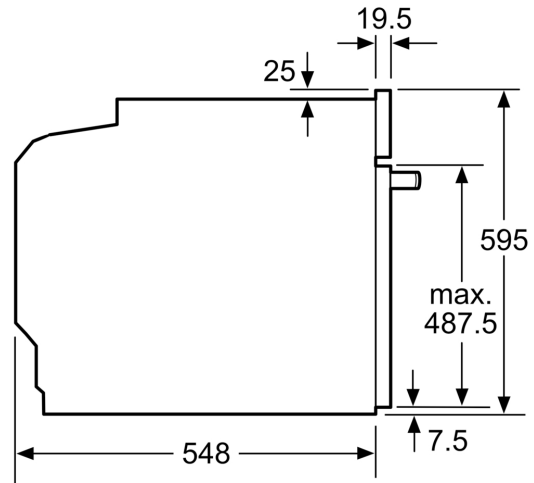
Dimensions:

- Appliance dimension (HxWxD): 595 mm x 594 mm x 548 mm
- Installation dimensions (HxWxD): 585 mm - 595 mm x 560 mm - 568 mm x 550 mm
- Please reference the built-in dimensions provided in the installation drawing

Series 6, Built-in oven with added steam function, 60 x 60 cm, Black HRG572EB3A

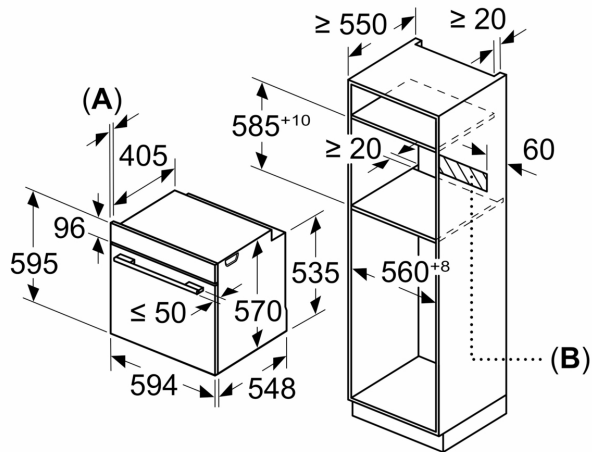


measurements in mm



measurements in mm

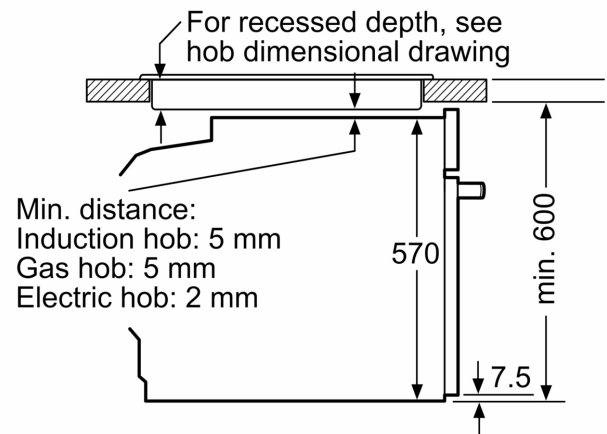
Measurements in mm



A: 19.5 mm

B: Space for appliance connection 320 x 115 mm

Installation with a hob.



measurements in mm