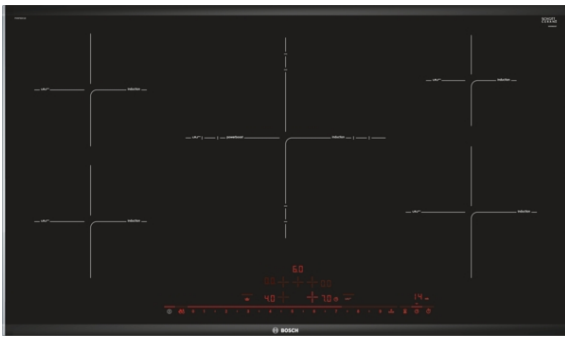


**Series 8, Induction cooktop, 90 cm,
Black,
PIV975DC1E**



Optional accessories

HEZ390090 : Wok Set consisting of 3 Items

**The induction cooktop with PerfectFry:
achieve perfect frying results thanks to
automatic temperature control.**

- **DirectSelect Premium:** spacious and intuitive touch interface.
- **PerfectFry:** no more worries about scorching.
- **PowerBoost:** up to 50% more power for faster heating on your induction cooktop.
- **ReStart:** if something boils over, the cooktop automatically turns itself off and saves the last selected setting.
- **Timer with switch-off function:** Conveniently turns off the assigned cooking zone after the set time.

Technical Data

Product name/family : Cooking zone ceramic

Construction type : Built-in

Energy input : Electric

Total number of positions that can be used at the same time : 5

Required niche size for installation (HxWxD) : 51 x 880-880 x 490-500 mm

Width of the appliance : 916 mm

Dimensions (HxWxD) : 51 x 916 x 527 mm

Dimensions of the packed product (HxWxD) : 126 x 1073 x 603 mm

Net weight : 20.7 kg

Gross weight : 22.5 kg

Residual heat indicator : separate

Location of control panel : Hob front

Basic surface material : Ceramic

Color of surface : Black

Approval certificates : AENOR, CE

Length electrical supply cord : 110 cm

EAN code : 4242002838854

Electrical connection rating : 11100 W

Voltage : 220-240 V

Frequency : 50; 60 Hz



Series 8, Induction cooktop, 90 cm, Black, PIV975DC1E

The induction cooktop with PerfectFry: achieve perfect frying results thanks to automatic temperature control.

- 90 cm: space for 5 pots or pans.

Flexibility of cooking zones

- Ring zone triple: use regular up to extra large cookware (e.g. paella pans) on the expandable cooking zone.
- Cooking zone front left: 180 mm, 1.8 KW (max. power 3.1 KW)
- Cooking zone rear left: 180 mm, 1.8 KW (max. power 3.1 KW)
- Cooking zone middle: 210 mm, 260 mm, 320 mm, 3.3 KW (max. power 3.7 KW)
- Cooking zone rear right: 145 mm, 1.4 KW (max power 2.2 KW)
- Cooking zone front right: 210 mm, 2.2 KW (max. power 3.7 KW)

Usage convenience

- Direct Select Premium Touch Control: directly control the power on the extra large illuminated touch bar (invisible when switched off).
- 17 power levels for each cooking zone: precisely adapt the heat with 17 power levels (9 main levels and 8 intermediate levels).
- Keep warm function - low setting for keeping food warm at the touch of a button: keep dishes warm at preset low power level.
- Timer with automatic switch off for all zones : switches off the cooking zone at the end of the time set (e.g. for boiled eggs).
- Alarm: an alarm sounds at the end of the time set (e.g. for pasta).
- Count-up timer: shows how much time has passed since starting the timer (e.g. for potatoes).

Time saving & efficiency

- PowerBoost function - reduce the time to heat up large quantities of water: boil water more quickly thanks to 50% more energy than at the highest standard level.
- ShortBoost function - reduce the time to heat up pans: heat up pans more quickly than at the highest standard level while protecting the pan coating.
- QuickStart - Quick and automatic first pot detection: when switching on, the cooktop automatically selects the cooking zone with cookware (placed in off-mode).
- ReStart - Quickly reinstates previous settings: in case of unintentional switch-off, restore all previous settings by switching on the cooktop again within 4 seconds.

Cooking assistance

- FryingSensor with 5 temperature settings: prevents scorching with the automatic temperature regulation of the integrated sensor.

Design

- Stainless steel side profiles with beveled front

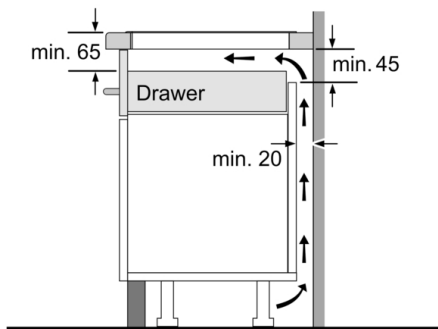
Safety

- Digital 2-stage residual heat indicator: indicates which cooking zones are still hot or warm.
- Childproof lock: prevent unintended activation of the cooktop.
- WipeProtection: wipe overboiled liquids without unintentionally changing settings (blocking all touch buttons for 30 seconds).
- Main switch: switch off all cooking zones at the touch of a button.
- Automatic safety switch-off: for safety reasons, heating stops after a preset time without interaction (customisable).
- Energy consumption display: shows the electricity consumption of the last cooking process.

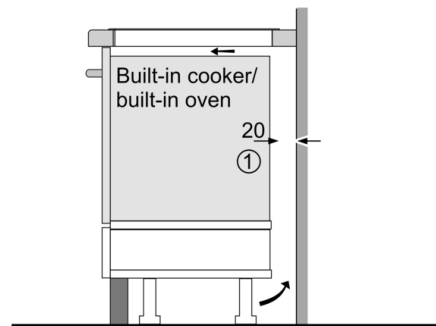
Installation

- Dimensions of the product (HxWxD mm): 51 x 916 x 527
- Required niche size for installation (HxWxD mm) : 51 x 880 x (490 - 500)
- Min. worktop thickness: 16 mm
- Connected load: 11.1 KW
- PowerManagement Function: limit the maximum power if needed (depends on fuse protection of electric installation).
- Power cord: 1.1 m, Cable included

Series 8, Induction cooktop, 90 cm, Black, PIV975DC1E

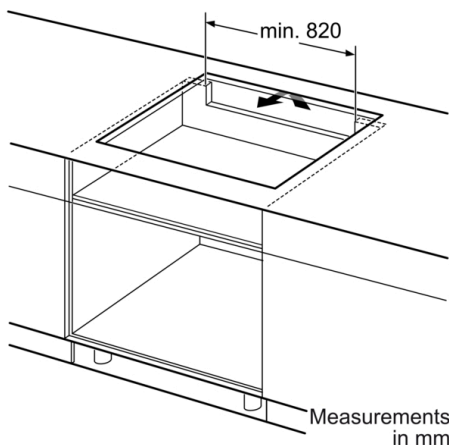


Measurements in mm

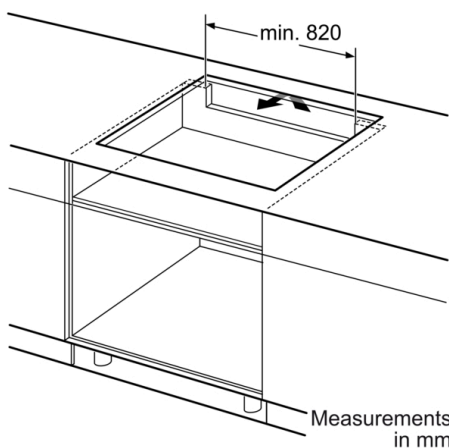
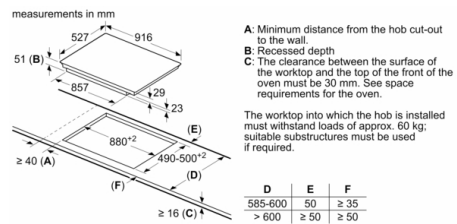


① Ventilation gap must be present.

Measurements in mm



Measurements in mm



Measurements in mm