

**60cm multifunction 25 matte black SteamPro full steam oven with SousVide, automatic Steamify® function, 7.8" CookSmart Touch+, AI TasteAssist, and food probe.**

RRP AUS \$6,499.00



## Product Details

### FEATURES

---

#### SteamPro

**CookSmart Touch+**  
CookSmart Touch+ guides your cooking at a touch.

**AI TasteAssist**  
AI Taste Assist for connected, customised cooking.

#### SousVide

**Assisted Cooking**  
Assisted Cooking settings mean you can let your oven know whats cooking so it can handle the rest.

**AirFry**  
AirFry your food for a fried taste with less oil.

#### Food Sensor

#### Steam Cleaning Program

---

### BENEFITS

---

#### PROFESSIONAL RESULTS AT HOME

The SteamPro oven provides you with Bake, Roast & Steam, a tool used by professional chefs for many years enabling you to reach new culinary heights with a home oven. Its time to transform the way you cook and enjoy professional-level results at home.

#### MASTER EVERY DISH AT A TOUCH

CookSmart Touch+ takes intuitive cooking further. With guided recipes and advanced step-by-step functions, it helps you master even complex dishes with ease. Access favourites, recently used modes, and tailored assistance, bringing greater confidence to both everyday and ambitious meals.

#### DISCOVER AI ASSISTED COOKING

Optimise your cooking settings by sending a web recipe or copying the link into the app. The app leverages AI to customise the settings for your specific oven, such as temperature, time, function and pre-heating, to deliver the best possible result.

#### WHY NOT SOUS-VIDE AT HOME

Sous-vide is a culinary technique whereby vacuum-sealed food is cooked at a very precise, consistent temperature for an exquisite taste experience. Cooking in a vacuum-sealed bag using a low temperature infuses flavours, whilst keeping textures delicately tender, helping to lift your creativity to the next level.

---

**MEET YOUR PERSONAL CHEF**

Assisted Cooking is your at-home sous chef. Scroll through menus to select a food category and the oven will generate the correct settings for the dish. You can even choose how you would like meats sealed and for added safety the oven will automatically power down after cooking.

---

**WHY NOT FRY WITH LESS OIL**

The mesh construction of the AirFry tray allows super-heated air to crisp the surface of ingredients to deliver a delicious fried taste and texture, with less oil.

---

**PRECISION MEETS PERFECTION**

The Food Sensor allows you to precisely monitor the cooking process and achieve perfect results according to your personal taste. The oven will let you know when your food has reached the right temperature.

---

**CLEAN WITH THE POWER OF STEAM**

A clean oven ensures delicious flavours, prevents cooking odours, and helps maintain optimal performance. Clean your oven effortlessly with the Steam Cleaning program. Let the natural power of steam lift grease and grime with ease simply wipe it away. The oven display will inform you when cleaning is required.

---

## Specifications

### PRODUCT PROFILE

Domestic warranty details (yrs)	5
Type of Oven	single steam oven
Oven fuel	electric
Materials/Colour	matte black
Controls of Oven	TFT touchscreen
Cooling fan	Yes

### FLUSH FIT CUT OUT

Flush fit cut out height (mm)	590
Flush fit cut out width (mm)	560
Flush fit cut out depth (mm)	550

### DIMENSIONS

#### PRODUCT DIMENSION

Total height (mm)	594
Total width (mm)	595
Total depth (mm)	567

### MAIN OVEN

Useable capacity litres	70
Oven function	multifunction
Number of functions	25

## MAIN OVEN

Oven Functions	grill,keep warm,defrost,bottom heat,bread baking,dough proving,plate warming,preserving,sous vide cooking,STEAMIFY®,roast,top heat,slow cook,top+bottom,steam,Dehydrating,Connectivity
----------------	--

Oven liner	enamel
------------	--------

Timer functions	end,Time of day,Delayed start
-----------------	-------------------------------

## ELECTRICAL CONNECTION

Connected load KW	3.25
-------------------	------

Maximum current rating (amps)	14.77
-------------------------------	-------

Type of connection	hardwired
--------------------	-----------

## OTHER FEATURES

Number of Programmed functions	167
--------------------------------	-----

Auto cook programs	Yes
--------------------	-----

Cleaning	steam
----------	-------

Door	removable door,Soft close
------	---------------------------

Timer	Programmable timer
-------	--------------------

Telescopic runners	three
--------------------	-------

Shelf support	multi position side racks
---------------	---------------------------

Number of shelves	2
-------------------	---

Safety features	isofront plus quadruple glazed door
-----------------	-------------------------------------

## OTHER FEATURES

Closed door grilling	Yes
Included accessories	wire shelves stainless steel x 2, dripping pan, cake tray, 3 x telescopic runners, trivet, AirFry tray
Layers of glass in door	4
Number of shelf positions	5
Food probe	Yes

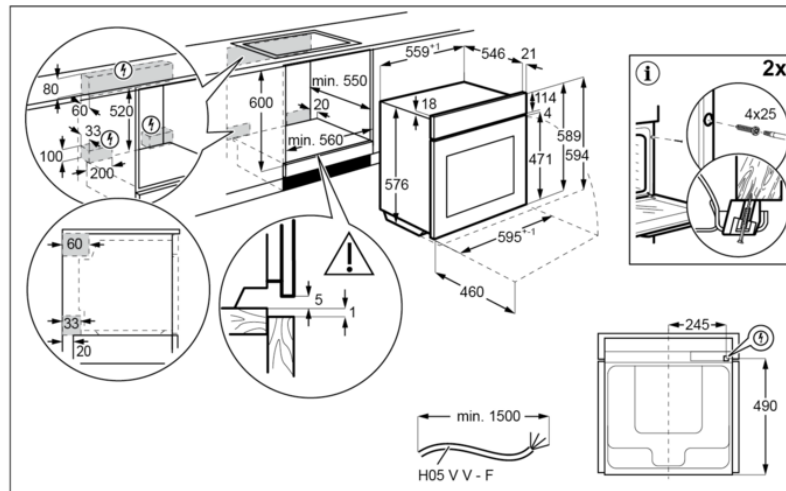
## SHIPPING

Shipping Volume (m3)	0.285
Shipping Weight (Kg)	43.5
Pack Dimensions Height (mm)	670
Pack Dimension Width (mm)	635
Pack Dimension Depth (mm)	670

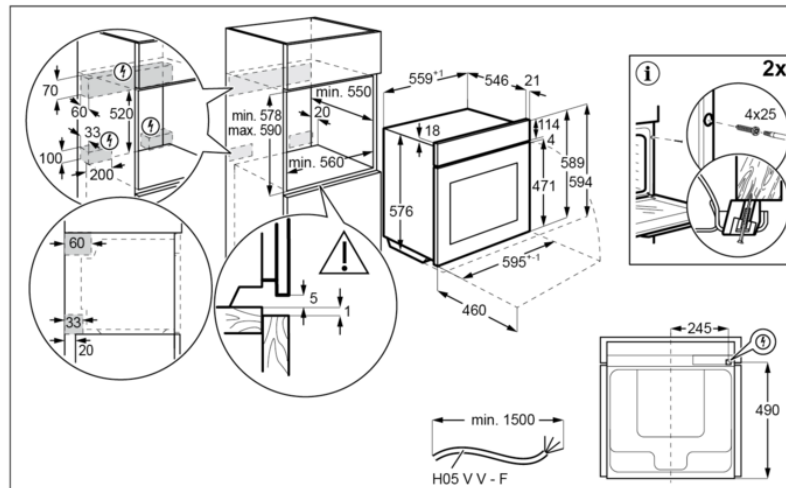
## Dimensions

**Model:**  
NBP9S83PAT

### UNDERBENCH



### CABINET



## Terms and Conditions

### IMPORTANT

This is a guide of product dimensions only. For complete installation instructions, refer to the manual provided with product.

### PRODUCT INFORMATION

The descriptors and illustrations in this publication apply to the specific products and models described as at the date of issue. Under our policy of continuous product development, product specifications may change without notice. Prospective purchasers should therefore check with their retailer to ensure this publication correctly describes the products that are being offered for sale. All information supplied is to be used for general reference purposes only and is on the understanding that Electrolux Home Products Pty Ltd (Australia) and Electrolux (NZ) Ltd (New Zealand) will not be liable for any loss, liability or damage of whatever kind arising as a result of reliance on such information. Colours of products illustrated are as close as printing limitations allow. Electrolux will at all times comply with its obligations pursuant to law including Trade Practices (Australian Consumer Law) Act and Regulations.

### WARRANTY

Electrolux Home Products warrants that for domestic applications the AEG appliances featured are free from defects in materials and workmanship for 5 years (3 months warranty for commercial applications). All warranties are subject to the conditions set out in the warranty card accompanying the product when purchased.

#### ELECTROLUX HOME PRODUCTS AUSTRALIA

telephone: 1300 363 664

fax: 1800 350 067

email: [customercare@aegaustralia.com.au](mailto:customercare@aegaustralia.com.au)

web: [www.aeg.com/au](http://www.aeg.com/au)

#### ELECTROLUX HOME PRODUCTS NEW ZEALAND

telephone: 0800 10 66 10

fax: 09 573 2221

email: [customercare@electrolux.co.nz](mailto:customercare@electrolux.co.nz)

web: [www.aeg.com/au](http://www.aeg.com/au)