

6.0kg vented tumble dryer comes with SensorDry technology to gently dry your garments for an exceptional result. Other features include fast timed programs, and anti-tangle reverse tumbling action.

RRP AUS \$699.00



Product Details

FEATURES

Large Capacity Drum

Large drum provides enough space to thoroughly dry bulky items and family-sized loads.

Fast Cycles

The 30 mins timed cycle dries your everyday 1kg loads within 30 mins.

ColourCare

ColourCare keeps the colours in your clothes looking like new for longer.

SensorDry

SensorDry gently and precisely dries your garments for exceptional results.

HygienicCare

Reverse Tumbling
Special alternating drum movements reduce wrinkles for quick and easy ironing.

BENEFITS

DRY WITH ADDED HYGIENE

The Swissatest-certified Hygiene cycle dries while removing more than 99.9% of common bacteria and viruses*. *Tested for Candida albicans, MS2 Bacteriophage and Escherichia coli in external test performed by Swssatest Testmaterialien AG in 2021 (test Report No. 20242021).

FULL-SIZED DRYING

Large drum provides enough space to thoroughly dry bulky items and family-sized loads.

FAST DRY FOR SMALL LOADS

Select the 30 minutes cycle to dry 1kg of everyday cotton or blended fabrics fast. This programme is perfect for when you're in a hurry, drying smaller loads quickly and effectively.

COLOURS REMAIN AND STAYS

ColourCare keeps the colours in your clothes looking like new for longer. By using UltimateCare dryers, fabrics maintain their vibrancy for longer, so clothes always look and feel their best.

PRECISE DRYING MADE EASY

SensorDry gently and precisely dries your garments without overdrying, protecting your clothes while optimising time and energy.

LESS WRINKLES, EASY IRONING*

With Reverse Tumbling, alternating drum movements prevent clothes from tangling and reduce creasing and wrinkles to make ironing easier. *Less wrinkles vs. hang drying - tested and certified by THTI

Specifications

PRODUCT PROFILE

Domestic warranty details (yrs) 2

Dryer Type exhaust venting front/rear

Design family (eline) UC3

Capacity (Kg) 6

Wall mount option supplied with unit

ENERGY

Energy Efficiency Star Rating 2

Energy Consumption (KWhr/yr) 269

BUTTON FUNCTIONS

Functions power/on/off,Child Lock,Delay Start,Dry Temp - Low/Mid/High,Dryness Level,Extra Anticrease,Time Dry

DIMENSIONS

Total height (mm) 795

Total width (mm) 600

Total depth (mm) 560

CONTROLS

Type of controls electronic rotary,Touch button

Type of display LED

DRYING PROGRAMS

Drying Programs Cotton,Synthetic,Delicate,Refresh,Mixed Dry,Wool,fast 40,Eco Cotton,Bedding,Denim,Easy Iron,Hygiene

DRUM

Spin tub material	stainless steel
-------------------	-----------------

CABINET

Cabinet Colour	white
----------------	-------

Cabinet material	painted galvanized steel
------------------	--------------------------

SHIPPING

Shipping Weight (Kg)	27.5
----------------------	------

DRYING PROGRAMS

Degree of dryness	extra,cupboard,iron dry
-------------------	-------------------------

Venting	optional rear venting
---------	-----------------------

DOOR

Type	glass insert
------	--------------

Dryer Door colour	white
-------------------	-------

Door safety	child lock
-------------	------------

TECHNICAL

Dryer Lint filter position	front pocket
----------------------------	--------------

Buzzer	end of cycle
--------	--------------

Dryer Element watts	2100
---------------------	------

Noise level dBA	63
-----------------	----

STUFFING QUANTITIES

40ft HC	180
---------	-----

SHIPPING

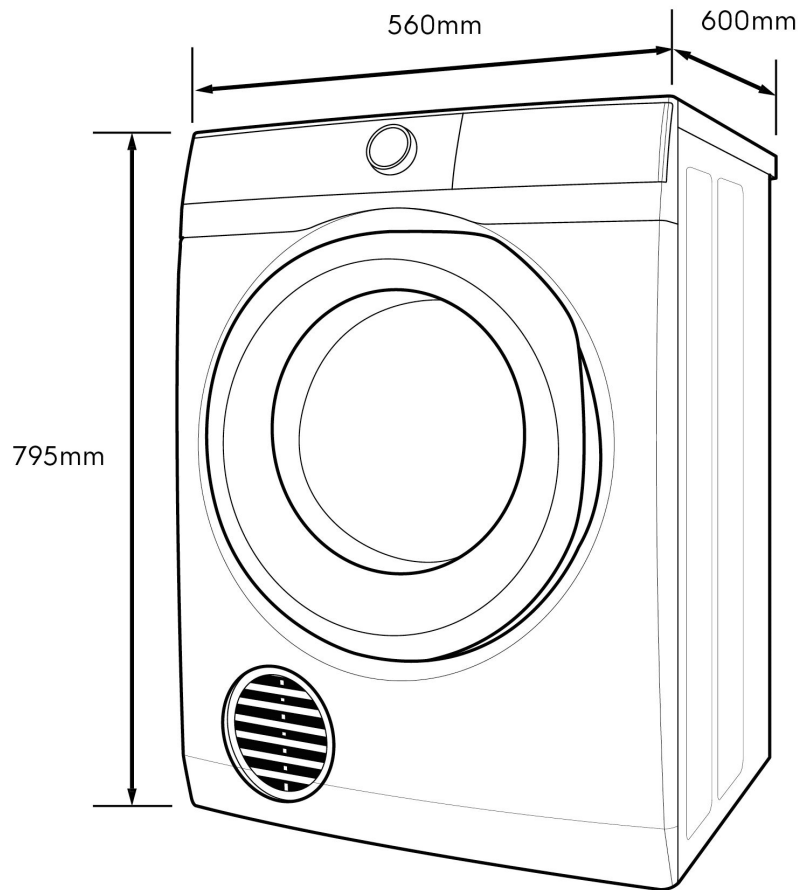
Pack Dimensions Height (mm)	845
--------------------------------	-----

Pack Dimension Width (mm)	625
------------------------------	-----

Pack Dimension Depth (mm)	595
------------------------------	-----

Dimensions

Model:
EDV605H3WC



© 2024 Electrolux S.E.A PTE. LTD. ELX_IM_Diag_EDV605H3WC_ANZ_Jul24

Terms and Conditions

IMPORTANT

This is a guide of product dimensions only. For complete installation instructions, refer to the manual provided with product.

PRODUCT INFORMATION

The descriptors and illustrations in this publication apply to the specific products and models described as at the date of issue. Under our policy of continuous product development, product specifications may change without notice. Prospective purchasers should therefore check with their retailer to ensure this publication correctly describes the products that are being offered for sale. All information supplied is to be used for general reference purposes only and is on the understanding that Electrolux Home Products Pty Ltd (Australia) and Electrolux (NZ) Ltd (New Zealand) will not be liable for any loss, liability or damage of whatever kind arising as a result of reliance on such information. Colours of products illustrated are as close as printing limitations allow. Electrolux will at all times comply with its obligations pursuant to law including Trade Practices (Australian Consumer Law) Act and Regulations.

WARRANTY

This warranty only applies to Appliances purchased and used in Australia or New Zealand and used in normal domestic applications and is in addition to (and does not exclude, restrict, or modify in any way) any non-excludable statutory warranties in Australia or New Zealand. All warranties are subject to the conditions set out in the warranty card accompanying the product when purchased.

ELECTROLUX HOME PRODUCTS AUSTRALIA

telephone: 1300 363 640

fax: 1800 350 067

email: customercare@electrolux.com.au

web: www.electrolux.com.au

ELECTROLUX HOME PRODUCTS NEW ZEALAND

telephone: 09 573 2230

fax: 09 573 2221

email: customercare@electrolux.co.nz

web: www.electrolux.co.nz