

60cm built-under matte black dishwasher with 8 wash programs, MaxiFlex cutlery drawer, ComfortRails, SprayZone and ProClean™ satellite spray arm to deliver a perfect wash result, regardless of your load.

RRP AUS \$2,299.00



Product Details

FEATURES

<p>MaxiFlex Accommodate different kitchen tools with MaxiFlex.</p>	<p>SprayZone SprayZone uses high pressure for flawless results.</p>	<p>GlassCare GlassCare protects and gently cleans glassware.</p>	<p>ExtraPower ExtraPower use a boost to remove stubborn dirt.</p>
<p>EcoProgram EcoProgram reduces energy and water consumption.</p>	<p>AutoSense AutoSense optimises the wash cycle for any load.</p>	<p>ExtraSilent ExtraSilent operates quietly at only 44dB(A).</p>	<p>Delay Start 24H Delay start of the program to suit your schedule.</p>

BENEFITS

DARE TO USE EVERY KITCHEN TOOL
The MaxiFlex drawer is designed to fit cutlery and utensils of different shapes and sizes. Its increased depth offers greater capacity in each load. Whether large or awkwardly-shaped, the customisable dividers and deep drawer mean everything can be loaded with ease.

GENTLE CARE FOR YOUR GLASSWARE
The unique SoftGrip feature ensures that the stem and foot of every glass are held gently but firmly in exactly the right position throughout the duration of the program. Protected from vibration. Removing the risk of breakages. And with SoftSpikes you no longer need to spend time handwashing delicate glasses. The soft material gently holds glasses securely in place and protects them from cracks and breakage.

IMPROVE WASHING RESULTS
ExtraPower function improves the washing results of the selected program. The extra boost in wash temperature and duration rids stubborn stains from your kitchenware with immaculate results.

HIGH PERFORMANCE. LOW ENERGY
By selecting the EcoProgram you can rest assured that your dishes will be cleaned using the lowest possible amount of energy and water for the load, without compromising on wash performance.

OPTIMISE TIME, ENERGY AND WATER
AutoSense detects the soil level and load size and adjusts settings accordingly to deliver an optimised wash program for the load. This delivers incredible cleaning performance.

ENJOY THE SILENCE
At a low of 44dB(A), ExtraSilent program noise level is so low you will barely know its there. Good by to noise and say hello to silence.

CLEAN DISHES ON YOUR SCHEDULE

The 24-hour delay start function lets you load your dishwasher and program it to start at the time that suits your schedule.

Specifications

PRODUCT PROFILE

Domestic warranty details (yrs)	5
Type of Dishwashers	built under
Place settings	15
Drying system	AirDry
Number of spray arms	3
Top shower	Yes

DIMENSIONS

Total height (mm)	818
-------------------	-----

SPECIFICATION

Water Efficiency Star Rating	5
WELS Registration Number	D02851
Water consumption (litres)	12.2
Energy Efficiency Star Rating	4
Energy consumption cold water (kWhr/yr)	246
Noise level dBA	44
Water supply	cold or hot (maximum 60°C)
Basket colour	grey
Service cord length	1600
Inverter system	Yes

WASH PROGRAMS

Number of Programs	8
--------------------	---

DIMENSIONS

Total width (mm)	597
Total depth (mm)	576
Cabinet requirement excluding worktop (height)	820-880
Cabinet requirement excluding worktop(width)	600
Cabinet requirement excluding worktop (depth)	570

CONTROL PANEL

Control panel type	LCD display
Control panel finish	black
Display indicators	time remaining,rinse aid,service code,program selected,delay start,GlassCare,ExtraPower

EXTERIOR

Door finish	black
Side colour	black
Plinth colour (kickboard)	no plinth supplied

WASH PROGRAMS

Programs	Quick 30 min,Extra Silent,Regular 90 min,AUTO Sense,Machine Care,Light 60 min,Heavy 160 min,ECO 180 min
Wash option	Delay start (1-24 hours),SprayZone,GlassCare,ExtraPower
Range of temperatures	4

FEATURES

Other Features	Auto Off,interior light,MaxiFlex drawer with ComfortRails
Water safety system	aqua control
Dispenser	detergent,rinse aid

UPPER BASKET

Upper basket features	soft spikes for tall glass,SoftGrip,Foldable glass rack,easy lift adjustable upper basket,ComfortRail
Foldable cup shelves	4

EXTERIOR

Removable worktop	No
-------------------	----

LOWER BASKET

Lower Basket Features	SprayZone
-----------------------	-----------

Foldable Racks	4
----------------	---

Foldable cup shelves	0
----------------------	---

HOSES

Inlet hose length	1800
-------------------	------

Drain hose length	1800
-------------------	------

extension hose	spare part
----------------	------------

UPPER BASKET

Foldable Racks	2
----------------	---

THIRD TRAY

Tray features	Cutlery Tray
---------------	--------------

SHIPPING

Shipping Volume (m3)	0.376
----------------------	-------

Shipping Weight (Kg)	47.7
----------------------	------

Pack Dimensions Height (mm)	870
-----------------------------	-----

Pack Dimension Width (mm)	635
---------------------------	-----

Pack Dimension Depth (mm)	680
---------------------------	-----

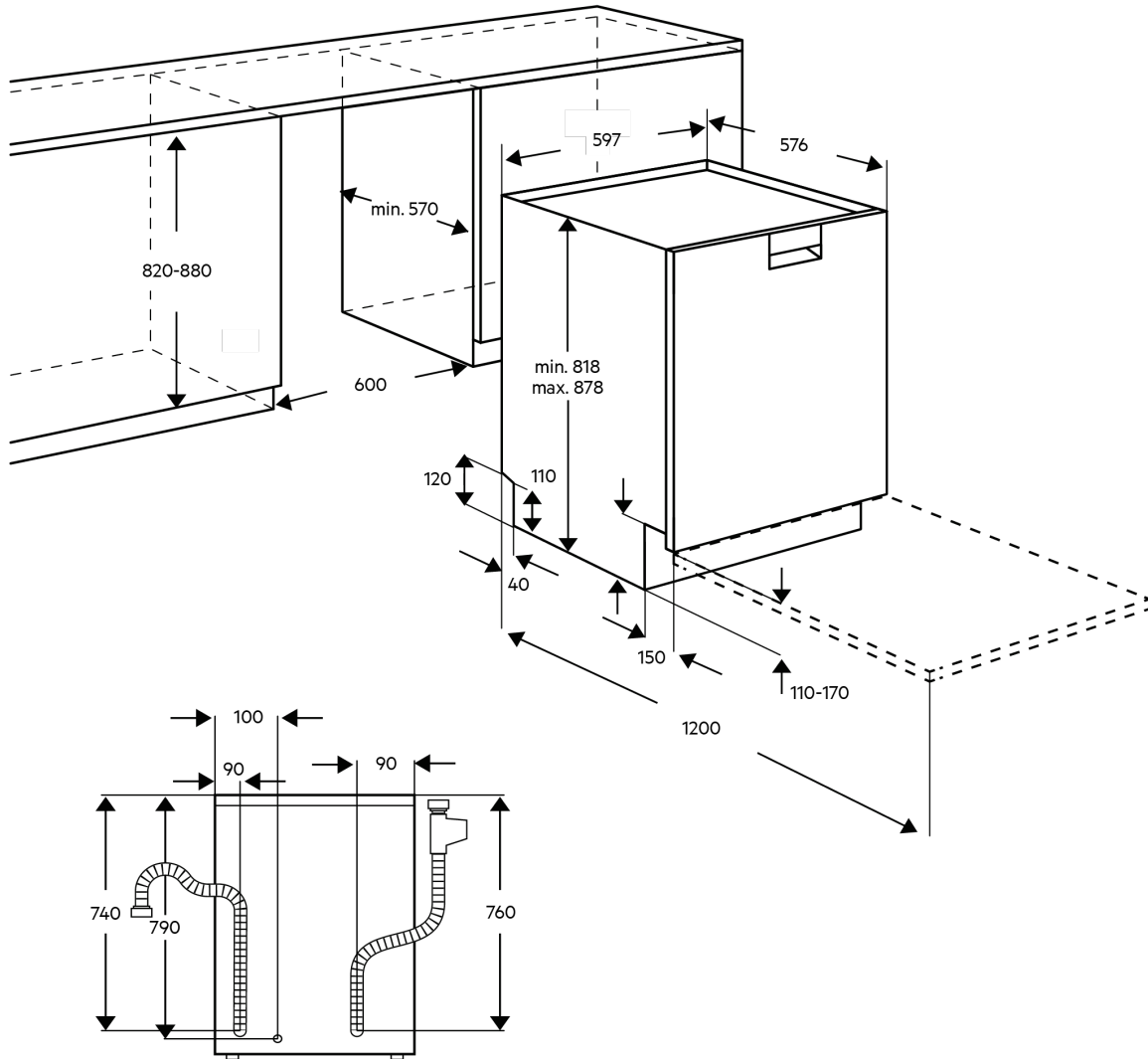
STUFFING QUANTITIES

STUFFING QUANTITIES

40ft HC	150
---------	-----

Dimensions

Model:
FUF7590SMB



© 2024 Electrolux S.E.A PTE. LTD. AEG_IM_Diag_FUF7590SMB_Nov24

Terms and Conditions

IMPORTANT

This is a guide of product dimensions only. For complete installation instructions, refer to the manual provided with product.

PRODUCT INFORMATION

The descriptors and illustrations in this publication apply to the specific products and models described as at the date of issue. Under our policy of continuous product development, product specifications may change without notice. Prospective purchasers should therefore check with their retailer to ensure this publication correctly describes the products that are being offered for sale. All information supplied is to be used for general reference purposes only and is on the understanding that Electrolux Home Products Pty Ltd (Australia) and Electrolux (NZ) Ltd (New Zealand) will not be liable for any loss, liability or damage of whatever kind arising as a result of reliance on such information. Colours of products illustrated are as close as printing limitations allow. Electrolux will at all times comply with its obligations pursuant to law including Trade Practices (Australian Consumer Law) Act and Regulations.

WARRANTY

Electrolux Home Products warrants that for domestic applications the AEG appliances featured are free from defects in materials and workmanship for 5 years (3 months warranty for commercial applications). All warranties are subject to the conditions set out in the warranty card accompanying the product when purchased.

ELECTROLUX HOME PRODUCTS AUSTRALIA

telephone: 1300 363 664

fax: 1800 350 067

email: customercare@aegaustralia.com.au

web: www.aeg.com/au

ELECTROLUX HOME PRODUCTS NEW ZEALAND

telephone: 0800 10 66 10

fax: 09 573 2221

email: customercare@electrolux.co.nz

web: www.aeg.com/au