

45cm COMBIQUICK® matte black microwave oven with CookSmart Touch+, AI TasteAssist, microwave & grill combination cooking and SurroundCook.

RRP AUS \$4,299.00



Product Details

FEATURES

Microwave+Oven
Microwave and oven with grill combination.

CookSmart Touch+
CookSmart Touch+ guides your cooking at a touch.

Assisted Cooking
Assisted cooking with a variety of auto settings.

Food Sensor
Food Sensor to achieve perfect results with ease.

Soft-close doors
Soft Closing hinges are smooth and quiet.

3-layer glass
Triple glazed door with shatterproof safety.

BENEFITS

VERSATILE MICROWAVE AND GRILL

Reheat, cook, and defrost and grill, quickly and evenly, with the versatility of a combined microwave and oven with grill.

MASTER EVERY DISH AT A TOUCH

CookSmart Touch+ takes intuitive cooking further. With guided recipes and advanced step-by-step functions, it helps you master even complex dishes with ease. Access favourites, recently used modes, and tailored assistance, bringing greater confidence to both everyday and ambitious meals.

MEET YOUR PERSONAL CHEF

Assisted Cooking is your at-home sous chef. Scroll through menus to select a food category and the oven will generate the correct settings for the dish. You can even choose how you would like meats sealed and for added safety the oven will automatically power down after cooking.

PRECISION MEETS PERFECTION

The Food Sensor allows you to precisely monitor the cooking process and achieve perfect results according to your personal taste. The oven will let you know when your food has reached the right temperature.

CLOSE WITH A WHISPER

Soft Closing hinges ensure smooth and virtually silent door closure, for a premium feeling time after time.

EXTRA-SAFE TRIPLE GLAZING

A triple glazed door keeps the oven exterior cooler to touch, even when oven is running at maximum temperature, improving both safety and comfort in your kitchen. The internal glass is ultra-safe and the reflective coating helps to direct heat back into the oven to maximise efficiency.

Specifications

PRODUCT PROFILE

Domestic warranty details (yrs)	5
Type of Oven	compact oven
Oven fuel	electric
Materials/Colour	matte black
Controls of Oven	TFT touchscreen
Cooling fan	Yes

FLUSH FIT CUT OUT

Flush fit cut out height (mm)	450
Flush fit cut out width (mm)	560
Flush fit cut out depth (mm)	550

DIMENSIONS

PRODUCT DIMENSION

Total height (mm)	456
Total width (mm)	595
Total depth (mm)	571

MAIN OVEN

Useable capacity litres	44
Oven function	multifunction
Number of functions	25

MAIN OVEN

Oven Functions	grill,turbo grill,keep warm,defrost,bottom heat,microwave,bread baking,dough proving,plate warming,preserving,slow cooking,microwave and true fan,microwave and grill,roast,top heat,top+bottom,Connectivity,Dehydrating,microwave and conventional cooking,microwave and turbo grill
----------------	---

Oven liner	enamel
------------	--------

Timer functions	end,Delayed start,Time of day,fast heat up
-----------------	--

ELECTRICAL CONNECTION

Connected load KW	3.00
-------------------	------

Maximum current rating (amps)	13.64
-------------------------------	-------

Type of connection	hardwired
--------------------	-----------

OTHER FEATURES

Number of Programmed functions	109
--------------------------------	-----

Auto cook programs	Yes
--------------------	-----

Door	IsoFront cool door,Soft close
------	-------------------------------

Timer	Programmable timer
-------	--------------------

Number of shelves	1
-------------------	---

Safety features	isofront plus triple glazed door
-----------------	----------------------------------

Closed door grilling	Yes
----------------------	-----

Included accessories	dripping pan,cake tray,Chromed wire shelf
----------------------	---

OTHER FEATURES

Layers of glass in door	3
-------------------------	---

Number of shelf positions	3
---------------------------	---

Food probe	Yes
------------	-----

SHIPPING

Shipping Volume (m3)	0.236
----------------------	-------

Shipping Weight (Kg)	35
----------------------	----

Pack Dimensions Height (mm)	555
-----------------------------	-----

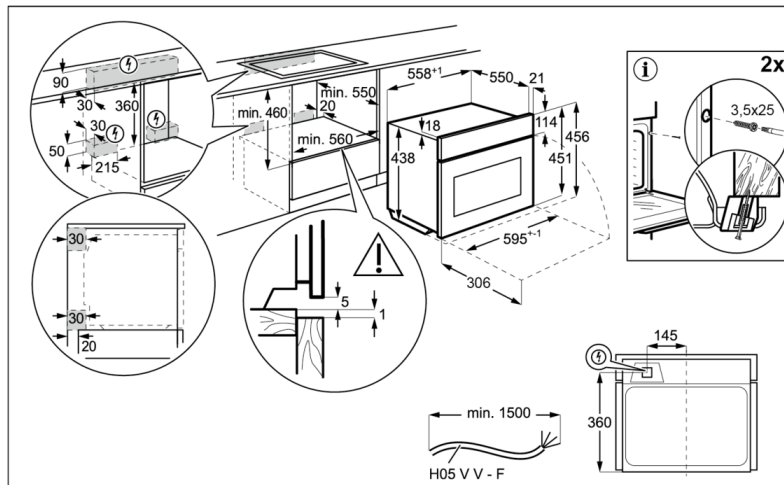
Pack Dimension Width (mm)	635
---------------------------	-----

Pack Dimension Depth (mm)	670
---------------------------	-----

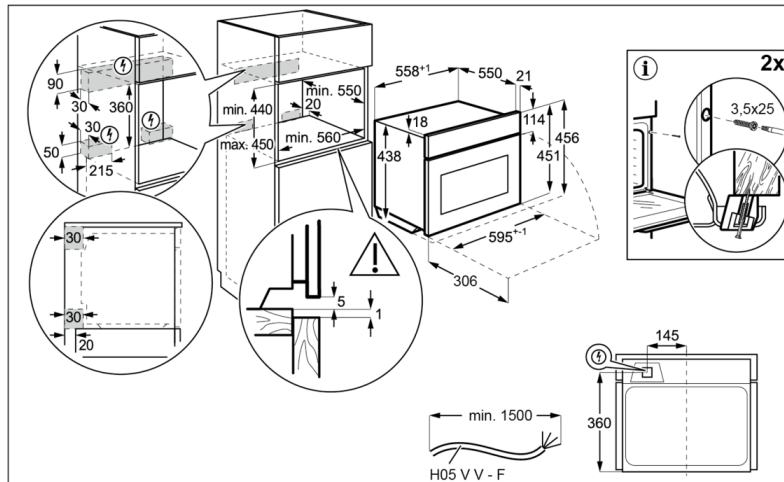
Dimensions

Model:
NKK9A801T

UNDERBENCH



CABINET



Terms and Conditions

IMPORTANT

This is a guide of product dimensions only. For complete installation instructions, refer to the manual provided with product.

PRODUCT INFORMATION

The descriptors and illustrations in this publication apply to the specific products and models described as at the date of issue. Under our policy of continuous product development, product specifications may change without notice. Prospective purchasers should therefore check with their retailer to ensure this publication correctly describes the products that are being offered for sale. All information supplied is to be used for general reference purposes only and is on the understanding that Electrolux Home Products Pty Ltd (Australia) and Electrolux (NZ) Ltd (New Zealand) will not be liable for any loss, liability or damage of whatever kind arising as a result of reliance on such information. Colours of products illustrated are as close as printing limitations allow. Electrolux will at all times comply with its obligations pursuant to law including Trade Practices (Australian Consumer Law) Act and Regulations.

WARRANTY

Electrolux Home Products warrants that for domestic applications the AEG appliances featured are free from defects in materials and workmanship for 5 years (3 months warranty for commercial applications). All warranties are subject to the conditions set out in the warranty card accompanying the product when purchased.

ELECTROLUX HOME PRODUCTS AUSTRALIA

telephone: 1300 363 664

fax: 1800 350 067

email: customercare@aegaustralia.com.au

web: www.aeg.com/au

ELECTROLUX HOME PRODUCTS NEW ZEALAND

telephone: 0800 10 66 10

fax: 09 573 2221

email: customercare@electrolux.co.nz

web: www.aeg.com/au