

Series 6, Washing machine, front loader, 9 kg, 1400 rpm WGG244FOAU



- **i-DOS:** Automatically measures the precise amount of detergent and water needed.
- **Speed Perfect:** Perfectly clean in up to 65% less time. ²
- **AllergyPlus:** Developed for allergy sufferers and people with sensitive skin.
- **Iron Assist:** Reduce wrinkles up to 50%. ³
- **Vario Drum:** Gently and efficiently wash with even water distribution and without creasing garments.

Maximum capacity in kg (EU 2017/1369):	9.0 kg
Built-in / Free-standing:	Free-standing
Dimensions of the product:	845x598x590 mm
Net weight:	70.3 kg
Connection rating:	2300 W
Fuse protection:	10 A
Voltage:	220-240 V
Frequency:	50 Hz
Length electrical supply cord:	210 cm
Door hinge:	Left
Wheels:	No
EAN code:	4242005547319
Installation type:	Free-standing



4 242005 547319

¹ Please refer to the Energy Star Rating or for more information, refer to www.energyrating.gov.au

³ Test No. E-0323-PT-22 of the Deutschen Institute für Textil- und Faserforschung Denkendorf (DITF) of 12.07.22, related to the crease reduction of commercial cotton garments (T-shirts and shirts) in the Iron Assist program according to DIN EN ISO 15487 in comparison to textiles not treated with Iron Assist.

Series 6, Washing machine, front loader, 9 kg, 1400 rpm WGG244FOAU

Capacity

- Capacity: 9 kg

Consumption rates

- 5 Star Energy Rating
- Energy consumption 212 kWh per year, based on BW 60° ECO program at 1400 RPM seven times per week. When tested in accordance with AS/NZS 2040.2. Actual energy use and running costs will depend on how you use the appliance.
- 4.5 Star water rating (WELS)
- Water consumption 78 l litres per wash. Using the Cottons Eco program at 60°C with 1400 RPM spin speed. In accordance with AS/NZS 6400. Actual water consumption will depend on how the appliance is used.

Programs

- Standard programs: Cottons Eco, Cottons Program cold to 90°C, Easy Care, AllergyPlus, Automatic 30°C wash, Iron Assist - with added steam for wrinkle reduction, shirts/blouses, Spin / Drain, Quick wash/Mixture, Sportswear, Rinse, Super 15 min / Super 30 min, Delicates/Silk cold to 40°C, Wool Hand wash cold to 40°C
- Special programs: Automatic 30°C wash, Super 15 min / Super 30 min, AllergyPlus, Sportswear, Spin / Drain.
- TouchControl buttons: iDos Automatic dosing system: Doses detergent from 1st reservoir and fabric softener only in 2nd reservoir, AntiStain: Selection options of Grass, Red Wine, Oil/Butter and Blood, Temperature selection, Spin speed selection, Prewash, Finish in (delayed start): delay the start of the program by up to 24 hours, SpeedPerfect, start/pause with reload function

Features

- iDos Automatic dosing system: Doses detergent from 1st reservoir and fabric softener only in 2nd reservoir, From front
- SpeedPerfect: allows you to reduce cleaning time by up to 65%
- .
- Iron Assist: Steam programme that reduces wrinkles on dry clothes
- Automatic program 30°C: Sensor controlled washing and dosage. Wash delicate items made from cotton, or synthetic or blended fabrics. Gentle laundry care. The degree of soiling and the type of fabric are automatically detected. The washing process is adaptable to how dirty are the fabrics.
- Pause/Reload function to pause the washing operation for adding in laundry items
- ActiveWater Plus: for highly efficient use of water even with small loads thanks to automatic load detection.
- Large LED-Display for programme status indication, temperature selection, max. spin speed, remaining time and 24 h end time delay and load recommendation
- Large 32 cm porthole, silver-black grey with 160° opening door
- VarioDrum's breakthrough wave-droplet design provides a thorough yet gentle clean for fine textiles
- EcoSilence Drive (BLDC) for faster, quieter and more energy efficient performance with 10 year warranty.
- AntiVibration Side Panels reduce vibrations and ensure greater stability during the washing and spinning process
- Unbalanced load detection
- Foam detection to remove excessive foam
- Audible notification at the end of the programme

- soft dial
- Turbidity Sensor: works with iDos dosing system, to measure the level of soiling. and will adjust accordingly
- Usage meter: counts completed programmes
- Drum volume: 65 l

Performance

- Spin speed: 400 - 1400 rpm
- Operating noise level for spinning at standard 60°C cotton program at full loading in dB (A): 75

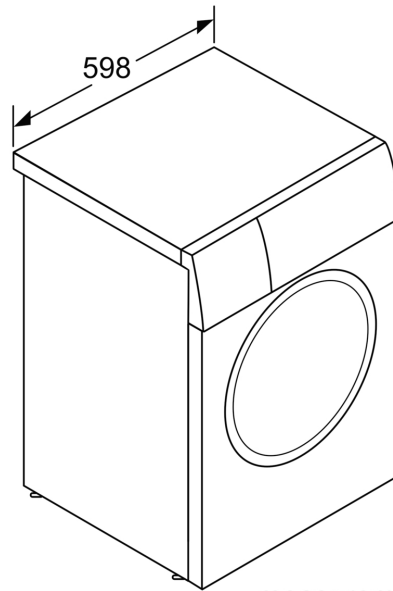
Safety

- Child safety control lock

Technical Information

- Stackable with a stacking kit fitting to the tumble dryer
- Slide-under height of 85cm
- Dimensions (H x W x D): 84.5 cm x 59.8 cm x 59.0 cm (63.2 cm including door handle)

**Series 6, Washing machine, front
loader, 9 kg, 1400 rpm
WGG244F0AU**



measurements in mm