

**Series 8, Dual fuel range cooker,  
Stainless steel  
HSB838357A**



**Included accessories**

2 x enamel baking tray, 1 x rotary spit, 1 x insert grid, 1 x cross support for espresso, 1 x governor 10mbar NG (AU), 2 x grill shelf, 1 x WOK attachment ring, 2 x telescopic rack

**The electric Range Cooker with up to 10 heating modes and gas cooktop: lets you cook like a professional.**

- **Pyrolytic self-cleaning:** Automatically cleans the oven, just wipe out the ash.
- Rotisserie delivers the best homemade rotisserie chicken with the
  - perfect brown look.
- Cast Iron Pan Support provides extra support for your heavier pots
  - and pans.
- Low profile stainless steel cooking surface is easily accessible and quick to clean.
- Drop down door with SoftClose mechanism

**Technical Data**

Built-in / Free-standing : Freestanding  
Dimensions (HxWxD) : 900-950 x 898 x 600 mm  
Length electrical supply cord : 120 cm  
Net weight : 89.4 kg  
Gross weight : 99.4 kg  
EAN code : 4242002933177  
Number of cavities (2010/30/EC) : 1  
Usable volume of cavity : 112 l  
Connection Rating : 4200 W  
Fuse protection : 16 A  
Voltage : 220-240 V  
Frequency : 60; 50 Hz  
Plug type : AU plug

## Series 8, Dual fuel range cooker, Stainless steel HSB838357A

**The electric Range Cooker with up to 10 heating modes and gas cooktop: lets you cook like a professional.**

### COOKTOP

#### Design

- Gas cooktop including 1 Dual wok burner

#### Size & Power

- 1 High-speed, 2 Standard, 1 Economy, 1 Wok burner
- Rear left: Standard burner 7 Mj/h
- Front left: Wok burner 13.6 Mj/h 14 Mj/h
- Center rear: Economy burner 4 Mj/h
- Centre front: High-speed burner 12 Mj/h
- Rear right: Standard burner 7 Mj/h
- Front right: Economy burner 4 Mj/h

#### Comfort & Convenience

- Oven
  - Enamelled oven cavity grey
  - Quadruple glazed CoolTouch door
  - StraightBar handle
- One-hand electronic ignition via controls
- Enamelled cast-iron trivets with rubber feet

#### Safety and Environment

- Flame failure device fitted to each individual burner

### OVEN

#### Heating Functions

- Extra large capacity oven (112 l) with grey enamel
- 10 cooking functions:
  - Rotisserie
  - Grill - large area Top/bottom heating Top/bottom heating Eco
  - Pyrolytic self-cleaning Hot air grilling Fan assisted top/bottom heating Bottom heating and fan Fan forced hot air Hot air & bottom heat

#### Cleaning

- Pyrolytic self-cleaning function
- Electronic clock/timer with LED display
- Telescopic extension rail x 1
- Number of oven lights: 2 PC
- Height adjustable legs by: 50 mm
- Quadruple glazed CoolTouch door

#### 2 year warranty

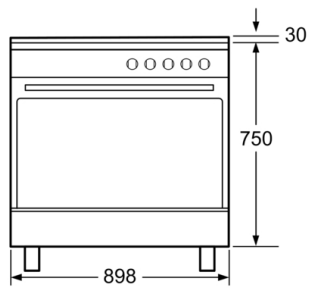
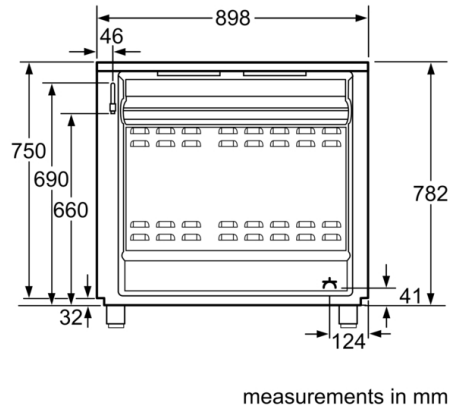
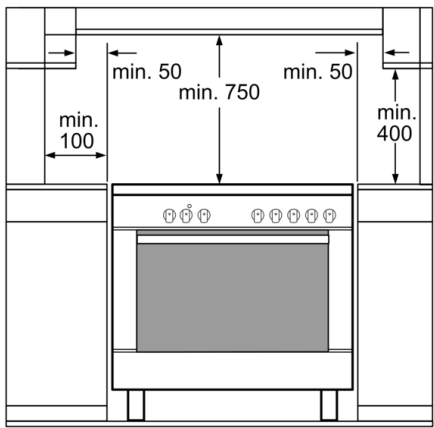
#### Accessories

- Included accessories:
  - enamel baking tray
  - rotary spit insert grid cross support for espresso governor
  - 10mbar NG (AU) grill shelf telescopic rack WOK attachment ring

#### Technical Info

- Appliance dimensions (HxWxD): 900 mm x 898 mm x 600 mm
- Total connected load electric: 4.2 KW
- Length of mains cable: 120 cm
- Suitable for natural gas and LPG

**Series 8, Dual fuel range cooker, Stainless steel**  
**HSB838357A**



measurements in mm