

60cm multifunction 21 matte black SenseCook oven with CookSmart Touch, AI TasteAssist, PYROLUXE™ self cleaning function and food probe.

RRP AUS \$2,999.00



Product Details

FEATURES

CookSmart Touch
CookSmart Touch guides you to cook perfect meals.

AI TasteAssist
AI Taste Assist for connected, customised cooking.

Assisted Cooking
Assisted cooking with a variety of auto settings.

AirFry
AirFry your food for a fried taste with less oil.

Food Sensor
Food Sensor to achieve perfect results with ease.

PyroLuxe cleaning
Pyro turns food grease into ash for easy cleaning.

Telescopic runners
Telescopic runners provide better access to make it easier and safer to remove hot and heavy dishes.

Soft-close doors
Soft Closing hinges ensure smooth and virtually silent door closure with just a gentle touch.

BENEFITS

FLAWLESS RESULTS AT A TOUCH

CookSmart Touch display effortlessly guides you to achieve perfect results, from cooking everyday dishes to the most ambitious meals. Recently used and Favourites are available with just a swipe.

DISCOVER AI ASSISTED COOKING

Optimise your cooking settings by sending a web recipe or copying the link into the app. The app leverages AI to customise the settings for your specific oven, such as temperature, time, function and pre-heating, to deliver the best possible result.

MEET YOUR PERSONAL CHEF

Assisted Cooking is your at-home sous chef. Scroll through menus to select a food category and the oven will generate the correct settings for the dish. You can even choose how you would like meats sealed and for added safety the oven will automatically power down after cooking.

WHY NOT FRY WITH LESS OIL

The mesh construction of the AirFry tray allows super-heated air to crisp the surface of ingredients to deliver a delicious fried taste and texture, with less oil.

PRECISION MEETS PERFECTION

The Food Sensor allows you to precisely monitor the cooking process and achieve perfect results according to your personal taste. The oven will let you know when your food has reached the right temperature.

CLEAN YOUR OVEN WITH EASE

The self-cleaning pyrolytic function takes all the effort out of keeping your oven clean. The oven is heated to a temperature that makes the grease and food residue turn to ash, which can then simply be wiped away with a damp cloth.

ACCESS ALL AREAS

Telescopic runners provide better access to dishes, making it easier to baste during cooking or check on progress. The runners also make it easier and safer when removing hot trays or heavy dishes.

CLOSE WITH A WHISPER

Soft Closing hinges ensure smooth and virtually silent door closure, for a premium feeling time after time.

Specifications

PRODUCT PROFILE

Domestic warranty details (yrs)	5
Type of Oven	single pyrolytic oven
Oven fuel	electric
Materials/Colour	matte black
Controls of Oven	TFT touchscreen
Cooling fan	Yes

FLUSH FIT CUT OUT

Flush fit cut out height (mm)	590
Flush fit cut out width (mm)	560
Flush fit cut out depth (mm)	550

DIMENSIONS

PRODUCT DIMENSION

Total height (mm)	594
Total width (mm)	595
Total depth (mm)	567

MAIN OVEN

Useable capacity litres	71
Oven function	multifunction
Number of functions	21
Oven Functions	grill,keep warm,defrost,bottom heat,bread baking,dough proving,plate warming,preserving,slow cooking,Dehydrating,roast,top heat,top+bottom,Connectivity

ELECTRICAL CONNECTION

Connected load KW	3.25
Maximum current rating (amps)	14.77
Type of connection	hardwired

MAIN OVEN

Oven liner	enamel
Timer functions	End time,Delayed start,fast heat up

OTHER FEATURES

Number of Programmed functions	85
Auto cook programs	Yes
Cleaning	pyrolytic
Pyrolytic functions	3
Type of Pyrolytic functions	quick (1hr),normal (1.5hr),intense (3hr)
Door	removable door,Soft close
Timer	Programmable timer
Telescopic runners	two
Shelf support	multi position side racks
Number of shelves	2
Safety features	isofront plus quadruple glazed door

OTHER FEATURES

Closed door grilling	Yes
Included accessories	2 x chromed wire shelf, dripping pan, cake tray, 2 x telescopic runners, trivet, AirFry tray
Layers of glass in door	4
Number of shelf positions	5
Food probe	Yes

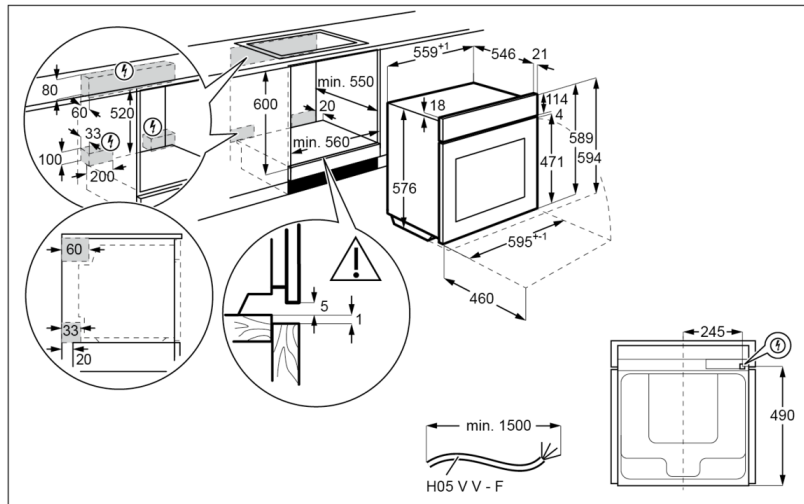
SHIPPING

Shipping Volume (m3)	0.285
Shipping Weight (Kg)	39.5
Pack Dimensions Height (mm)	670
Pack Dimension Width (mm)	635
Pack Dimension Depth (mm)	670

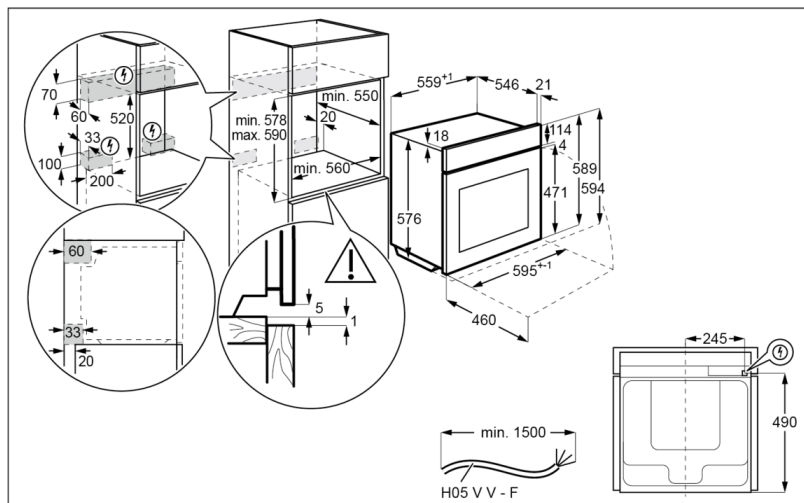
Dimensions

Model:
NBE7P731AT

UNDERBENCH



CABINET



Terms and Conditions

IMPORTANT

This is a guide of product dimensions only. For complete installation instructions, refer to the manual provided with product.

PRODUCT INFORMATION

The descriptors and illustrations in this publication apply to the specific products and models described as at the date of issue. Under our policy of continuous product development, product specifications may change without notice. Prospective purchasers should therefore check with their retailer to ensure this publication correctly describes the products that are being offered for sale. All information supplied is to be used for general reference purposes only and is on the understanding that Electrolux Home Products Pty Ltd (Australia) and Electrolux (NZ) Ltd (New Zealand) will not be liable for any loss, liability or damage of whatever kind arising as a result of reliance on such information. Colours of products illustrated are as close as printing limitations allow. Electrolux will at all times comply with its obligations pursuant to law including Trade Practices (Australian Consumer Law) Act and Regulations.

WARRANTY

Electrolux Home Products warrants that for domestic applications the AEG appliances featured are free from defects in materials and workmanship for 5 years (3 months warranty for commercial applications). All warranties are subject to the conditions set out in the warranty card accompanying the product when purchased.

ELECTROLUX HOME PRODUCTS AUSTRALIA

telephone: 1300 363 664

fax: 1800 350 067

email: customercare@aegaustralia.com.au

web: www.aeg.com/au

ELECTROLUX HOME PRODUCTS NEW ZEALAND

telephone: 0800 10 66 10

fax: 09 573 2221

email: customercare@electrolux.co.nz

web: www.aeg.com/au