

SFRA9300TN 90CM CLASSIC THERMOSEAL OVEN



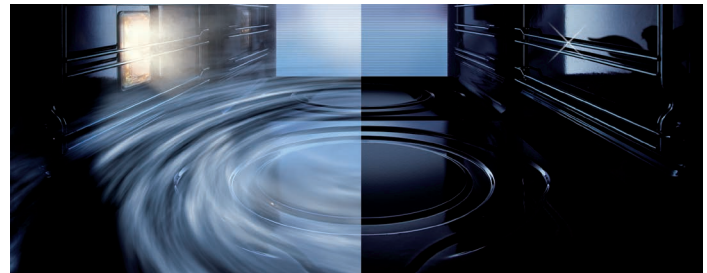
THERMOSEAL

The seal of Smeg's quality, technical excellence and taste: succulent roasts, crisp pastry and impressive baking is achieved in Smeg's unique, perfectly controlled cooking environment. Thermo seal maintains the perfect atmospheric balance in the cavity for optimum cooking conditions.



VAPOUR CLEAN

Smeg's Ever Clean enamel's tough surface has a glassy finish, so a simple spray of water and detergent around the cavity in conjunction with the Vapour Clean option will generate heat and steam to soften any grease for a wipe-clean result.



EVER CLEAN ENAMEL

The superior quality of Smeg's patented Ever Clean enamel, which is highly durable and easy to clean, is the result of nearly 70 years of enameling expertise; ensuring long-life performance of every Smeg oven.



DIGISCREEN

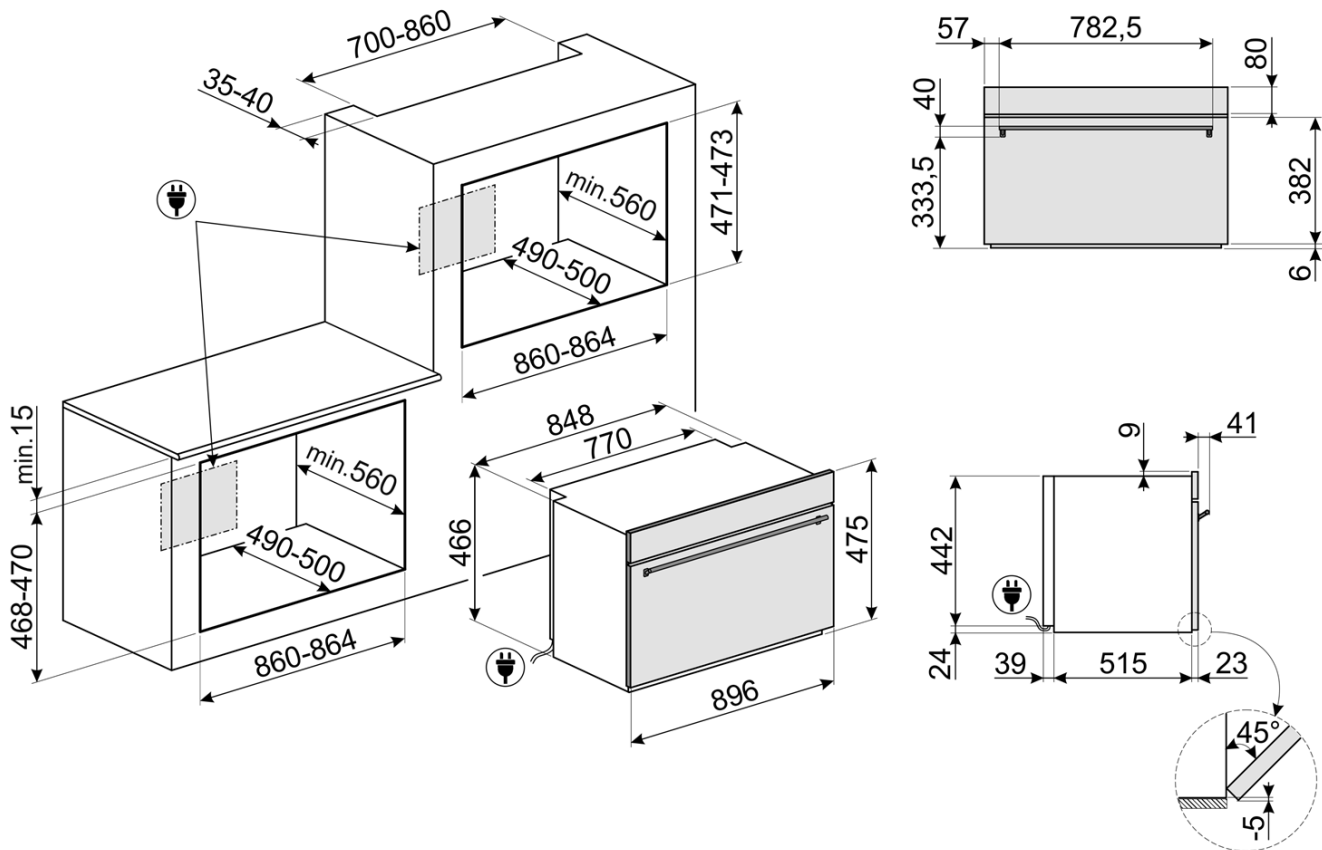
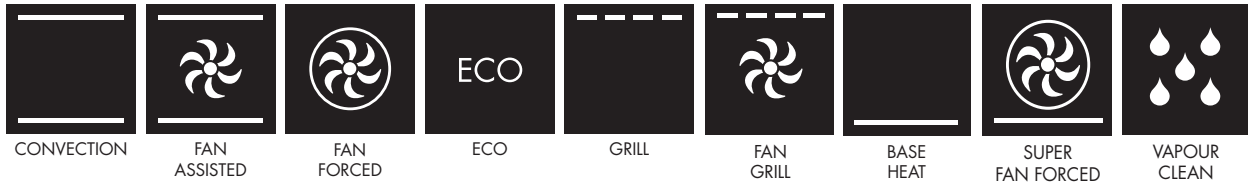
Simply set timer, cooking duration and end of cooking using the LED display.

EAN 8017709331320

Dimensions	896mmW x 475mmH x 571mmD
Finish	Matte Black Eclipse high visibility black glass
Total functions	9
Display	DIGIScreen
Capacity	100L
Cooking levels	4
Thermostat	90 - 250°C
Installation	Built-in
Programmability	Fully programmable
Cleaning	Vapour clean
Lighting	2 x 40 Watt halogen
Supplied accessories	1 x Chrome grill insert 1 x Chrome shelves 1 x 40mm enamelled baking tray
Optional accessories	PPR9 - Pizza Stone BNP608T - 8mm Teflon coated tray
Safety	Cool Door technology, thermal protection system, controls lock
Power	220-240V, 50/60Hz 3100W 14A current
Warranty	Two years parts and labour

SFRA9300TN
90CM CLASSIC THERMOSEAL OVEN

FUNCTIONS



PLEASE NOTE: drawings are not to scale. They are to assist only.

WARNING: technical specifications and product sizes can be varied by the manufacturer without notice.

Cutouts for appliances should only be by physical product measurements. The above information is indicative only.