

# LEGRANDE REVERSIBLE

## LEGRANDE 1W SINK



### INCLUDED ACCESSORIES



6020L

### OPTIONAL ACCESSORIES



SCBL



DGL1



DR006



DTA23

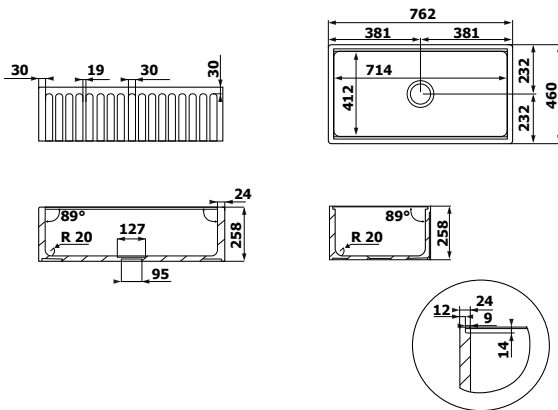


6025-B / 6025-S /  
6025-W / 6025-MB



6020L-CO /  
6020L-G

### DIMENSIONS



Due to the Nature of Earthenware Products Dimensions are Approximate +/- .5 Inch

### SPECIFICATIONS

Description	Small Single Bowl Fireclay Sink, Built In (refer to cabinet maker)
Overall Sink Size	L762mm x W460mm x D258mm
Bowl Dimensions	L714mm x W412mm x D236mm
Drainer Length	N/A
Water Capacity	69 Litres
Technic	Fireclay Sink
Material	Fireclay

### INSTALLATION

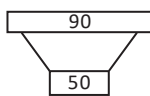
Template	N/A
Tap Holes	NTH

### SURFACE FINISH



SILKY SMOOTH

### WASTE KIT



### MATERIAL



FIRECLAY

### PLUMBING

Waste Fittings	1 x (90mm x 2") basket waste included
Overflow	No

### INSTALLATION OPTIONS



BUILT IN  
(refer to cabinet maker)

### PACKAGING

Gross Weight	41kg
Carton Size	770mm x 260mm x 460mm
Pack QTY	1

### AVAILABLE IN



LEGRANDE 1W  
(WHITE)