

60cm Series 5 Contemporary Pyrolytic Oven, 7 Function

Series 5 | Contemporary

Black Glass

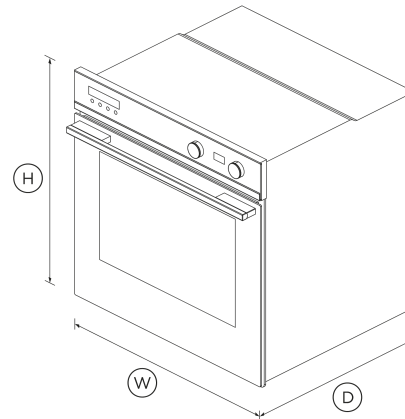


With beautiful Contemporary styling and generous capacity, this built-in oven helps to ensure that every dish you create is cooked to perfection.

- Generous 85L total capacity
- Seven oven functions including pyrolytic self-cleaning
- With AeroTech™ technology for even heating

- Pyrolytic self-cleaning function breaks down food residue for an easy clean

DIMENSIONS



FEATURES & BENEFITS

Even Heating

Ideal for multi-shelf cooking, this built-in oven features AeroTech™ - a technology that circulates heat evenly.

Self-Cleaning

Pyrolytic self-clean breaks down food residue at a very high temperature, leaving a light ash that's easily removed with a damp cloth.

Other product downloads available at fisherpaykel.com

- ↓ 2D - DWG Oven
- ↓ 2D - DXF Oven
- ↓ ArchiCAD 23
- ↓ Service & Warranty
- ↓ Planning Guide
- ↓ Revit 20 Oven
- ↓ Rhino 6 Oven
- ↓ SketchUp 8 Oven
- ↓ User Guide Built in Oven

Where applicable:

All appliances use energy, and energy usage typically generates carbon emissions. **Fisher & Paykel Appliances' In-use Energy Carbon Emissions Estimate** indicates carbon emissions from a product's in-use energy. This is calculated either annually or per cycle, using the product's market-specific energy label energy consumption data multiplied by the carbon emissions factor for energy in your country or region.

Our In-use Energy Carbon Emissions Estimate is designed to assist customers in making informed purchasing decisions when comparing different Fisher & Paykel products. For example, a heat pump dryer typically has a lower In-use Energy Carbon Emissions Estimate than a vented dryer.



A PEACE OF MIND SALE

24 Hours 7 Days a Week Customer Support

T 1300 650 590 W www.fisherpaykel.com