

Integrated Single DishDrawer™ Dishwasher, Sanitise

Series 9 | Integrated

Panel Ready

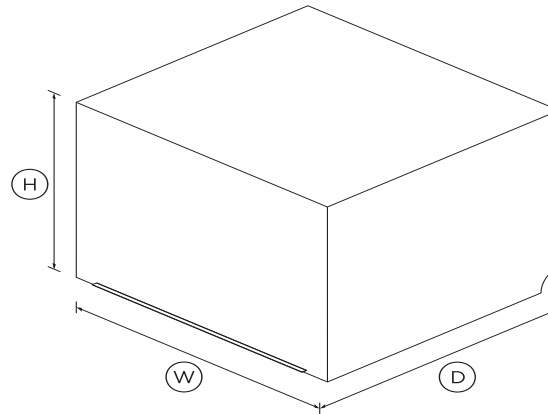


Integrating into your kitchen design seamlessly, each drawer fits a half load that you can load and wash independently.

- Knock to pause function is perfect if you miss a dish
- Six wash programs, as well as additional Quick wash, Sanitise and Extra Dry options
- Customise with your own front panel and handle to match your kitchen cabinetry

DIMENSIONS

Height	410mm
Width	599mm
Depth	571mm



FEATURES & BENEFITS

EASE OF USE

DishDrawer™ Dishwashers are as easy to open and close as kitchen drawers and can be conveniently positioned at bench height for ease of loading and minimal bending.

QUICK, SANITISE AND EXTRA DRY OPTIONS

The Quick wash modifier delivers a faster wash while maintaining performance. The Sanitise option provides extra protection, killing 99.9% of bacteria in the final rinse. The Extra Dry setting is perfect for plastic dishes.

KNOCK TO PAUSE

Instead of needing a remote control, these DishDrawer™ Dishwashers have a knock to pause function. A double knock on the front panel will pause the dishwasher which can be re-started again by using the start/play button.

QUIET PERFORMER

Running at a very low decibel rate, these DishDrawer™ Dishwashers do their job without making a fuss. The combination of intelligent technology and simple mechanics means greater reliability and excellent wash performance.

SPECIFICATIONS

Accessories

Black stainless steel door panel	ADDD60SPB
Contemporary round handle	AHS-OBDD-60S
Contemporary square black	AHD3-OBDD-60B
Contemporary square fine	AHD5-OBDD-60SB
Contemporary square fine	AHD5-OBDD-60S
Contemporary square handle	AHD3-OBDD-60S
Cutlery basket	•
Knife clip and multipurpose	•
Professional round flush handle	AHP3-DWDD-60S
Stainless steel door panel	ADDD60SPX

Capacity and loading

Accommodates round plates	280mm
Adjustable height, foldable	•
Fold down tines	•
Pitch adjustable tines	•
Place settings	7

ConsumptionEnergy rating **3.5 star****Controls**

- Child lock •
- Electronic fault/Diagnostic •
- End of cycle beeps •
- Energy saving delay start •
- Internal wash selector •
- Knock to pause •
- Rinse aid indicator light •
- Wi-Fi connectivity •

Features

- Fan assisted drying •
- Flow through detergent •
- Quiet operation •
- SmartDrive™ technology •

PerformanceNoise on standard cycle top **43dBA****Power requirements**Amperage **4.2A****Product dimensions**

Depth **571mm**

Height **410mm**

Width **599mm**

WarrantyParts and labour **2 years****Wash Program Modifiers**

- Extra Dry •
- Quick •
- Sanitise •

Wash Programs

- Delicate •
- Eco •
- Fast •
- Heavy •
- Medium •
- Rinse •

Water connectionWater pressure **0.1 Mpa - 1 Mpa**SKU **82321**

The product dimensions and specifications in this page apply to the specific product and model. Under our policy of continuous improvement, these dimensions and specifications may change at any time. You should therefore check with Fisher & Paykel's Customer Care Centre to ensure this page correctly describes the model currently available. ? Fisher & Paykel Appliances Ltd 2020

Other product downloads available at fisherpaykel.com

- [↓](#) Service & Warranty
- [↓](#) User Guide Integrated DishDrawer™
- [↓](#) User Guide DishDrawer™
- [↓](#) Quick Start Guide
- [↓](#) Specification Guide SingleDishDrawer
- [↓](#) Data Sheet Integrated Single DishDrawer

**A PEACE OF MIND SALE****24 Hours 7 Days a Week Customer Support****T 1300 650 590 W www.fisherpaykel.com**