

**60cm 4 zone induction cooktop with SaphirMatt surface, FlexiBridge and Hob2Hood.**  
RRP AUS \$0.00



## Product Details

### FEATURES

---

**Matte Black Design**

A matte black finish with reduced reflectivity blends modern design with surface innovation.

**FlexiBridge**

**PowerSlide**

PowerSlide allows you to precisely control results by sliding pots between three temperatures zones.

**PowerBoost**

PowerBoost provides quick, intense heat

**Heat memory**

If cooking is interrupted, Heat Memory retains your hob settings for 120 seconds.

**Anti-fingerprint matte finish**

The anti-fingerprint matte finish with unique surface treatment resists marks\* for easy maintenance. \*Based on external tests, compared to our standard hob surface without special treatment or coating.

**Individual zone controls**

Individual Zone Controls with separate timers and independent functions including PowerBoost and ActiveTouch.

**Pause Function**

The pause function sets zones to the lowest setting to keep dishes warm and prevent overcooking.

**Hob2Hood**

Hob2Hood automatically adjusts your hood settings so you can focus on creating delicious dishes.

### BENEFITS

---

**MATTE BLACK SOPHISTICATION**

Make a powerful visual statement in your kitchen with an innovative induction cooktop that blends elegance with innovation. The matte black finish is less reflective than a standard ceramic glass surface for a modern design aesthetic. This premium matte black cooktop exudes a sophisticated style that will enhance every kitchen design, from contemporary to classic.

**CUSTOMISE YOUR COOKING AREA**

The FlexiBridge is ideal for when youre working with large pans or preparing many dishes at the same time. Customise cooking area for a long pan or cook lots of dishes separately at different temperatures with this fully adaptable zone.

**LESS SCRATCHES WITH ELEGANT SAPHIRMATT**

Keep your hob looking newer for longer with our SaphirMatt ceramic glass, which effectively reduces the appearance of fine scratches from everyday use. The exceptional durability of SaphirMatt, features scratch-resistant properties that surpass those of conventional ceramic hob surfaces\*. \*Based on external tests, compared to our standard hob surface without special treatment or coating.

---

**SLIDE FROM SEAR TO SIMMER**

The ProverSlide function allows you to slide your pots between the three pre-set temperature zones so that you can easily control the cooking levels. This is ideal for bringing sauces to the boil, simmering and then keeping warm for delicious results.

---

**INTUITIVE, CONTINUOUS COOKING**

Keep your cooking on course with Heat Memory. If the pot is lifted from the hob, or if spills occur, the intuitive user interface retains your current heat settings for 120 seconds, preventing the need to reset power. With Heat Memory, precise heat is continuously maintained to help create memorable meals.

---

**MORE EFFICIENT CLEANING**

Maintain an immaculate surface effortlessly with the anti-fingerprint matte finish. This unique ceramic glass treatment resists marks during everyday cooking. Simply wipe the cooktop with a damp cloth to restore a streak-free appearance with ease. \*Based on external tests, compared to our standard cooktop surface without special treatment or coating.

---

**A FRESHER KITCHEN. HANDS-FREE.**

The wireless Hob2Hood function automatically adjusts your hood settings based on how you are cooking, leaving your hands free to focus on the food. The hood lights will automatically illuminate when your hob turns on and the fan speed will adjust depending on how powerfully you are cooking.

---

## Specifications

### PRODUCT PROFILE

Domestic warranty details (yrs)	5
Cooktop type	induction
Materials/Colour	matte black
Trim finish	bevelled sides only

### DIMENSIONS

Total product height (mm)	50
Total product width (mm)	590
Total product depth (mm)	520
Cut out width (mm)	560
Cut out depth (mm)	490
Cut out height (mm)	44

### CONTROLS

Controls of Cooktops	Touch and Slide controls
Position of controls	front
Functions of Cooktops	acoustic signal,automatic switch off,pause,Hob2Hood,Child-lock,Individual zone timers,Bridging,PowerBoost,PowerSlide,FlexiBridge
Indicators/display	3 level residual heat indicator

### ELEMENTS/BURNERS

#### LEFT FRONT ZONE

Left front zone	FlexiBridge
Left front Watts	2300
Left front boost watts	3200
Left front diameter mm	220

## CONTROLS

Features of Cooktop	minute minder,safety child lock,function lock,sound off,key lock function,Hob2Hood Connectivity,Bridge zone,PowerSlide mode,FlexiBridge zone
Timer of Cooktop	Minute minder

## LEFT REAR ZONE

Left rear zone	FlexiBridge
Left rear watts	2300
Left rear diameter mm	220

## RIGHT FRONT ZONE

Right front zone	Bridge
Right front Watts	2300
Right front diameter mm	265

## RIGHT REAR ZONE

Right rear zone	Bridge
Right rear watts	2300
Right rear diameter mm	265

## ELECTRICAL SPECIFICATIONS

Connected load KW	7.35
Type of connection	hardwired

## SHIPPING

Shipping Volume (m3)	0.048
----------------------	-------

**SHIPPING**

---

Shipping Weight (Kg)	12.9
----------------------	------

---

Pack Dimensions Height (mm)	118
-----------------------------	-----

---

Pack Dimension Width (mm)	678
---------------------------	-----

---

Pack Dimension Depth (mm)	600
---------------------------	-----

---

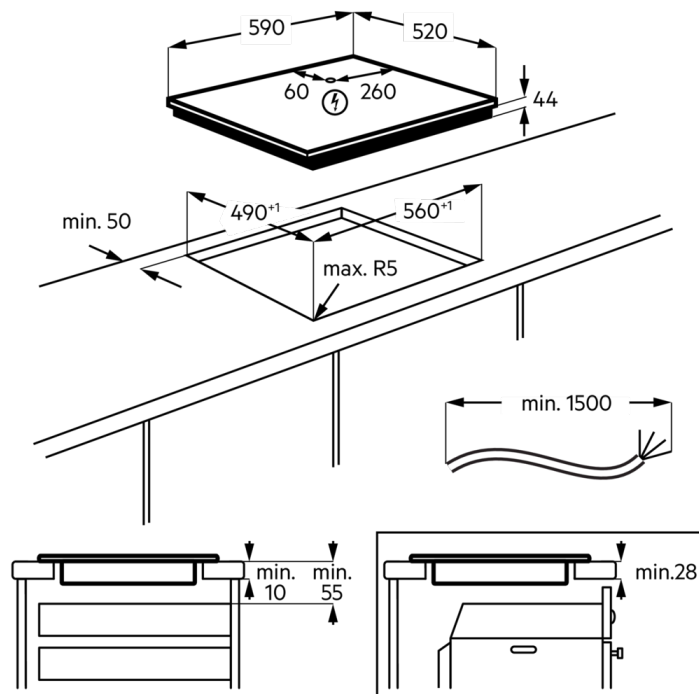
## Dimensions

# AEG

### DIMENSION AND INSTALLATION GUIDE

**6000 SERIES**  
**NII64G00FZ**  
 60CM BUILT-IN INDUCTION HOB

Dimensions	Width (mm)	Height (mm)	Depth (mm)
Cut-out (mm)	560	44	490
Product (mm)	590	48	520



**IMPORTANT**

These dimensions are a guide only. All measurements are in millimetres (mm).  
 For complete installation instructions, refer to the manual provided with product.

© 2024 Electrolux S.E.A PTE. LTD. AEG\_DIM\_NII64G00FZ\_Oct24

## Terms and Conditions

### IMPORTANT

This is a guide of product dimensions only. For complete installation instructions, refer to the manual provided with product.

### PRODUCT INFORMATION

The descriptors and illustrations in this publication apply to the specific products and models described as at the date of issue. Under our policy of continuous product development, product specifications may change without notice. Prospective purchasers should therefore check with their retailer to ensure this publication correctly describes the products that are being offered for sale. All information supplied is to be used for general reference purposes only and is on the understanding that Electrolux Home Products Pty Ltd (Australia) and Electrolux (NZ) Ltd (New Zealand) will not be liable for any loss, liability or damage of whatever kind arising as a result of reliance on such information. Colours of products illustrated are as close as printing limitations allow. Electrolux will at all times comply with its obligations pursuant to law including Trade Practices (Australian Consumer Law) Act and Regulations.

### WARRANTY

Electrolux Home Products warrants that for domestic applications the AEG appliances featured are free from defects in materials and workmanship for 5 years (3 months warranty for commercial applications). All warranties are subject to the conditions set out in the warranty card accompanying the product when purchased.

#### ELECTROLUX HOME PRODUCTS AUSTRALIA

telephone: 1300 363 664

fax: 1800 350 067

email: [customercare@aegaustralia.com.au](mailto:customercare@aegaustralia.com.au)

web: [www.aeg.com/au](http://www.aeg.com/au)

#### ELECTROLUX HOME PRODUCTS NEW ZEALAND

telephone: 0800 10 66 10

fax: 09 573 2221

email: [customercare@electrolux.co.nz](mailto:customercare@electrolux.co.nz)

web: [www.aeg.com/au](http://www.aeg.com/au)