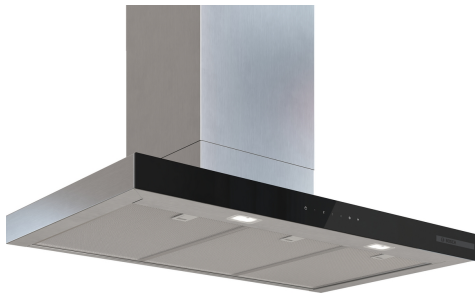


**Series 6, Wall-mounted canopy
rangehood, 90 cm, Stainless steel
look
DWB97DN30A**



- **Eco Silence Drive™**: the quiet, energy-saving and powerful motor for rangehoods.
- **Smart Hood Automatic**: adjusts the fan speed based on cooktop* settings for stress-free cooking.
- **DirectSelect**: easy selection of desired power and light settings.
- **LED Illumination**: perfect illumination of your cooking with adjustable light temperature.
- **Filter saturation monitoring**: automatic reminders to clean your metal grease filters.

Color chimney:	Stainless steel look
Typology:	Wall-mounted
Length electrical supply cord:	130 cm
Height of product, without chimney:	60 mm
Minimum distance above an electric hob:	600 mm
Minimum distance above a gas hob:	650 mm
Net weight:	15.2 kg
Type of control:	Electronic
Number of speed settings:	3-stages + intensive setting
Max. air extraction:	399 m ³ /h
Boost position output recirculating:	677.0 m ³ /h
Max. air recirculation:	410 m ³ /h
Boost position air extraction:	699 m ³ /h
Number of lights:	2
Noise level:	56 dB(A) re 1pW
Diameter of air outlet:	150 mm
Grease filter material:	Washable stainless steel
EAN code:	4242005530519
Connection rating:	115 W
Voltage:	220-240 V
Frequency:	50 Hz
Plug type:	AU plug
Installation type:	Wall-mounted



Series 6, Wall-mounted canopy rangehood, 90 cm, Stainless steel look DWB97DN30A

Design:

- Wall-mounted
- Suitable for ducted or recirculated extraction

Features:

- EcoSilence Drive: Efficient BLDC technology
- 2 x LED 3W with adjustable colour temperature lights
- SoftLight: the lighting elements switch on and off smoothly.
- Dimming function: the brightness of the lighting elements can be adjusted.
- Colour Temperature: 3500 K
- Light Intensity: 461 lux
- 3 metal grease filter(s)

Comfort Features:

- Glass fascia front panel with integrated control elements for an easy operation
- Electronic control via backlit TouchControl
- 3 power settings plus intensive setting
- Automatic reset from intensive to normal setting after 6 min
- Automatic after running (10 minutes)

Digital Features:

- Home Connect: operate, monitor and set preferences of your rangehood via smartphone or tablet
- Cooktop-based rangehood control: automatically activates the rangehood when cooking, thanks to the WiFi connection of the rangehood and a suitable cooktop.
- Smart Hood Automatic: Rangehood automatically adapts fan speed thanks to cooktop continuously providing cooking data (works with all current Series 6 induction hobs; for other Home Connect cooktops, the rangehood can be controlled directly from the cooktop, provided a connected Home Connect account is available)
- Voice Control enabled via popular voice assistants
- Customisable Performance Profiles: choose between standard, performance or silence profiles to increase the extraction rate or reduce the fan noise via Home Connect App
- LED light with adjustable light temperature: Allows you to adapt the light temperature to your personal needs via Home Connect App
- Saturation indicator, set and reset function for grease filter and odour filter available via Home Connect app
- After run function: available via Home Connect App
- Interval function: available via Home Connect App
- The Home Connect functionality can be extended by integrating numerous applications from external cooperation partners (partnerships)
- Updateable appliance (available with connected Home Connect account): keep appliance always up to date with latest status of software.

Cleaning Comfort:

- Easy to clean smooth surfaces and materials
- Metal grease filter dishwasher-safe
- Coated surfaces to reduce fingerprints

Exhaust/Ducted Mode:

- According to EN 61591 and EN/ IEC 60704-2-13 your appliance can achieve the following values in exhaust mode:
- Speed 1: extraction rate 242 m³/h; noise level 43 dB(A) re1pW
- Speed 2: extraction rate 335 m³/h; noise level 51 dB(A) re1pW
- Speed 3: extraction rate 399 m³/h; noise level 56 dB(A) re1pW
- Intensive Speed 1: extraction rate 699 m³/h; noise level 68 dB (A) re1pW

Recirculation Mode:

- For recirculation operation Long-life Clean Air recirculation kit (accessory) needed
- According to EN 61591 and EN/ IEC 60704-2-13 your appliance can achieve the following values in recirculation mode with Long-life Clean Air recirculation kit (available as optional accessory):
- Speed 1: extraction rate 239 m³/h; noise level 50 dB(A) re1pW
- Speed 2: extraction rate 334 m³/h; noise level 59 dB(A) re1pW
- Speed 3: extraction rate 410 m³/h; noise level 64 dB(A) re1pW
- Intensive Speed 1: extraction rate 677 m³/h; noise level 73 dB (A) re1pW
- The Long-life Clean Air odour filter absorbs intense odours, such as fish, as well as pollen. The lifetime can be extended up to 4 times by refreshing the filter in the oven

Technical Information:

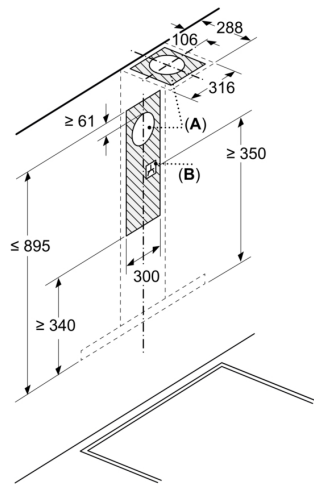
- Consumption data:
- Power rating: 115 W
- Voltage: 220 - 240 V
- Sustainability:
- Made in Germany: produced at a CO₂ neutral production site
- Expanded plastic free packaging

Planning and Installation Information:

- Reduced assembly effort thanks to the easy installation method
- Dimensions exhaust air (HxWxD): 635-895 x 898 x 500 mm
- Dimensions recirculating (HxWxD): 803-943 x 898 x 500 mm
- Diameter pipe Ø 150 mm
- Electrical cable length 1.3 m

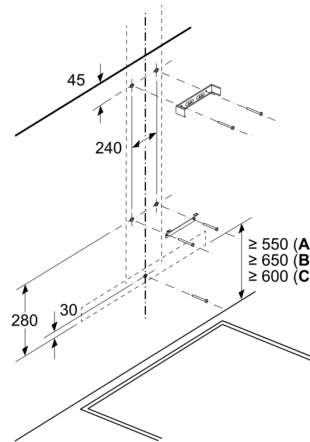
**Series 6, Wall-mounted canopy
rangehood, 90 cm, Stainless steel
look
DWB97DN30A**

Measurements in mm



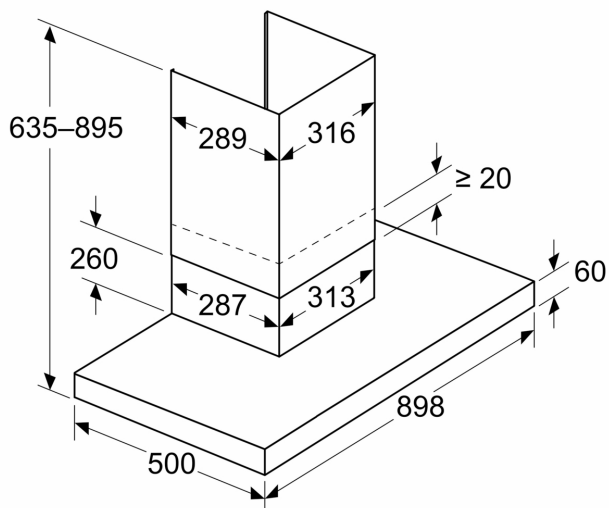
A: Exhaust air
B: Electrical connection

Measurements in mm
Wall installation with chimney

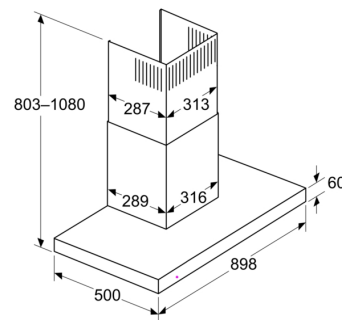


A: Electric
B: Gas - from upper edge of pan support
C: Electric - for Australia and New Zealand

Measurements in mm
Appliance in exhaust air mode



Measurements in mm
Recirculation perspective



Recirculation mode with recirculation kit (the recirculation kit is only available as a separate accessory)

Measurements in mm
Wall panel depth

