

**Series 8, integrated rangehood, 86 cm, Stainless steel
DHL895DAU**



Optional accessories

DHZ5605 : Standard recirculation kit

The integrated rangehood: offers a sleek and seamless design in the kitchen with fully integrated installation.

- **Silent:** maximum extractor performance with little noise
- **EcoSilence Drive™:** the powerful, energy-saving drive for hoods.
- **LED lighting:** for perfect, energy-efficient illumination of the cooktop.
- **Intensive speed setting:** removes strong kitchen odours especially quickly and effectively.
- With exhaust, the air is cleaned by a grease filter and then ducted to the outside which ensures optimal kitchen air quality.

Technical Data

Typology : Built-in/Built-under

Approval certificates : Australia Standards, CE, VDE

Length electrical supply cord : 150 cm

Required niche size for installation (HxWxD) : 418mm x 836.0mm x 264mm mm

Minimum distance above an electric cooktop : 500 mm

Minimum distance above a gas cooktop : 650 mm

Net weight : 9.7 kg

Type of control : Electronic

Number of power settings : 3-stages + intensive setting

Maximum output air extraction : 610 m³/h

Boost position output recirculating : 727 m³/h

Maximum output recirculating air : 563 m³/h

Boost position air extraction : 800 m³/h

Number of lights : 2

Noise level : 64 dB(A) re 1 pW

Diameter of air outlet : 120 / 150 mm

Grease filter material : Washable aluminium

EAN code : 4242005141241

Connection Rating : 172 W

Fuse protection : 3 A

Voltage : 220-240 V

Frequency : 50 Hz

Plug type : AU plug

Installation type : Built-in



Series 8, integrated rangehood, 86 cm, Stainless steel DHL895DAU

The integrated rangehood: offers a sleek and seamless design in the kitchen with fully integrated installation.

Design & Innovation

- Canopy Stainless steel
- Appliance colour: Stainless steel
- Accessory required for recirculation mode: Standard recirculation kit

Power and Mode of Operation

- 3 power settings plus intensive setting
- Extraction rate according to EN 61591 \varnothing 15 cm:
max. Normal use 610 m³/h
Intensive 800 m³/h
- Ducted and recirculated-air operation
- Electronic controls via Push button controls with Electronic display
- EcoSilence BLDC brushless motor
- Rim ventilation
- Noise min./max. Normal Level: 41/64 dB
- Power rating: 172 W

Comfort & Convenience

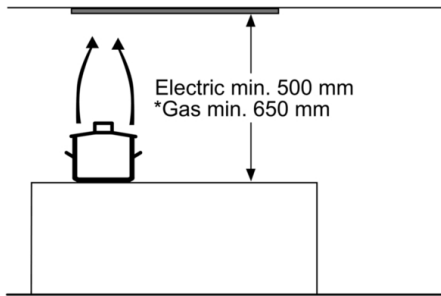
- Dishwasher safe metal grease filters
- Intensive operation automatic revert - 6min
- Automatic run on time - 30 min
- 2 x 1 Watt LED lights
- Saturation display for filters

2 year warranty

Technical Information

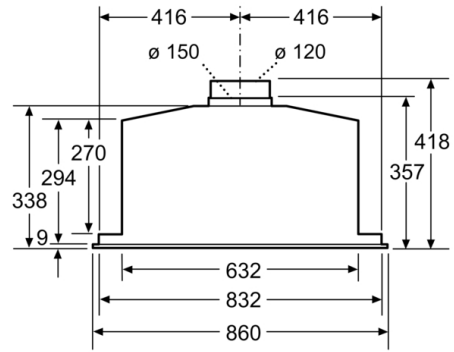
- Dimensions exhaust air (HxWxD): 418-418 x 860 x 282 mm
- Dimensions recirculating (HxWxD): 418-418 x 860 x 282 mm
- Diameter pipe \varnothing 150 mm (\varnothing 120 mm enclosed)
- Electrical cable length 1.5 m

**Series 8, integrated rangehood, 86 cm,
Stainless steel
DHL895DAU**

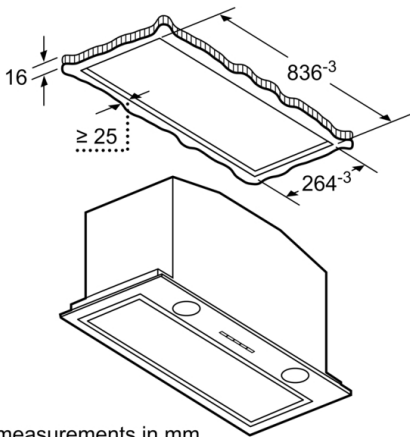


* from upper edge of pan support

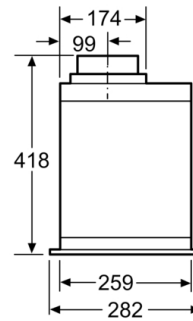
measurements in mm



measurements in mm



measurements in mm



measurements in mm