

376L Built-in bottom freezer fridge with Maxispace, GreenZonePlus crisper, ExtraZone drawer and inner liner made from 70% recycled plastic.

RRP AUS \$0.00



Product Details

FEATURES

MaxiSpace

45% more storage capacity*withMaxiSpace.
*Compared to our standard size fridge

GreenZonePlus

GreenZonePlus preserves fresh produce for longer.

ExtraZone

Your dedicated space for different type of food.

Recycled Inner Cavity

BENEFITS

45% BIGGER CAPACITY*

Thanks to MaxiSpace, you get 45% more capacity than our standard size fridge*. Its taller and wider than regular refrigerators, offering plenty of space for numerous items.
*Compared to our standard size fridge

YOUR DEDICATED SPACE

Extra pull-out drawer for better accessibility and visibility, so you can organize your fridge at best, avoiding mixing of food.

PEAK FRESHNESS FOR LONGER

The GreenZonePlus drawer keeps fruits and vegetables fresher for longer. The sealing lid ensures that the environment is separated from the rest of the fridge. And the humidity slider allows you to adjust humidity, helping to maintain the ideal environment in the crisper.

BETTER FOR THE ENVIRONMENT

Introducing the unique fridge made with 70% recycled plastic in the inner cavity and 15% recycled plastic overall. Designed for circularity, plastic from discarded fridges is recycled to make new refrigerators, reducing the amount of waste for less environmental impact. *Inner liner RHIPS is made with up to 70% recycled plastic

Specifications

PRODUCT PROFILE

Domestic warranty details (yrs)	5
Refrigerator Type	bottom mount
Exterior door finish	Cabinetry required (not included)
Fridge door opening	reversible
Cooling system	frost free
Refrigerant	R600a
Compressor	Inverter

ENERGY

Energy Star Rating AS/NZS 4474.2:2009	6
---------------------------------------	---

DIMENSIONS

Total height (mm)	1884
Total width (mm)	696
Total depth (mm)	549
Air space above total height (mm)	10
Food Compartment Capacity (L) - AS/NZS 4474.1 2007 (IEC 62552-2015) *	287
Freezer Compartment Capacity (L) - AS/NZS 4474.1 2007 (IEC 62552-2015) *	89
Total Capacity (L) - AS/NZS 4474.1 2007 (IEC 62552-2015) *	376

REFRIGERATOR SYSTEM

Control functions	quick freeze function
-------------------	-----------------------

ENERGY

Energy consumption AS/NZS 4474.2:2009 (kWhr/yr)	193
---	-----

FOOD COMPARTMENT

SHELVING

Shelf material	glass
----------------	-------

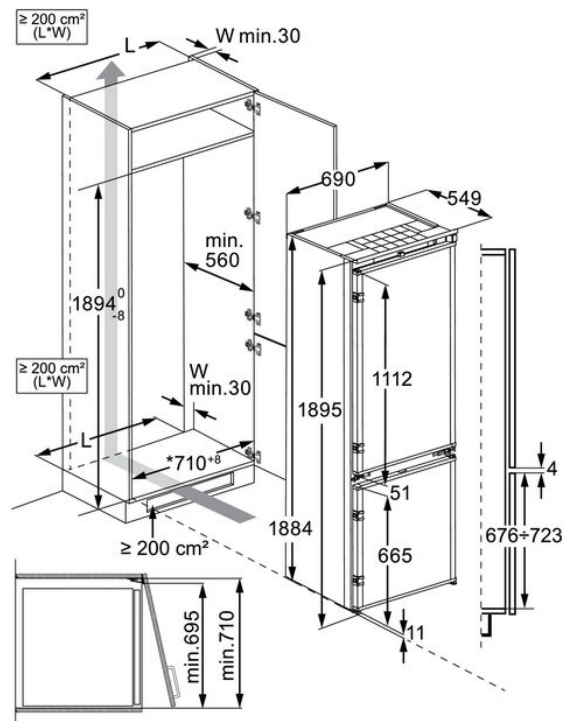
Dimensions



DIMENSION AND INSTALLATION GUIDE

OSC7P19ACF
BUILT-IN BOTTOM FREEZER REFRIGERATOR

Dimensions	Width (mm)	Height (mm)	Depth (mm)
Cut-out (mm)	710	1894	560
Product (mm)	690	1884	549



IMPORTANT

These dimensions are a guide only. All measurements are in millimetres (mm).
For complete installation instructions, refer to the manual provided with product.

© 2025 Electrolux S.E.A P.T.E. LTD. AEG_DIM_OSC7P19ACF_Aug25

Terms and Conditions

IMPORTANT

This is a guide of product dimensions only. For complete installation instructions, refer to the manual provided with product.

PRODUCT INFORMATION

The descriptors and illustrations in this publication apply to the specific products and models described as at the date of issue. Under our policy of continuous product development, product specifications may change without notice. Prospective purchasers should therefore check with their retailer to ensure this publication correctly describes the products that are being offered for sale. All information supplied is to be used for general reference purposes only and is on the understanding that Electrolux Home Products Pty Ltd (Australia) and Electrolux (NZ) Ltd (New Zealand) will not be liable for any loss, liability or damage of whatever kind arising as a result of reliance on such information. Colours of products illustrated are as close as printing limitations allow. Electrolux will at all times comply with its obligations pursuant to law including Trade Practices (Australian Consumer Law) Act and Regulations.

WARRANTY

Electrolux Home Products warrants that for domestic applications the AEG appliances featured are free from defects in materials and workmanship for 5 years (3 months warranty for commercial applications). All warranties are subject to the conditions set out in the warranty card accompanying the product when purchased.

ELECTROLUX HOME PRODUCTS AUSTRALIA

telephone: 1300 363 664

fax: 1800 350 067

email: customercare@aegaustralia.com.au

web: www.aeg.com/au

ELECTROLUX HOME PRODUCTS NEW ZEALAND

telephone: 0800 10 66 10

fax: 09 573 2221

email: customercare@electrolux.co.nz

web: www.aeg.com/au