

**60cm freestanding dishwasher, stainless steel, with 15 place settings, 8 wash programs including Auto and Hygiene programs, AutoDoor, Zone Wash option, adjustable upper basket when loaded and 45dB operation.**

RRP AUS \$1,249.00



## Product Details

### FEATURES

---

15 place settings  
A huge 15-place setting capacity

Auto mode

AutoDoor

Fast wash options

---

Flex adjust upper basket

Delay Start - 1 - 24 Hours

AquaStop

Wash progress indicator

---

Comfort Tray

Zone wash

72C Hygiene Program

---

### BENEFITS

---

#### Dry dishes every time

Say goodbye to wet dishes and hello to dry, sparkling results with AutoDoor. At the end of the wash cycle, the door, automatically opens to allow air to circulate throughout the interior. This accelerates the drying process, effectively eliminating moisture. No more towel-drying or waiting for dishes to air dry on the rack, with AutoDoor, your dishes are ready to be put away. AutoDoor not available for Fast 30 or Self Clean programs.

#### Adjustable convenience

Say goodbye to awkward stacking and hello to effortless organisation with our innovative Comfort Tray. With a simple slide, you can adjust the top cutlery tray, allowing you to effortlessly stack tall glasses and bulky items, ensuring every item gets the perfect clean.

---

#### Smarter washing

Flexible wash options tailored to your needs. Choose from three half-load settings for the best performance: Upper: Ideal for glasses and mugs in the top basket. Lower: Perfect for plates and bowls in the bottom basket. Upper and Lower: A smart half-load option where spray arms alternate for an efficient, thorough clean.

#### Adjusting the right cycle for you

Sensing the level of grime on your dishes, our smart sensor adjusts the temperature and wash cycle to ensure the best results possible.

---

#### Make room for larger items

Its now easier than ever to wash those bulky items in your dishwasher! Simply lift the basket up to raise the height to ensure the pots fit in underneath, or pull the handles on the side to drop the basket lower, so those wine glasses fit.

#### Fast wash, when you need it

Whether youre hosting a party or forgot to put the dishwasher on, our fast 30 and fast 58 minute programs ensure you can be ready in no time.

---

## Specifications

### PRODUCT PROFILE

---

Domestic warranty details (yrs)	2
---------------------------------	---

---

Type of Dishwashers	freestanding
---------------------	--------------

---

Place settings	15
----------------	----

---

Drying system	turbo dry
---------------	-----------

---

Number of spray arms	3
----------------------	---

---

Top shower	Yes
------------	-----

---

### DIMENSIONS

---

Total height (mm)	845
-------------------	-----

---

Total width (mm)	598
------------------	-----

---

### SPECIFICATION

---

Water Efficiency Star Rating	5.5
------------------------------	-----

---

WELS Registration Number	D03033
--------------------------	--------

---

Water consumption (litres)	11.1
----------------------------	------

---

Energy Efficiency Star Rating	4
-------------------------------	---

---

Energy consumption cold water (kWhr/yr)	246
---	-----

---

Noise level dBA	45
-----------------	----

---

Water supply	cold or hot (maximum 60°C)
--------------	----------------------------

---

Basket colour	grey
---------------	------

---

Service cord length	150
---------------------	-----

---

### WASH PROGRAMS

---

Number of Programs	8
--------------------	---

---

## DIMENSIONS

Total depth (mm)	598
Height adjustment (mm)	20

## CONTROL PANEL

Control panel type	LED Display
Top mounted control panel	No
Control panel finish	black
Knob or button finish	black
Display indicators	rinse aid,on/off ,wash program,half load ,delay start,start ,ExtraDry

## EXTERIOR

Door finish	stainless steel
Side colour	grey
Plinth colour (kickboard)	stainless steel

## WASH PROGRAMS

Programs	Auto,Eco,Fast 30",Fast 58",Gentle,Intensive,Quiet,Hygiene 72°C
Wash option	Extra dry,Power Wash,Zone Wash,Delay start (1-24 hours)

## FEATURES

Other Features	delay start,Soil Level Sensor,child lock on control panel,AutoDoor
Water safety system	overflow protection,aqua control
Filter system	3 stage
Dispenser	detergent,rinse aid
Number of spray levels	2

## UPPER BASKET

Upper basket features	height adjustable on full load
Foldable cup shelves	4
Foldable Racks	6

## LOWER BASKET

---

Foldable Racks	8
----------------	---

---

## HOSES

---

Inlet hose length	180
-------------------	-----

---

Drain hose length	167
-------------------	-----

---

Inlet hose length (metres)	1.80
----------------------------	------

---

Drain hose length (metres)	1.67
----------------------------	------

---

## STUFFING QUANTITIES

---

20ft	54
------	----

---

40ft	108
------	-----

---

40ft HC	159
---------	-----

---

## THIRD TRAY

---

Tray features	Sliding
---------------	---------

---

## SHIPPING

---

Shipping Weight (Kg)	49
----------------------	----

---

Pack Dimensions Height (mm)	885
-----------------------------	-----

---

Pack Dimension Width (mm)	645
---------------------------	-----

---

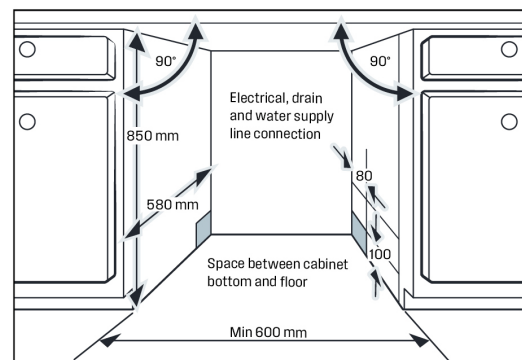
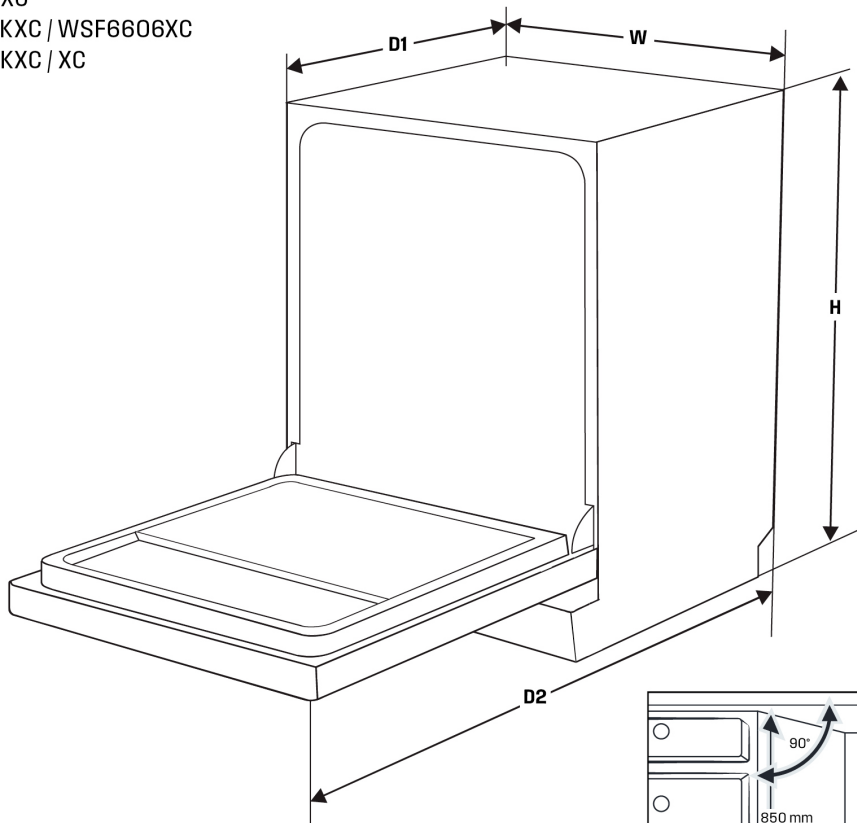
Pack Dimension Depth (mm)	645
---------------------------	-----

---

# Dimensions

## Freestanding Dishwasher

WSF6602WC / WSF6602XC  
 WSF6604XC  
 WSF6606KXC / WSF6606XC  
 WSF6608KXC / XC



	Width	Height	Depth 1	Depth 2
<b>Cut out (mm)</b>	600	850	580	-
<b>Product (mm)</b>	598	845	598	1175

**IMPORTANT**

These dimensions are a guide only. All measurements are in millimetres (mm). For complete installation instructions, refer to the manual provided with product.

© 2025 Electrolux Home Products Pty Ltd. ABN 51 004 762 341. WHS\_IM\_Diag\_Freestanding\_Dishwasher\_Aug25

## Terms and Conditions

### IMPORTANT

This is a guide of product dimensions only. For complete installation instructions, refer to the manual provided with product.

### PRODUCT INFORMATION

The descriptors and illustrations in this publication apply to the specific products and models described as at the date of issue. Under our policy of continuous product development, product specifications may change without notice. Prospective purchasers should therefore check with their retailer to ensure this publication correctly describes the products that are being offered for sale. All information supplied is to be used for general reference purposes only and is on the understanding that Electrolux Home Products Pty Ltd (Australia) and Electrolux (NZ) Ltd (New Zealand) will not be liable for any loss, liability or damage of whatever kind arising as a result of reliance on such information. Colours of products illustrated are as close as printing limitations allow. Electrolux will at all times comply with its obligations pursuant to law including Trade Practices (Australian Consumer Law) Act and Regulations.

### WARRANTY

This warranty only applies to Appliances purchased and used in Australia or New Zealand and used in normal domestic applications and is in addition to (and does not exclude, restrict, or modify in any way) any non-excludable statutory warranties in Australia or New Zealand. All warranties are subject to the conditions set out in the warranty card accompanying the product when purchased.

#### ELECTROLUX HOME PRODUCTS AUSTRALIA

telephone: 1300 363 640

fax: 1800 350 067

email: [customercare@electrolux.com.au](mailto:customercare@electrolux.com.au)

web: [www.electrolux.com.au](http://www.electrolux.com.au)

#### ELECTROLUX HOME PRODUCTS NEW ZEALAND

telephone: 09 573 2230

fax: 09 573 2221

email: [customercare@electrolux.co.nz](mailto:customercare@electrolux.co.nz)

web: [www.electrolux.co.nz](http://www.electrolux.co.nz)