

**Series 6, Built-in oven, 60 x 60 cm,
Stainless steel
HBA572ES3A**



HEZ327000 Pizza stone, HEZ32WA00 Wireless food thermometer, HEZ531010 Baking tray, non-stick ceramic coated, HEZ532010 Universal pan, non-stick ceramic coated, HEZ538000 1fold telescopic rail, level independent, HEZ617000 Pizza pan, enamelled, HEZ629070 Air Fry & Grill tray, HEZ631070 Baking tray, enamelled, HEZ632070 Multipurpose pan, enamelled, HEZ633001 Lid for professional pan, enamelled, HEZ633070 Professional pan with grid, enamelled, HEZ633073 Professional pan, enamelled, HEZ634000 Baking and roasting grid, HEZ636000 Glass pan, HEZ638000 Full ext rails, level independent, HEZ660060 Strip, HEZ915003 Glass roasting dish, 5,4 L

Healthy cooking: Air Fry Function for perfectly fried foods with hardly any oil and pyrolytic self-cleaning.

- **Air Fry Function with tray:** for perfectly fried foods, such as vegetables and chips.
- **AutoPilot 10:** every dish is a perfect success thanks to 10 pre-set automatic programs.
- **LED Touch Control:** simple access to heating modes, temperature and extra functions via touch buttons.
- **3D Hotair:** even heat distribution for perfect results on up to three levels.
- **Pyrolytic self-cleaning:** less cleaning effort thanks to automatic self-cleaning.

Color / Material Front: Stainless steel
 Built-in / Free-standing: Built-in
 Door opening: Drop down
 Cleaning : Pyrolytic+Hydrolytic
 Control Panel Material: Stainless steel
 Door Material: Glass
 Dimensions (HxWxD): 595x594x548 mm
 Dimensions of the packed product (HxWxD): 675 x 660 x 690 mm
 Required niche size for installation (HxWxD): 585-595 x 560-568 x 550 mm
 Cavity dimensions: 357 x 480 x 415 mm
 Usable volume of cavity: 71 l
 Net weight: 38.2 kg
 Gross weight: 39.7 kg
 EAN code: 4242005464685
 Connection rating: 3600 W
 Fuse protection: 16 A
 Voltage: 220-240 V
 Frequency: 50; 60 Hz
 Length electrical supply cord: 120.0 cm



Series 6, Built-in oven, 60 x 60 cm, Stainless steel HBA572ES3A

drawing

Healthy cooking: Air Fry Function for perfectly fried foods with hardly any oil and pyrolytic self-cleaning.

Heating Functions

- Oven with 7 heating methods:
- AirFry, Full width grill, Hotair gentle, 3D Hotair, Top/bottom heating, Pizza setting, Hot air grilling
- Temperature range 30 °C - 275 °C
- Cavity volume: 71 net usable litres
- Cavity: smooth

Racks and Rails

- Number of shelf levels: 5
- 1 level telescopic rail

Design

- Touch control
- Cavity inner surface: enamel
- Extra large capacity oven

Cleaning

- Pyrolytic self-cleaning function
- Cleaning Assistance (HydroClean program)
- Full glass inner door

Convenience

- Electronic clock/timer with end time programming
- Automatic temperature proposal, Actual temperature display
- AutoPilot, 10 automatic programs
- Bar handle
- Automatic programs
- Automatic rapid heat function
- Halogen lighting
- Integrated cooling fan

Accessories

- 1 x air fry & grill tray, 1 x combination grid, 1 x universal pan

Safety Features

- Maximum door temperature 30° C
- Low door temperature during pyrolytic cleaning
- Quadruple glazed CoolTouch door
- Electronic door lock, Child lock, Automatic safety switch off function, Start button

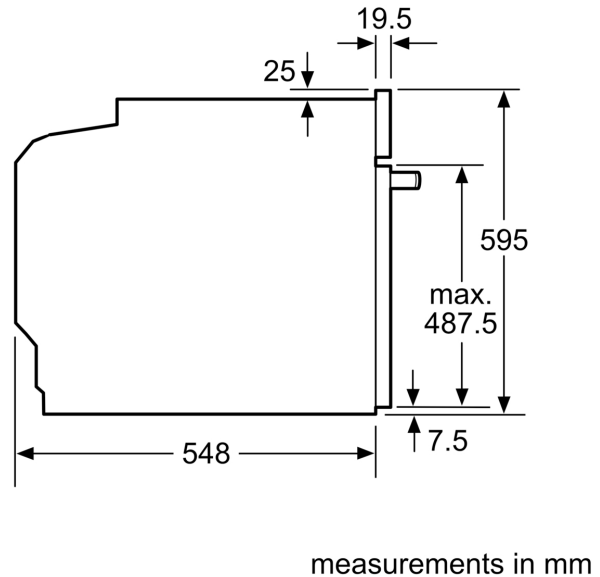
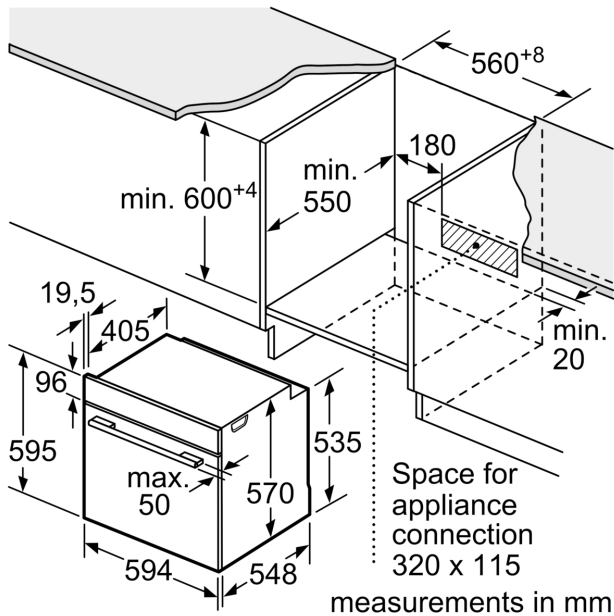
Technical Information

- Length of mains cable: 120 cm
- Nominal voltage: 220 - 240 V
- Total connected load electric: 3.6 KW

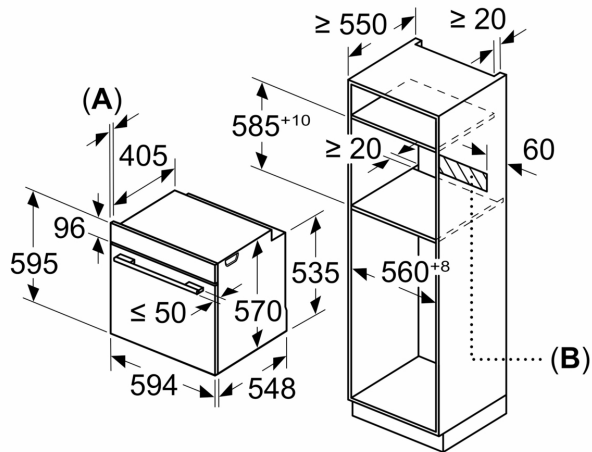
Dimensions

- Appliance dimensions (HxWxD): 595 mm x 594 mm x 548 mm
- Installation dimensions (HxWxD): 585 mm - 595 mm x 560 mm - 568 mm x 550 mm
- Please reference the built-in dimensions provided in the installation

**Series 6, Built-in oven, 60 x 60 cm,
Stainless steel
HBA572ES3A**



Measurements in mm



A: 19.5 mm
B: Space for appliance connection 320 x 115 mm

Installation with a hob.

