

Wash a 10kg load in just 45min thanks to its IntelliQuick cycle. Its UltraMix technology thoroughly dissolves detergent, preventing visible residue on your clothes. Enjoy its SmartSelect UI, allowing you to adjust washing based on your needs and guiding you save energy, time and water. The Woolmark Blue programme is as gentle as handwashing for your delicate woollen garments.

RRP AUS \$1,379.00



Product Details

FEATURES

Woolmark Blue

The Woolmark-certified cycle is gentle for your hand and machine washable wool garments.**The wool cycle is certified The Woolmark Company. Follow the garment care label for drying and other laundry instructions.

Vapour Refresh

Vapour Refresh program uses vapour to help remove wrinkles and odours.

SmartSelect

SmartSelect adjusts washing based on your needs, guiding you to save energy, time and water.

Sanitise

Sanitise program wash and steam above 60°C to remove more than 99.99% of common bacteria & viruses.*** Tested for Candida albicans, MS2 Bacteriophage and Escherichia coli in external test performed by Swisstatest Testmaterialien AG in 2021 ("Test Report No. 202120117, 20232072").

DelicatePlus

DelicatesPlus provides gentle care for all your delicates, helping them last for longer.

UltraMix

UltraMix technology thoroughly dissolves detergent, preventing visible residue on your clothes.

SensorWash

SensorWash sensors help to remove up to 53 different stains without pre-treatment or pre-washing.* *Tested on 5kg load stains from food, household and personal products using Cotton 40°C cycle + StainPro option. Results may vary depending on factors such as models, load size, type and duration of soiling, detergent type and water hardness.

IntelliQuick

IntelliQuick selects the best suited programme based on your laundry load size for precise care.

BENEFITS

QUICK 10KG WASH IN 45 MINS

New IntelliQuick smartly selects the quickest programme based on your laundry load for precise care and cleans 10kg load in 45 minutes. This removes any pre-laundry stress by providing efficient cleaning with the precise level of care for your clothes, making them last longer without additional energy or water usage.

PROTECT AND CARE FOR WOOL

The Wool Care programme is suited for machine washable wool cleaning and drying without shrinking.

NO VISIBLE DETERGENT RESIDUE*

With the UltraMix technology, detergent and softener are thoroughly dissolved and activated before they enter the drum. This helps to ensure that your clothes are cleaned with no visible detergent residue at the end of the cycle.**Tested on a 3kg mixed load, using recommended powder detergent dosage. Results may vary depending on load size, detergent type and water hardness.

RIGHT SETTINGS TO HELP SAVE

Select the cycle and tune the intensity according to your needs. Based on your choice, SmartSelect will provide feedback, adjusting the programme length and temperature, guiding you to save energy, time and water.

SANITISE YOUR CLOTHES*

The Sanitise Program, verified by Swisstest, combines a wash cycle and steam at above 60°C to remove more than 99.99% of common bacteria and viruses*. Pollen and allergens are also reduced for hygienically clean clothes after every wash.* Tested for Candida albicans, MS2 Bacteriophage and Escherichia coli in external test performed by Swisstest Testmaterialien AG in 2021 ("Test Report No. 202120117, 20232072").

DEDICATED CARE FOR DELICATES

DelicatesPlus helps extend the lifetime of your favourite clothes with optimised drum and washing motion and speed. DelicatesPlus is designed to offer gentle care for all your delicates, including premium cottons helping them last by reducing wear and tear from washing over time.

REFRESH WITHOUT WASHING

Quickly revitalise your garments and smooth out creases in under 30 minutes with the VapourRefresh cycle. Your clothes will emerge refreshed, with less wrinkles compared to air drying.**Less wrinkles vs. air drying - tested and certified by THTI

PERFECT WASHING WITH SENSORS

Wash out stubborn stains without the need for pre-treatments. SensorWash technology uses unique sensors to automatically detect dirt and soil levels and then adjusts the cycle duration accordingly. Can help to remove up to 53 different visible stains including oil, ketchup, fruits puree and pizza.**Tested on 5kg load stains from food, household and personal products using Cotton 40°C cycle + StainPro option. Results may vary depending on factors such as models, load size, type and duration of soiling, detergent type and water hardness.

Specifications

PRODUCT PROFILE

Washing Machine Type	Front load washing machine
----------------------	----------------------------

Domestic warranty details (yrs)	2
---------------------------------	---

Front Loader Type	Front Loader
-------------------	--------------

Design family (eline)	UC3
-----------------------	-----

Capacity (Kg)	10
---------------	----

Frontloader Wash system	UltraMix
-------------------------	----------

BUTTON FUNCTION

Dimension Button Functions	power/on/off,Start/Pause,Child Lock,Remote,Finish In,Favourite programs,SmartSelect,Hygienic Care,Prewash,Stain Pro,Spin,Temp,Wash
----------------------------	--

Reminder/ Indicators	end of cycle
----------------------	--------------

DIMENSIONS

PRODUCT

Total height (mm)	850
-------------------	-----

Total width (mm)	600
------------------	-----

Total depth (mm)	659
------------------	-----

ENERGY FOR WASHING

Water Efficiency Star Rating	4.5
------------------------------	-----

Water Consumption (litres)	86
----------------------------	----

Energy Efficiency Star Rating	5
-------------------------------	---

Energy Consumption Warm (KWhr/yr)	230
-----------------------------------	-----

WASH PROGRAMS

Number of Programs 13

Frontloader Wash programs spin, Bedding, Cotton, Wool, Vapour Refresh, Rinse & Spin, Quick 15, Eco Cotton, DelicatesPlus, Sanitise, IntelliQuick, Sports, Baby Care

Wash options wash temperatures, wash choice selection, Prewash, Quick wash, Extra Rinse, Favourite, Delay End, Start/Pause, Add Clothes, Hygienic Care

Dispenser detergent dispenser

Wash and Dry Programs N/A

Wash and Dry options N/A

BOWL

Drum material stainless steel

CABINET

Cabinet Colour white

CONTROLS

Type of controls electronic rotary, Touch button, SmartSelect

Control panel colour grey

Functions available Child Lock, APP notification, Spinning and draining phase indicator, Wi-Fi connection indicator

Type of display LED

DOOR

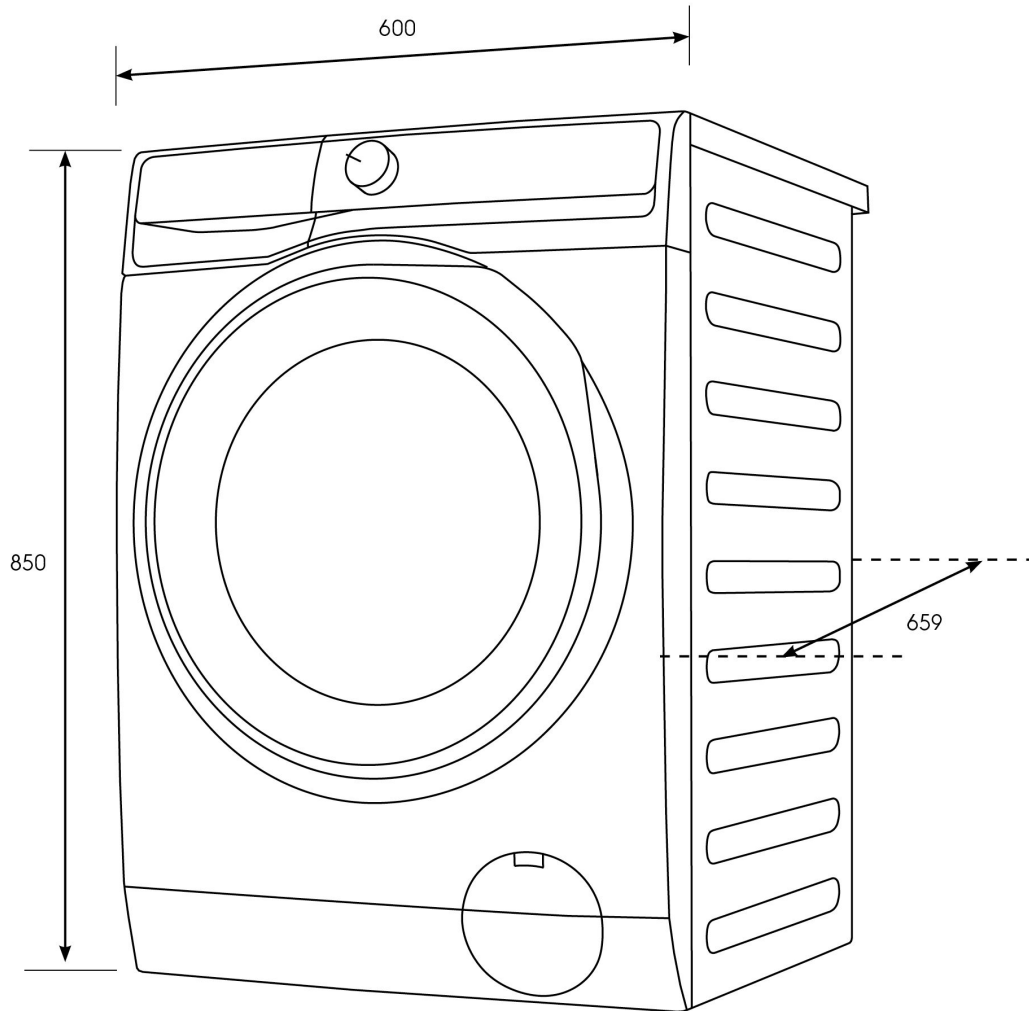
Door Colour Dark Onyx

door lock Yes

TECHNICAL

Dimensions

Model:
EWF1043R7WCS



© 2025 Electrolux S.E.A PTE. LTD. ELX_IM_Diag_EWF1043R7WCS_ANZ_EN_Jun25

Terms and Conditions

IMPORTANT

This is a guide of product dimensions only. For complete installation instructions, refer to the manual provided with product.

PRODUCT INFORMATION

The descriptors and illustrations in this publication apply to the specific products and models described as at the date of issue. Under our policy of continuous product development, product specifications may change without notice. Prospective purchasers should therefore check with their retailer to ensure this publication correctly describes the products that are being offered for sale. All information supplied is to be used for general reference purposes only and is on the understanding that Electrolux Home Products Pty Ltd (Australia) and Electrolux (NZ) Ltd (New Zealand) will not be liable for any loss, liability or damage of whatever kind arising as a result of reliance on such information. Colours of products illustrated are as close as printing limitations allow. Electrolux will at all times comply with its obligations pursuant to law including Trade Practices (Australian Consumer Law) Act and Regulations.

WARRANTY

This warranty only applies to Appliances purchased and used in Australia or New Zealand and used in normal domestic applications and is in addition to (and does not exclude, restrict, or modify in any way) any non-excludable statutory warranties in Australia or New Zealand. All warranties are subject to the conditions set out in the warranty card accompanying the product when purchased.

ELECTROLUX HOME PRODUCTS AUSTRALIA

telephone: 1300 363 640

fax: 1800 350 067

email: customercare@electrolux.com.au

web: www.electrolux.com.au

ELECTROLUX HOME PRODUCTS NEW ZEALAND

telephone: 09 573 2230

fax: 09 573 2221

email: customercare@electrolux.co.nz

web: www.electrolux.co.nz