

**Series 8, semi-integrated
dishwasher, 60 cm, Brushed steel,
Tall Tub
SBI8ECS01A**



**Better drying results with an automatic
door opening function during the end of
the cycle.**

- **Efficient Dry:** Automatic door opening at the end of the cycle for optimal drying.
- **Extra Clean Zone:** Extra cleaning for items in your top basket.
- **VarioDrawer™ Pro:** Provides extra loading flexibility and convenience for cutlery, cups and large utensils.
- **Silence Plus:** The remarkably quiet 42 dB dishwasher.
- **Rackmatic:** 3 Level adjustable top basket.

Maximum number of place settings: 15
 Water consumption in litres per cycle of the eco programme: ... 12.2 l
 Built-in / Free-standing: Built-in
 Height of removable worktop: 0 mm
 Required niche size for installation (HxWxD): 865-925 x 600 x 550 mm
 Depth with open door 90 degree: 1200 mm
 Adjustable feet: Yes - all from front
 Maximum adjustability feet: 60 mm
 Adjustable plinth: Both horizontal and vertical
 Net weight: 44.7 kg
 Gross weight: 47.0 kg
 Connection rating: 2400 W
 Fuse protection: 10 A
 Voltage: 220-240 V
 Frequency: 50; 60 Hz
 Length electrical supply cord: 175 cm
 Plug type: AU plug
 Length inlet hose: 165 cm
 Length outlet hose: 190 cm
 EAN code: 4242005512225
 Installation type: Semi-integrated

- SGZ1010 inlet and outlet hose extension
 SMZ5150AU Kick panel stainless steel
 SMZ5300 GlassSecure Tray



Series 8, semi-integrated dishwasher, 60 cm, Brushed steel, Tall Tub SBI8ECS01A

Better drying results with an automatic door opening function during the end of the cycle.

Capacity

- Capacity: 15 place settings place settings

Consumption rates

- 4 stars energy rating, 5 Star Water rating (WELS). D02994.
- Water consumption of 12.2 litres per wash using Eco AU in accordance with AS/NZS 6400 and Energy consumption of 245 kWh per year using the Eco AU program seven times per week. Consumption is based on cold water connection and is tested in accordance with AS/NZS 2007.2

Design

- Stainless steel interior tub
- SoftTouch buttons: Electronic soft-touch activated buttons
- Front facing control display
- Time remaining display
- Wash program status on display panel

Wash Programs and Options

- 8 Programmes:
- Eco Wash : Energy efficient wash & dry. Mixed loads & soil levels,
- Auto Intensive: for pots & pans and baked-on food & grease.,
- Auto wash: Wash & dry program for mixed loads and soil levels,
- Auto Gentle: Automatic wash & dry program for delicate and lightly soiled dishes,
- Quick 1h: quick wash & dry for mixed loads & soil levels,
- Express wash: Wash only for lightly soiled dishes,
- ExtraQuiet: extended quiet wash & dry program for mixed loads & soil levels,
- Favourite: set or download your favourite combination
- 4 special options: Remote Start: allows remote control and monitoring via HomeConnect, EfficientDry: Automatic door opening for improved drying and energy efficiency, HygienePlus : Extended increased temperature program for hygienic cleaning, SpeedPerfect : Reduce wash time even after cycle has started
- Machine Care: maintains your dishwasher's optimum performance and hygiene option

Performance

- Extra Clean Zone: Provides an even better cleaning result for items placed directly over the three rotating nozzles in the top basket
- Efficient Dry Auto Door Opening: improved drying result via automatic door opening at end of cycle
- EcoSilence Drive® quiet and energy-efficient brushless motor (BLDC)
- BLDC Main Pump: Variable water & spray pressure to achieve optimum cleaning results
- BLDC Drain Pump: Fast and extra quiet draining of water, no gurgling sounds
- DosageAssist™: Maximises the effectiveness of detergent tablets. The tablet is dropped into a specially engineered tray and is

completely dissolved. For superior cleaning performance and a quieter wash.

- AquaSensor™ technology: Regulates the water usage depending on the type and degree of soiling
- 3 stage self-cleaning filter system: design that helps reduce the need to wash the filter and prevents blockages
- AutoBrilliance™: Automatic detergent and rinse aid sensor
- 5 Spray levels for maximum water contact and optimum wash results
- Extra quiet program with lower dB(A) SuperSilence: Operates at low noise level of 42 dB(A)
- Add-On function via Home Connect app: Silence on demand
- HomeConnect via WiFi Connectivity

Flexibility

- VarioDrawer™ Pro: Third loading level for cutlery & utensils
- RackmaticPlus™: 3-stage top basket can be adjusted to three height levels to maximise convenience
- Basket system with red coloured touchpoints provides total flexibility for all loading requirements
- Anti-slip protection strips in upper rack
- Ball bearing on top basket for an easy glide
- Low friction wheels on bottom basket
- 2 foldable cup shelves with soft silicone edges in top basket
- 6 foldable plate racks in top basket, Height of dishes in top basket - min/max 18,0 cm / 23,0 cm
- 8 foldable plate racks in bottom basket, Height of dishes in bottom basket - min/max 33,0 cm / 28,0 cm
- Rack Stopper to prevent derailing of bottom basket
- Moveable cutlery basket in lower basket
- Glass rack in lower basket for tall stemmed glasses
- Time delay start: Delay program start time by 1-24 hours to suit your schedule

Safety

- AquaStop™ Plus: Water supply device with lifetime anti-flood protection
- Button child lock

Product Dimensions (H x W x D)

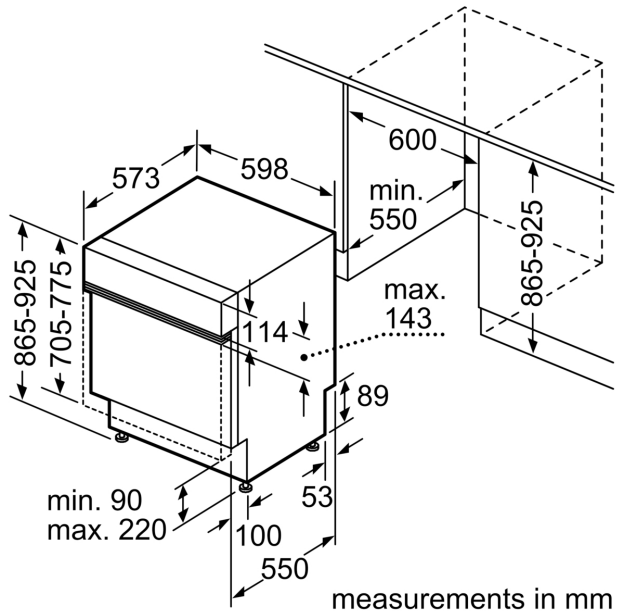
- Height 865-925 x Width 598 mm x Depth 573 mm

**Series 8, semi-integrated
dishwasher, 60 cm, Brushed steel,
Tall Tub
SBI8ECS01A**

measurements in mm



⌘ socket
() values with extension kit



measurements in mm