

**60cm freestanding dishwasher, stainless steel, with 14 place settings, 8 wash programs including Auto and Hygiene programs, FastDry system, half load option, adjustable upper basket and 46dB operation.**

RRP AUS \$1,099.00



## Product Details

### FEATURES

---

14 place settings

Fast wash programs

Auto mode

FastDry

Half load option

AquaStop

Delay Start - 1 - 24 Hours

72C Hygiene Program

---

### BENEFITS

---

**Adjusting the right cycle for you**  
Sensing the level of grime on your dishes, our smart sensor adjusts the temperature and wash cycle to ensure the best results possible.

**Big Items? No Problems. Slide and stack.**  
Large items can now fit with ease in the bottom basket with our height adjustable upper basket. Simply remove the upper basket and place back onto the rails to fit awkward items in.

---

**Fast wash, when you need it**  
Whether you're hosting a party or forgot to put the dishwasher on, our fast 30 and fast 58 minute programs ensure you can be ready in no time.

**Fast drying time**  
Say goodbye to damp dishes with our FastDry system. Our system dehumidifies hot steam before expelling it from the dishwasher, ensuring minimal humidity remains. So whether it's a big gathering and you need a plate fast or you just want to pack them away, FastDry is convenience made simple.

---

## Specifications

### PRODUCT PROFILE

---

Domestic warranty details (yrs)	2
---------------------------------	---

---

Type of Dishwashers	freestanding
---------------------	--------------

---

Place settings	14
----------------	----

---

Drying system	turbo dry
---------------	-----------

---

Number of spray arms	2
----------------------	---

---

Top shower	Yes
------------	-----

---

### DIMENSIONS

---

Total height (mm)	845
-------------------	-----

---

Total width (mm)	598
------------------	-----

---

### SPECIFICATION

---

Water Efficiency Star Rating	5
------------------------------	---

---

WELS Registration Number	D03032
--------------------------	--------

---

Water consumption (litres)	11.5
----------------------------	------

---

Energy Efficiency Star Rating	3.5
-------------------------------	-----

---

Energy consumption cold water (kWhr/yr)	275
---	-----

---

Noise level dBA	46
-----------------	----

---

Water supply	cold or hot (maximum 60°C)
--------------	----------------------------

---

Basket colour	grey
---------------	------

---

Service cord length	150
---------------------	-----

---

### WASH PROGRAMS

---

Number of Programs	8
--------------------	---

---

## DIMENSIONS

---

Total depth (mm)	598
------------------	-----

---

Height adjustment (mm)	20
------------------------	----

---

## CONTROL PANEL

---

Control panel type	LED Display
--------------------	-------------

---

Top mounted control panel	No
---------------------------	----

---

Control panel finish	black
----------------------	-------

---

Knob or button finish	black
-----------------------	-------

---

Display indicators	rinse aid,on/off ,wash program,half load ,delay start,start ,ExtraDry
--------------------	---

---

## EXTERIOR

---

Door finish	stainless steel
-------------	-----------------

---

Side colour	grey
-------------	------

---

Plinth colour (kickboard)	stainless steel
---------------------------	-----------------

---

## WASH PROGRAMS

---

Programs	Auto,Eco,Fast 30",Fast 58",Gentle,Intensive,Quiet,Hygiene 72°C
----------	--

---

Wash option	Half Load,Extra dry,Power Wash
-------------	--------------------------------

---

## FEATURES

---

Other Features	delay start,Soil Level Sensor,child lock on control panel
----------------	---

---

Water safety system	overflow protection,aqua control
---------------------	----------------------------------

---

Filter system	3 stage
---------------	---------

---

Dispenser	detergent,rinse aid
-----------	---------------------

---

Number of spray levels	2
------------------------	---

---

## UPPER BASKET

---

Upper basket features	adjustable top basket,Knifeshelf
-----------------------	----------------------------------

---

Foldable cup shelves	2
----------------------	---

---

Foldable Racks	6
----------------	---

---

## LOWER BASKET

---

Lower Basket Features	cutlery basket
-----------------------	----------------

---

Foldable Racks	8
----------------	---

---

## SHIPPING

---

Shipping Weight (Kg)	46
----------------------	----

---

Pack Dimensions Height (mm)	885
-----------------------------	-----

---

Pack Dimension Width (mm)	645
---------------------------	-----

---

Pack Dimension Depth (mm)	645
---------------------------	-----

---

## HOSES

---

Inlet hose length	180
-------------------	-----

---

Drain hose length	167
-------------------	-----

---

Inlet hose length (metres)	1.80
----------------------------	------

---

Drain hose length (metres)	1.67
----------------------------	------

---

## STUFFING QUANTITIES

---

20ft	54
------	----

---

40ft	108
------	-----

---

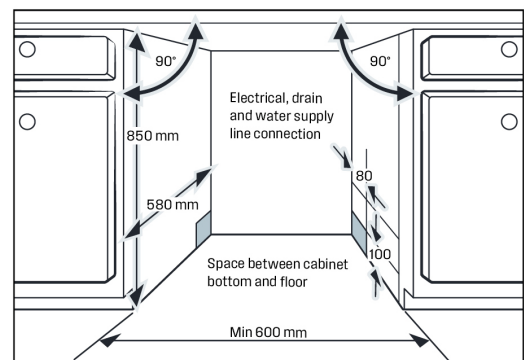
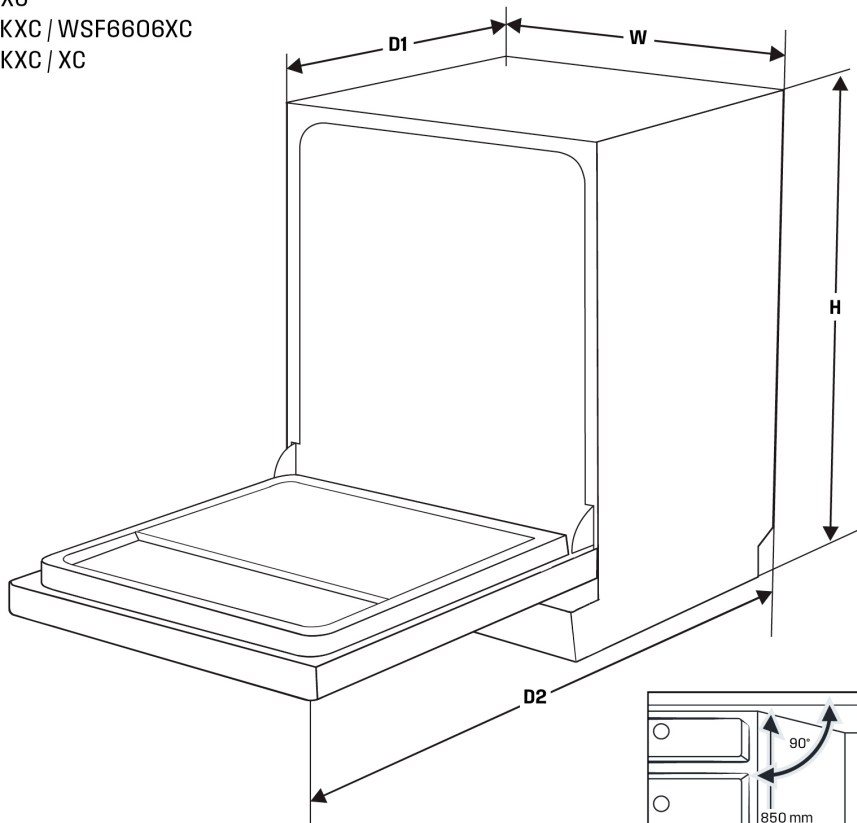
40ft HC	159
---------	-----

---

# Dimensions

## Freestanding Dishwasher

WSF6602WC / WSF6602XC  
 WSF6604XC  
 WSF6606KXC / WSF6606XC  
 WSF6608KXC / XC



	Width	Height	Depth 1	Depth 2
<b>Cut out (mm)</b>	600	850	580	-
<b>Product (mm)</b>	598	845	598	1175

**IMPORTANT**

These dimensions are a guide only. All measurements are in millimetres (mm). For complete installation instructions, refer to the manual provided with product.

© 2025 Electrolux Home Products Pty Ltd. ABN 51 004 762 341. WHS\_IM\_Diag\_Freestanding\_Dishwasher\_Aug25

## Terms and Conditions

### IMPORTANT

This is a guide of product dimensions only. For complete installation instructions, refer to the manual provided with product.

### PRODUCT INFORMATION

The descriptors and illustrations in this publication apply to the specific products and models described as at the date of issue. Under our policy of continuous product development, product specifications may change without notice. Prospective purchasers should therefore check with their retailer to ensure this publication correctly describes the products that are being offered for sale. All information supplied is to be used for general reference purposes only and is on the understanding that Electrolux Home Products Pty Ltd (Australia) and Electrolux (NZ) Ltd (New Zealand) will not be liable for any loss, liability or damage of whatever kind arising as a result of reliance on such information. Colours of products illustrated are as close as printing limitations allow. Electrolux will at all times comply with its obligations pursuant to law including Trade Practices (Australian Consumer Law) Act and Regulations.

### WARRANTY

This warranty only applies to Appliances purchased and used in Australia or New Zealand and used in normal domestic applications and is in addition to (and does not exclude, restrict, or modify in any way) any non-excludable statutory warranties in Australia or New Zealand. All warranties are subject to the conditions set out in the warranty card accompanying the product when purchased.

#### ELECTROLUX HOME PRODUCTS AUSTRALIA

telephone: 1300 363 640

fax: 1800 350 067

email: [customercare@electrolux.com.au](mailto:customercare@electrolux.com.au)

web: [www.electrolux.com.au](http://www.electrolux.com.au)

#### ELECTROLUX HOME PRODUCTS NEW ZEALAND

telephone: 09 573 2230

fax: 09 573 2221

email: [customercare@electrolux.co.nz](mailto:customercare@electrolux.co.nz)

web: [www.electrolux.co.nz](http://www.electrolux.co.nz)