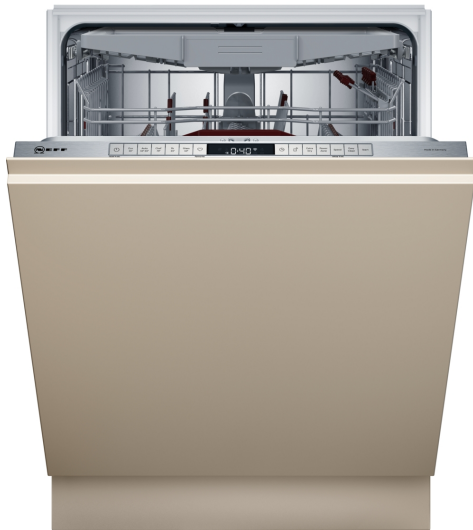


N 50, FULLY-INTEGRATED DISHWASHER, 60 CM  
S185HCX01A



The dishwasher with cutlery drawer, flexible loading options, WiFi connectivity, and offers the comfort of door opening with a light push.

- ✓ Flex 2 Baskets – Flexible baskets, three-stage Rack Matic and Flex Cutlery Drawer offer easy loading
- ✓ Door Open Assist – Just push the door gently to open.
- ✓ Chef 70°C – The program for getting stubborn residues off pots and casserole dishes.
- ✓ Favourite – Easily access your favourite settings or programmes.
- ✓ Aqua Stop: Neff's warranty in case of water damage – throughout the lifetime of the appliance.

Maximum number of place settings: ..... 15  
 Water consumption in litres per cycle of the eco programme: 11.0 l  
 Built-in / Free-standing: ..... Built-in  
 Height of removable worktop: ..... 0 mm  
 Dimensions of the product (HxWxD): ..... 815 x 598 x 550 mm  
 Required niche size for installation (HxWxD): 815-875 x 600 x 550 mm  
 Depth with open door 90 degree: ..... 1150 mm  
 Adjustable feet: ..... Yes - all from front  
 Maximum adjustability feet: ..... 60 mm  
 Adjustable plinth: ..... Both horizontal and vertical  
 Net weight: ..... 37.9 kg  
 Gross weight: ..... 40.0 kg  
 Connection Rating: ..... 2400 W  
 Fuse protection: ..... 10 A  
 Voltage: ..... 220-240 V  
 Frequency: ..... 50; 60 Hz  
 Length electrical supply cord: ..... 175.0 cm  
 Plug type: ..... AU plug  
 Length inlet hose: ..... 165 cm  
 Length outlet hose: ..... 190 cm  
 EAN code: ..... 4242004257486  
 Installation typology: ..... Fully Integrated



Z7710X0	inlet and outlet hose extention
Z780BI01	decorative strips stainless steel 81,5cm
Z7860X3	Stainless steel protection set 81,5 cm
Z7863X1	Rack insert for stemware dishwasher
Z7865X6	Attachment door, brushed steel
Z7870X0	Accessories dishwasher
Z7871X0	Silver polishing cassette
Z7880X0	Accessories dishwashers
Z788BI00	Connection rail for divided furniture

## N 50, FULLY-INTEGRATED DISHWASHER, 60 CM S185HCX01A

### Design

- Stainless steel interior tub
- Hidden control buttons - integrated into the top of the door
- Infolight : Program Status Indicator
- doorOpen Sensor - a push top open door system, perfect for handleless kitchens
- Time remaining display on the top of the door

### Programs and functions

- 6 programmes:
- Eco Wash: Energy efficient wash & dry for mixed loads & soil levels 45 °C,
- Auto wash: automatic wash & dry for mixed loads & soil levels 45-65 °C,
- Chef: Heavily soiled and crusted plates, pots and dishes 70 °C,
- 1 hour: quick wash & dry for mixed loads & soil levels 65 °C,
- Glass: for sensitive glassware, crystal & fine china 40 °C,
- Favourite: set or download your favourite combination of program and options
- Special options:
- Extra Dry: Provides an even better drying result by extending the drying time
- Intensive Zone: Transform the bottom basket into a powerful cleaning zone with higher water pressure and temperature
- Speed: Reduce the wash time, up to 50% faster, with no impact on wash performance.
- Easy Clean option
- Silence on demand (via app)

### Features

- Capacity: 15 place settings place settings
- Very quiet operation - 44 dB
- Basket system with coloured touch points provides total flexibility for all loading requirements
- FlexDrawer 2 cutlery drawer
- RackMatic 3 stage height-adjustable top basket, can be positioned at an angle for washing large plates in the bottom basket and tall stem wine glasses in the top basket
- Ball bearing on top basket for an easy glide
- Low friction wheels on bottom basket
- Anti slip protection in upper basket
- Rack Stopper to prevent derailing of bottom basket
- 6 foldable plate racks in top basket
- 6 foldable plate racks in bottom basket
- Moveable cutlery basket in lower basket
- Glass rack in lower basket for tall stemmed glasses
- Electronic delay timer: 1-24 hours

### Technical information

- 4 stars Star energy rating, 5,5 stars Star WELS water rating. D02547.
- Water consumption of 11 litres per wash using Eco AU in accordance with AS/NZS 6400 and Energy consumption of 245 kWh

per year using the Eco AU program seven times per week. Consumption is based on cold water connection and is tested in accordance with AS/NZS 2007.2

- 11 l water consumption per wash based on Cold water connection, using Eco Wash program. In accordance with AS/NZS 6400
- Height 815-875 mm x Width 598 mm x Depth 550 mm

### Additional information

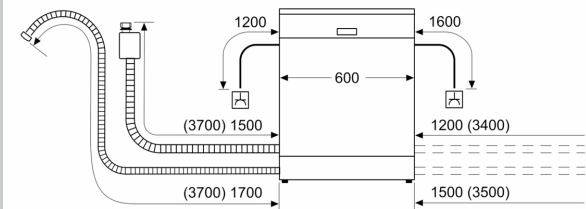
- hydroDry heat exchanger assists with condensation to help dry dishes
- AquaSensor® automatically adapts water usage depending on the degree of soiling
- DosageAssist ensures perfect cleaning results with every wash cycle. The tablet is dropped into a specially engineered tray and is completely dissolved
- Efficient SilentDrive long life brushless motor
- 3 stage self-cleaning filter system: design that helps reduce the need to wash the filter and prevents blockages
- 5 Spray levels for maximum water contact and optimum wash results
- HomeConnect via WiFi Connectivity
- End of program audible signal
- Neff AquaStop® water supply device with anti-flood protection
- Child-proof door lock (double push to open)

### Optional accessories

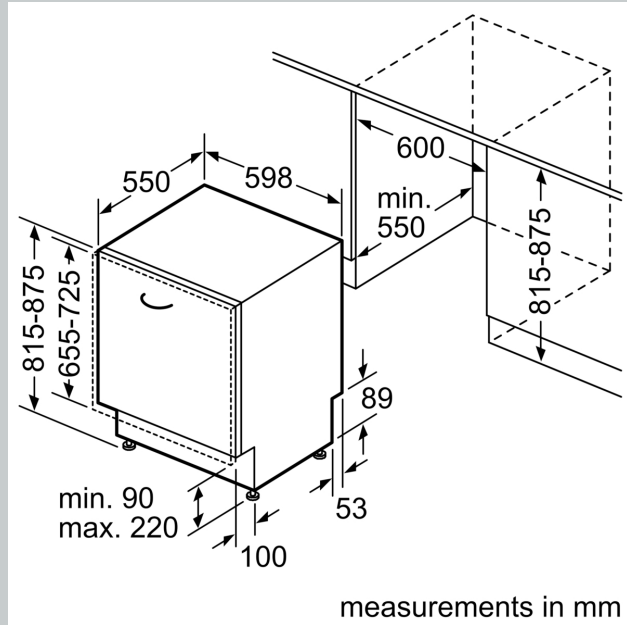
- Red large item spray head included for washing extra large items such as baking trays and rangehood filters, Vapor barrier plate included

N 50, FULLY-INTEGRATED DISHWASHER, 60 CM  
S185HCX01A

measurements in mm



socket  
( ) values with extension kit



measurements in mm