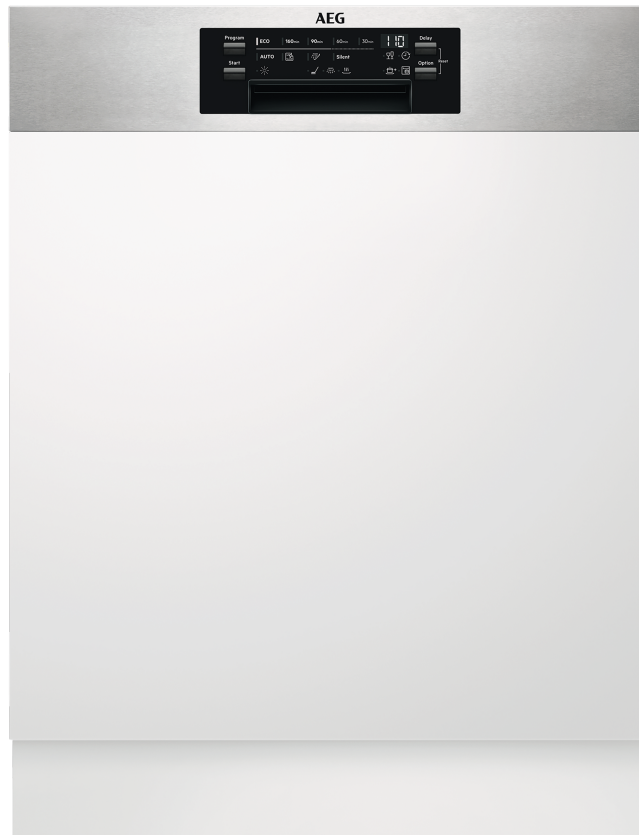


60cm semi-integrated dishwasher with 9 wash programs, stainless steel control panel, MaxiFlex cutlery drawer, SprayZone and ProClean™ satellite spray arm to deliver a perfect wash result, regardless of your load.

RRP AUS \$1,999.00



Product Details

FEATURES

| | | | |
|--|---|---|--|
| <p>MaxiFlex Accommodate every kitchen tool with MaxiFlex.</p> | <p>SprayZone SprayZone uses high pressure water for excellent results.</p> | <p>SatelliteClean ProClean Satellite Spray reaches every corner.</p> | <p>AirDry AirDry uses natural airflow for better drying.</p> |
| <p>ExtraPower ExtraPower option cleans with immaculate results.</p> | <p>GlassCare GlassCare protects and gently cleans glassware.</p> | <p>Eco Program Eco program reduces energy and water consumption.</p> | <p>AutoSense AutoSense optimises the wash cycle for any load.</p> |
| <p>Silent program You will barely know its there.</p> | <p>Delay Start 24H Delay start of the program to suit your schedule.</p> | | |

BENEFITS

DARE TO USE EVERY KITCHEN TOOL

The MaxiFlex drawer is designed to fit cutlery and utensils of all shapes and sizes. Its increased depth offers greater capacity in each load. Whether large or awkwardly-shaped, the customisable dividers and deep drawer mean everything can be loaded with ease

ULTIMATE TOUGH CLEANING

Get exceptional results with SprayZone function that activates a dedicated area specially designed for dishes with tough stains and food residue. The intensive cleaning treatment with high water pressure in the dedicated area ensures removal of even the most stubborn stains and residues without pre-rinsing or soaking.

REACH EVERY CORNER

The ProClean powerful, double rotating satellite spray arm, with 5 spray levels, sprays from continuously varying angles ensuring maximum water coverage over your entire load for an immaculate wash result.

THE DOOR TO AUTOMATIC DRYING

Our AirDry technology lets you maximise your drying performance with natural airflow. The door automatically opens up to 10cm when the cycle is complete. It dries your dishes naturally meaning spotless, cared for glasses every time.

IMPROVE WASHING RESULTS

ExtraPower function improves the washing results of the selected program. The extra boost in wash temperature and duration rids stubborn stains from your kitchenware with immaculate results.

GENTLE CARE FOR YOUR GLASSWARE

The unique SoftGrip feature ensures that the stem and foot of every glass are held gently but firmly in exactly the right position throughout the duration of the program. Protected from vibration. Removing the risk of breakages. And with SoftSpikes you no longer need to spend time handwashing delicate glasses. The soft material gently holds glasses securely in place and protects them from cracks and breakage.

HIGH PERFORMANCE. LOW ENERGY.

By selecting the EcoProgram you can rest assured that your dishes will be cleaned using the lowest possible amount of energy and water for the load, without compromising on wash performance.

OPTIMISE TIME, ENERGY & WATER.

AutoSense detects the soil level and load size and adjusts settings accordingly to deliver an optimised wash program for the load. This delivers incredible cleaning performance, whilst in turn, its more efficient on energy, water, and time.

CLEAN DISHES ON YOUR SCHEDULE

The 24-hour delay start function lets you load your dishwasher and program it to start at the time that suits your schedule.

Specifications

PRODUCT PROFILE

| | |
|---------------------------------|-------------|
| Domestic warranty details (yrs) | 5 |
| Type of Dishwashers | built under |
| Place settings | 15 |
| Drying system | AirDry |
| Number of spray arms | 3 |
| Top shower | Yes |

DIMENSIONS

| | |
|-------------------|-----|
| Total height (mm) | 818 |
| Total width (mm) | 597 |

SPECIFICATION

| | |
|---|----------------------------|
| Water efficiency star rating WELS | 5 |
| Water consumption (litres) | 12.2 |
| Energy Star Rating | 4 |
| Energy consumption cold water (kWhr/yr) | 246 |
| Noise level dBA | 44 |
| Water supply | cold or hot (maximum 60°C) |
| Basket colour | grey |
| Service cord length | 1600 |
| Inverter system | Yes |

BUILT-IN DIMENSIONS

| | |
|--------------------------------|-----|
| Door panel minimum weight (kg) | 1.5 |
| Door panel maximum weight (kg) | 8 |

DIMENSIONS

| | |
|------------------|-----|
| Total depth (mm) | 570 |
|------------------|-----|

BUILT-IN DIMENSIONS

| | |
|--------------------------------|-----|
| Door panel minimum height (mm) | 570 |
|--------------------------------|-----|

| | |
|--------------------------------|-----|
| Door panel maximum height (mm) | 655 |
|--------------------------------|-----|

| | |
|----------------------------|----|
| Plinth height minimum (mm) | 40 |
|----------------------------|----|

| | |
|----------------------------|-----|
| Plinth height maximum (mm) | 220 |
|----------------------------|-----|

WASH PROGRAMS

| | |
|--------------------|---|
| Number of Programs | 9 |
|--------------------|---|

| | |
|----------|--|
| Programs | Quick 30 min, Extra Silent, Regular 90 min, AUTO Sense, Machine Care, Light 60 min, Heavy 160 min, ECO 180 min, rinse and hold |
|----------|--|

| | |
|-------------|--|
| Wash option | Delay start (1-24 hours), SprayZone, GlassCare, ExtraPower |
|-------------|--|

| | |
|-----------------------|---|
| Range of temperatures | 4 |
|-----------------------|---|

CONTROL PANEL

| | |
|--------------------|-------------|
| Control panel type | LCD display |
|--------------------|-------------|

| | |
|----------------------|-----------------|
| Control panel finish | stainless steel |
|----------------------|-----------------|

| | |
|--------------------|---|
| Display indicators | delay start, time remaining, rinse aid, service code, program selected, GlassCare, ExtraPower |
|--------------------|---|

FEATURES

| | |
|----------------|-----------------------------------|
| Other Features | Auto Off, MaxiFlex cutlery drawer |
|----------------|-----------------------------------|

EXTERIOR

| | |
|-------------|----------------|
| Door finish | your cabinetry |
|-------------|----------------|

FEATURES

| | |
|---------------------|---------------------|
| Water safety system | aqua control |
| Dispenser | detergent,rinse aid |

UPPER BASKET

| | |
|-----------------------|---|
| Upper basket features | soft spikes for tall glass,SoftGrip,Foldable glass rack,easy lift adjustable upper basket |
| Foldable cup shelves | 4 |
| Foldable Racks | 2 |

HOSES

| | |
|-------------------|------------|
| Inlet hose length | 1800 |
| Drain hose length | 1800 |
| extension hose | spare part |

EXTERIOR

| | |
|---------------------------|--------------------|
| Counter-balance door | Yes |
| Side colour | grey |
| Plinth colour (kickboard) | no plinth supplied |
| Removable worktop | No |

LOWER BASKET

| | |
|-----------------------|-----------|
| Lower Basket Features | SprayZone |
| Foldable Racks | 4 |
| Foldable cup shelves | 0 |

SHIPPING

| | |
|-----------------------------|-------|
| Shipping Volume (m3) | 0.376 |
| Shipping Weight (Kg) | 45 |
| Pack Dimensions Height (mm) | 870 |
| Pack Dimension Width (mm) | 635 |

SHIPPING

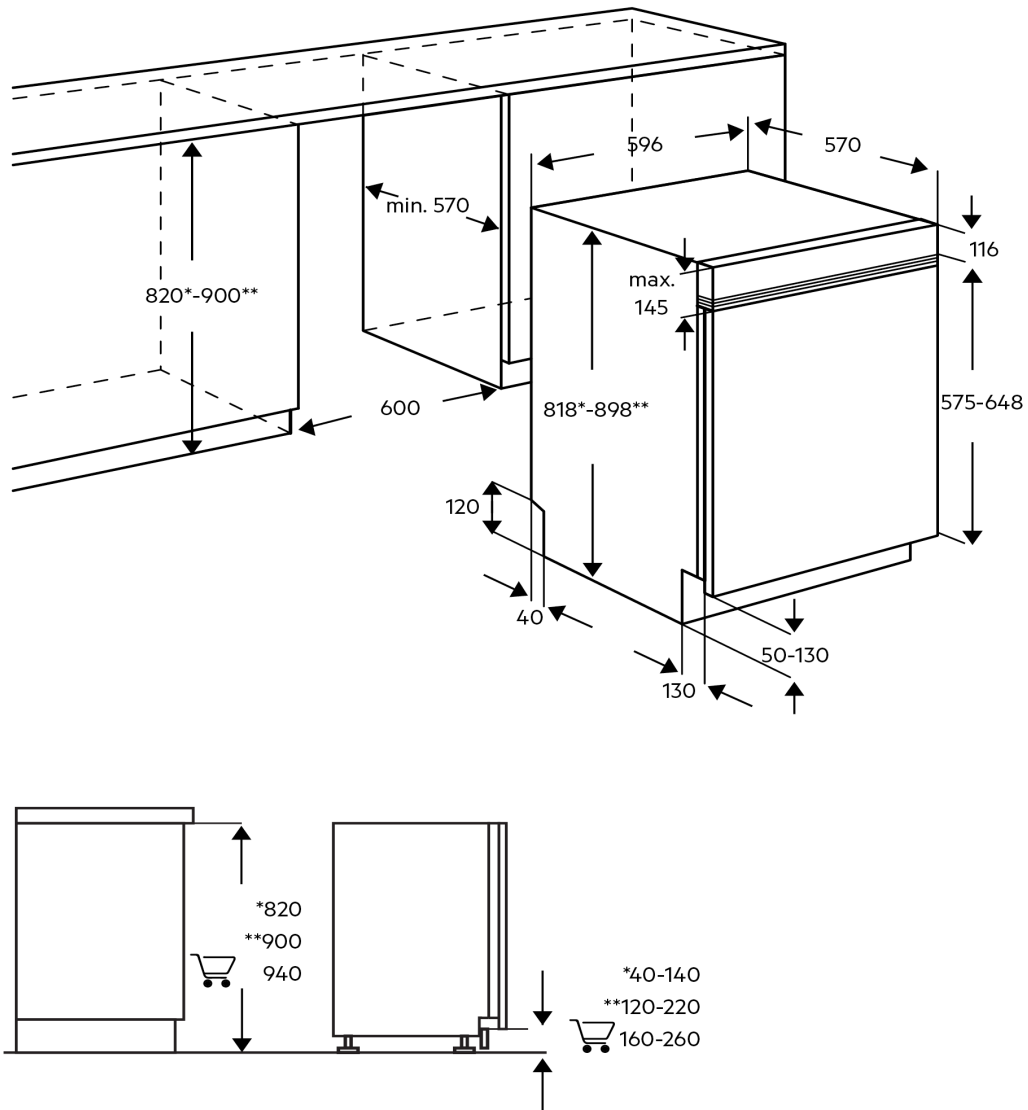
| | |
|------------------------------|-----|
| Pack Dimension Depth (mm) | 680 |
|------------------------------|-----|

STUFFING QUANTITIES

| | |
|---------|-----|
| 40ft HC | 150 |
|---------|-----|

Dimensions

Model:
FEE74600PM



© 2022 Electrolux S.E.A PTE. LTD. A_Dim_FEE74600PM_Apr22

Terms and Conditions

IMPORTANT

This is a guide of product dimensions only. For complete installation instructions, refer to the manual provided with product.

PRODUCT INFORMATION

The descriptors and illustrations in this publication apply to the specific products and models described as at the date of issue. Under our policy of continuous product development, product specifications may change without notice. Prospective purchasers should therefore check with their retailer to ensure this publication correctly describes the products that are being offered for sale. All information supplied is to be used for general reference purposes only and is on the understanding that Electrolux Home Products Pty Ltd (Australia) and Electrolux (NZ) Ltd (New Zealand) will not be liable for any loss, liability or damage of whatever kind arising as a result of reliance on such information. Colours of products illustrated are as close as printing limitations allow. Electrolux will at all times comply with its obligations pursuant to law including Trade Practices (Australian Consumer Law) Act and Regulations.

WARRANTY

Electrolux Home Products warrants that for domestic applications the AEG appliances featured are free from defects in materials and workmanship for 5 years (3 months warranty for commercial applications). All warranties are subject to the conditions set out in the warranty card accompanying the product when purchased.

ELECTROLUX HOME PRODUCTS AUSTRALIA

telephone: 1300 363 664

fax: 1800 350 067

email: customercare@aegaustralia.com.au

web: www.aeg.com/au

ELECTROLUX HOME PRODUCTS NEW ZEALAND

telephone: 0800 10 66 10

fax: 09 573 2221

email: customercare@electrolux.co.nz

web: www.aeg.com/au