

60cm multifunction 24 matte black SteamPro full steam oven with automatic Steamify® function, 4.3" CookSmart Touch, AI TasteAssist and food probe.

RRP AUS \$5,299.00



Product Details

FEATURES

SteamPro

Take home cooking to the next level with SteamPro.

CookSmart Touch

CookSmart Touch guides you to cook perfect meals.

AI TasteAssist

AI Taste Assist for connected, customised cooking.

Assisted Cooking

Assisted cooking with a variety of auto settings.

AirFry

AirFry your food for a fried taste with less oil.

Food Sensor

Food Sensor to achieve perfect results with ease.

Steam Cleaning

Steam Cleaning program cleans your oven with ease.

Telescopic runners

Telescopic runners provide better access to make it easier and safer to remove hot and heavy dishes.

BENEFITS

PROFESSIONAL RESULTS AT HOME

The SteamPro oven provides you with Bake, Roast & Steam, a tool used by professional chefs for many years enabling you to reach new culinary heights with a home oven. Its time to transform the way you cook and enjoy professional-level results at home.

FLAWLESS RESULTS AT A TOUCH

CookSmart Touch display effortlessly guides you to achieve perfect results, from cooking everyday dishes to the most ambitious meals. Recently used and Favourites are available with just a swipe.

DISCOVER AI ASSISTED COOKING

Optimise your cooking settings by sending a web recipe or copying the link into the app. The app leverages AI to customise the settings for your specific oven, such as temperature, time, function and pre-heating, to deliver the best possible result.

MEET YOUR PERSONAL CHEF

Assisted Cooking is your at-home sous chef. Scroll through menus to select a food category and the oven will generate the correct settings for the dish. You can even choose how you would like meats sealed and for added safety the oven will automatically power down after cooking.

WHY NOT FRY WITH LESS OIL

The mesh construction of the AirFry tray allows super-heated air to crisp the surface of ingredients to deliver a delicious fried taste and texture, with less oil.

PRECISION MEETS PERFECTION

The Food Sensor allows you to precisely monitor the cooking process and achieve perfect results according to your personal taste. The oven will let you know when your food has reached the right temperature.

CLEAN WITH THE POWER OF STEAM

A clean oven ensures delicious flavours, prevents cooking odours, and helps maintain optimal performance. Clean your oven effortlessly with the Steam Cleaning program. Let the natural power of steam lift grease and grime with ease simply wipe it away. The oven display will inform you when cleaning is required.

ACCESS ALL AREAS

Telescopic runners provide better access to dishes, making it easier to baste during cooking or check on progress. The runners also make it easier and safer when removing hot trays or heavy dishes.

Specifications

PRODUCT PROFILE

Domestic warranty details (yrs)	5
Type of Oven	single steam oven
Oven fuel	electric
Materials/Colour	matte black
Controls of Oven	TFT touchscreen
Cooling fan	Yes

FLUSH FIT CUT OUT

Flush fit cut out height (mm)	590
Flush fit cut out width (mm)	560
Flush fit cut out depth (mm)	550

DIMENSIONS

PRODUCT DIMENSION

Total height (mm)	594
Total width (mm)	595
Total depth (mm)	567

MAIN OVEN

Useable capacity litres	70
Oven function	multifunction
Number of functions	24

MAIN OVEN

Oven Functions	keep warm,defrost,bottom heat,bread baking,plate warming,preserving,roast,top heat,top+bottom,Dehydrating,grill,slow cook,dough proving,steam,STEAMIFY®,Connectivity
----------------	----------------------------------------------------------------------------------------------------------------------------------------------------------------------

Oven liner	enamel
------------	--------

Timer functions	Time of day,end,Delayed start,fast heat up
-----------------	--------------------------------------------

ELECTRICAL CONNECTION

Connected load KW	3.25
-------------------	------

Maximum current rating (amps)	14.77
-------------------------------	-------

Type of connection	hardwired
--------------------	-----------

OTHER FEATURES

Number of Programmed functions	139
--------------------------------	-----

Auto cook programs	Yes
--------------------	-----

Cleaning	steam
----------	-------

Door	removable door,Soft close
------	---------------------------

Timer	Programmable timer
-------	--------------------

Telescopic runners	three
--------------------	-------

Shelf support	multi position side racks
---------------	---------------------------

Number of shelves	2
-------------------	---

Safety features	isofront plus triple glazed door
-----------------	----------------------------------

OTHER FEATURES

Closed door grilling	Yes
Included accessories	wire shelves stainless steel x 2, dripping pan, cake tray, trivet, AirFry tray, 3 x telescopic runners
Layers of glass in door	3
Number of shelf positions	5
Food probe	Yes

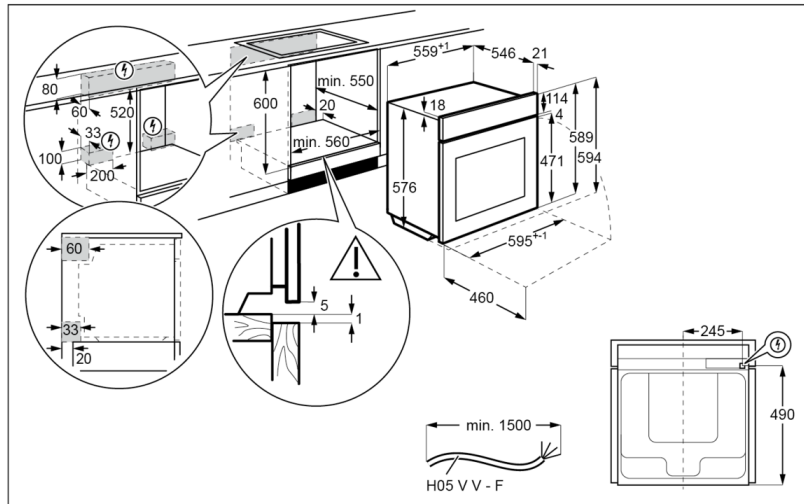
SHIPPING

Shipping Volume (m3)	0.285
Shipping Weight (Kg)	41
Pack Dimensions Height (mm)	670
Pack Dimension Width (mm)	635
Pack Dimension Depth (mm)	670

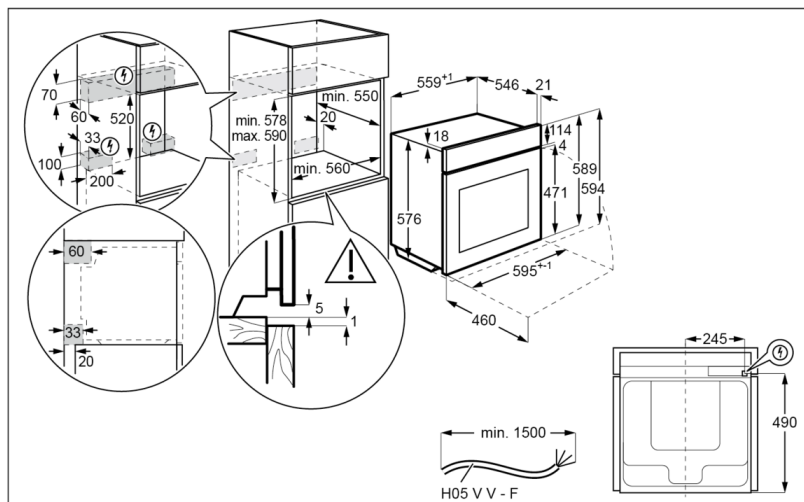
Dimensions

Model:
NBB8S731AT

UNDERBENCH



CABINET



Terms and Conditions

IMPORTANT

This is a guide of product dimensions only. For complete installation instructions, refer to the manual provided with product.

PRODUCT INFORMATION

The descriptors and illustrations in this publication apply to the specific products and models described as at the date of issue. Under our policy of continuous product development, product specifications may change without notice. Prospective purchasers should therefore check with their retailer to ensure this publication correctly describes the products that are being offered for sale. All information supplied is to be used for general reference purposes only and is on the understanding that Electrolux Home Products Pty Ltd (Australia) and Electrolux (NZ) Ltd (New Zealand) will not be liable for any loss, liability or damage of whatever kind arising as a result of reliance on such information. Colours of products illustrated are as close as printing limitations allow. Electrolux will at all times comply with its obligations pursuant to law including Trade Practices (Australian Consumer Law) Act and Regulations.

WARRANTY

Electrolux Home Products warrants that for domestic applications the AEG appliances featured are free from defects in materials and workmanship for 5 years (3 months warranty for commercial applications). All warranties are subject to the conditions set out in the warranty card accompanying the product when purchased.

ELECTROLUX HOME PRODUCTS AUSTRALIA

telephone: 1300 363 664

fax: 1800 350 067

email: customercare@aegaustralia.com.au

web: www.aeg.com/au

ELECTROLUX HOME PRODUCTS NEW ZEALAND

telephone: 0800 10 66 10

fax: 09 573 2221

email: customercare@electrolux.co.nz

web: www.aeg.com/au