



FISHER & PAYKEL

CONVECTION SPEED OVEN

OM60NDTX1 & OM60NDLX1
models

INSTALLATION GUIDE
NZ AU UK IE

⚠ WARNING!	
	<p>Electric Shock Hazard Failure to follow this advice may result in electric shock or death.</p> <ul style="list-style-type: none"> • Before carrying out any work on the electrical section of the appliance, it must be disconnected from the mains electricity supply. • Connection to a good earth wiring system is absolutely essential and mandatory. • Alterations to the domestic wiring system must only be made by a qualified electrician. • Failure to follow this advice may result in electrical shock or death.

WARNING!	
	<p>Fire Hazard Failure to follow this advice may result in overheating, burning, and injury.</p> <ul style="list-style-type: none"> • Do not use adapters, reducers, or branching devices to connect this appliance to the mains power supply. • Failure to follow this advice may result in overheating, burning or fire.

⚠ WARNING!	
	<p>Cut Hazard Failure to use caution could result in injury.</p> <ul style="list-style-type: none"> • Take care: some edges are sharp. • Failure to use caution could result in injury or cuts.

IMPORTANT SAFETY INSTRUCTIONS!

To avoid hazard, follow these instructions carefully before installing or using this appliance.

- Save these instructions for the local inspectors use.
- Please make this information available to the person installing the appliance - doing so could reduce your installation costs.
- This oven is to be installed and connected to the electricity supply only by an authorised person.
- If the installation requires alterations to the domestic electrical system, call a qualified electrician. The electrician should also check that the socket cable section is suitable for the electricity drawn by the oven.
- The oven must be earthed.
- Installation must comply with your local building and electricity regulations.
- This appliance must be installed and connected to the mains power supply only by a suitably qualified person according to these installation instructions and in compliance with any applicable local building and electricity regulations. Failure to install the appliance correctly could invalidate any warranty or liability claims.
- If the power supply cable is damaged, it must be replaced by the manufacturer, its service agent or similarly qualified person in order to avoid a hazard.
- A circuit breaker is recommended.
- Do not use adaptors, reducers or branching devices to connect the oven to the mains electricity supply, as they can cause overheating and burning.
- Do not allow children and animals to stop or linger near the appliance when it is pulled out of the cabinet.

Electrical requirements

- Connect oven with copper wire only.
- Do not cut the conduit.
- A U.L. listed conduit connector must be provided at the junction box.
- Do not earth to a gas pipe.
- Do not have a fuse in the earthed or neutral circuit.
- Fuse both sides of the line.
- A time delay fuse or circuit breaker is recommended. If using a time delay fuse, then fuse both sides of the line.
- Flexible armored cable from the appliance should be connected directly to the junction box.
- Connect directly to the fused disconnect (or circuit breaker box) through flexible, armored or non-metallic sheathed, copper cable (with earthed wire).
- If codes permit and a separate earthed wire is used, it is recommended that a qualified electrician determine that the earthed path and wire gauge are in accordance with local codes.

The oven's identification plate is accessible when the appliance is installed. This identification plate, which is visible when you open the door, shows all the information you will need when requesting replacement parts for the appliance.

SAVE THESE INSTRUCTIONS

The models shown in this installation guide may not be available in all markets and are subject to change at any time. For current details about model and specification availability in your country, please go to our website www.fisherpaykel.com or contact your local Fisher & Paykel dealer.

Grounding Instructions

For all cord-connected appliances:

This appliance must be grounded. In the event of an electrical short circuit, grounding reduces the risk of electric shock by providing an escape wire for the electric current. This appliance is equipped with a cord having a grounding wire with a grounding plug. The plug must be plugged into an outlet that is properly installed and grounded.

WARNING: Improper use of the grounding can result in a risk of electric shock. Consult a qualified electrician or serviceman if the grounding instructions are not completely understood, or if doubt exists as to whether the appliance is properly grounded, and either:

- **If it is necessary to use an extension cord, use only a 3-wire extension cord, use only a 3-wire extension cord that has a 3-blade grounding plug, and a 3-slot receptacle that will accept the plug on the appliance. The marked rating of the extension cord shall be equal to or greater than the electrical rating of the appliance, or**
- **Do not use an extension cord. If the power supply cord is too short, have a qualified electrician or serviceman install an outlet near the appliance.**

For a permanently connected appliance:

This appliance must be connected to a grounded, metallic, permanent wiring system, or an equipment grounding conductor should be run with the circuit conductors and connected to the equipment terminal or lead on the appliance.

PRIOR TO INSTALLATION

Ensure that:

- The cavity ventilation has been set up correctly. Refer to page 7 for details.
- The countertop and oven cavity are square and level, and are the required dimensions.
- The installation will comply with all clearance requirements and applicable standards and regulations.
- The isolating switch will be easily accessible to the customer with the oven installed.
- The electrician provides sufficient free length of power supply cable to reach from the bottom rear of the cavity to at least 1.5m in front of the bottom edge of the opening.
- The cable may enter the cavity from the side, top or bottom, but top entry must be at the rear of the cavity.
- The oven connection socket (if fitted) is outside the cavity if the oven is flush to the rear wall.
- The oven will rest on a surface that can support its weight.
- The height from the floor suits the customer.
- You consult local building authorities and by-laws if in doubt regarding installation.

Some environmental factors and cooking habits can cause condensation in and around the oven during use. To protect surrounding cabinetry from possible damage caused by frequent or excessive condensation, we recommend moisture-proofing the oven cabinetry.

AFTER INSTALLATION

The manufacturer does not accept any responsibility for damage resulting from incorrect installation.

- The oven door(s) can open fully without obstruction.
- The power supply cable does not touch any hot metal parts.
- The isolating switch is easily accessible to the customer with the oven installed.
- You complete the 'Final checklist' at the end of the installation.
- If, after following the instructions given, correct performance cannot be achieved, please contact your nearest Fisher & Paykel Authorised Service Center, Customer Care, or contact us through our local website listed at the end of this document.

INSTALLATION MILESTONES



Milestone indicator

These milestones represent areas throughout that are pivotal to an optimal installation outcome. These steps require additional installer attention and should be quality checked once completed.

MILESTONE LINKS



Align oven with surrounding cabinetry and appliances.

COMPONENTS REQUIRED

PARTS

- Keep all packaging materials until the unit has been inspected.
- Inspect the product to ensure there is no shipping damage. If any damage is detected contact the dealer or retailer you bought the product from to report the damage.
- Fisher & Paykel is not responsible for shipping damage.

Supplied



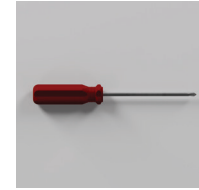
Screw SD #7X13 PAN
PH ZP

TOOLS

Not supplied

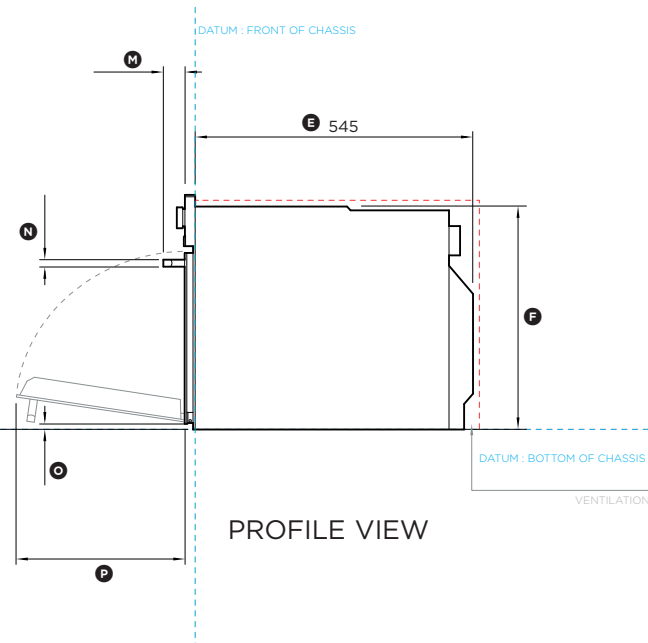
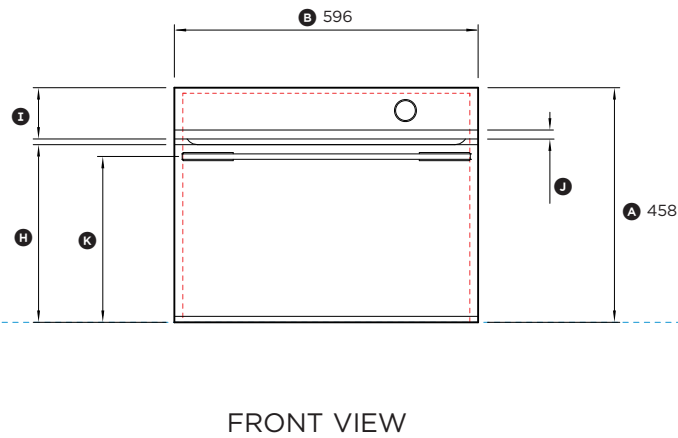
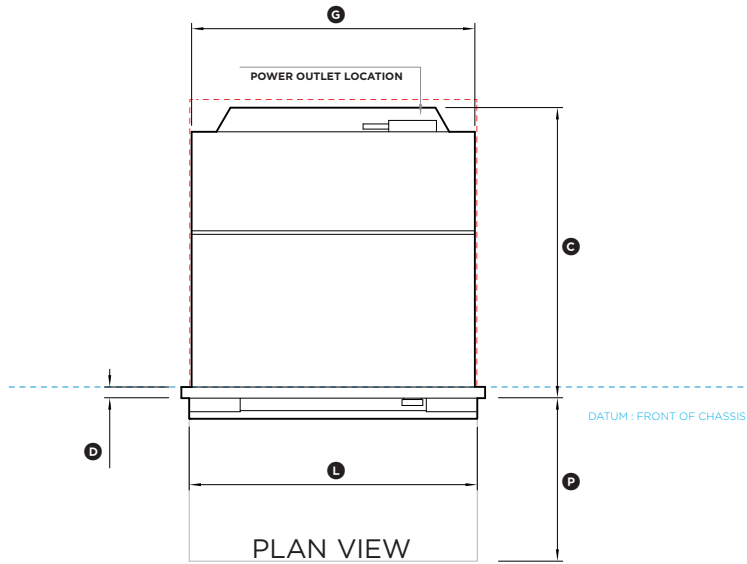


Powered driver



Cross-head
screwdriver

PRODUCT DIMENSIONS



OM60NDTX1, OM60NDLX1

Product Dimensions	mm
Ⓐ Overall height of oven	458
Ⓑ Overall width of oven	596
Ⓒ Overall depth of oven (excludes handle and front metal trim)	565
Ⓓ Depth of oven frame, control panel and door (excludes handle and front trim)	20
Ⓔ Depth of chassis (includes terminal block)	545
Ⓕ Height of chassis	435
Ⓖ Width of chassis	556
Ⓜ Height from bottom datum to top of oven door	347
Ⓨ Height of control panel	100
Ⓩ Height of metal cap on control panel	20
Ⓧ Height from bottom datum to centerline of handle	324
Ⓛ Width of handle	565
Ⓜ Depth of handle (measured from front of door)	42
Ⓨ Thickness of handle	16
Ⓩ Distance from bottom datum to bottom of door glass	12
Ⓔ Depth of door (open) (measured from front of door)	320

Minimum Clearances	mm
Minimum inside height of cavity	440
Minimum inside width of cavity	560
Minimum inside depth of cavity	550
Overall height of cabinetry (cavity around front frame)	460
Overall width of cabinetry (cavity around front frame)	600
Rear ventilation air vent depth*	50
Rear ventilation air vent width*	560

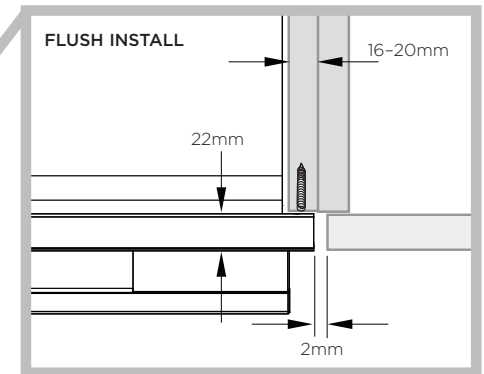
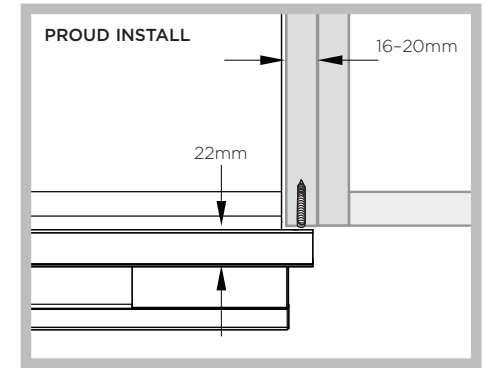
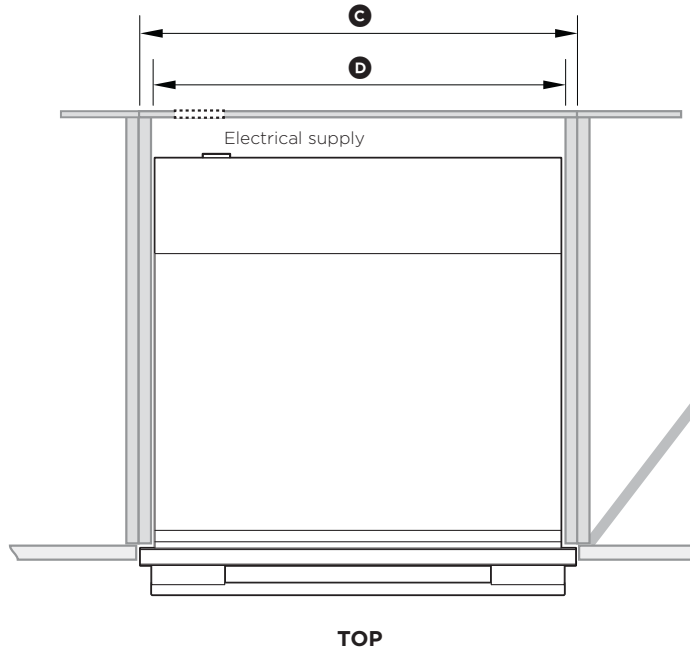
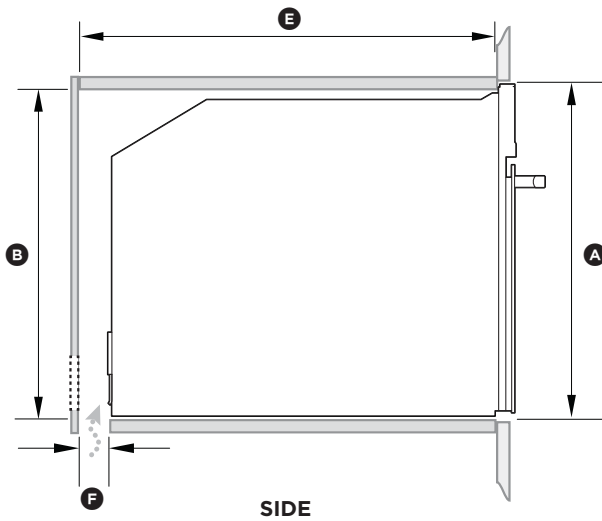
*A rear ventilation air vent totalling 44in² (280cm²) is required. The air vent must be located at the rear of the cabinet, it can be positioned at the base, sides, back or top of the cavity.

IMPORTANT NOTE: Throughout this guide, dimensions may vary by ±2mm (1/16")

INDICATES PRODUCT DATUM -----
INDICATES CABINETRY CLEARANCES - - - - -

CABINETY DIMENSIONS

- The oven can be installed under a cooktop, in a column, or combined with the companion warmer drawer.
- The cabinet material must be able to withstand heat.
- The oven must be centered within the walls of the cabinet and fixed with the screws and bushings that are provided.



CABINETY DIMENSIONS		MM
Ⓐ	Overall height of cabinetry	460
Ⓑ	Minimum inside height of cavity	440
Ⓒ	Overall width of cabinetry	600
Ⓓ	Minimum inside width of cavity	560
Ⓔ	Minimum inside depth of cavity	550
Ⓕ	Ventilation air vent	50

Note: If installing a cooktop above the oven, ensure adequate clearance is provided for the cooktop as per the cooktop manufacturer's instructions.

SERVICES

- This oven is not shipped with a power cable.
- This oven must be connected to the mains power supply only by a suitably qualified person.
- This oven must be earthed.

Before connecting the oven to the mains power supply, check that:

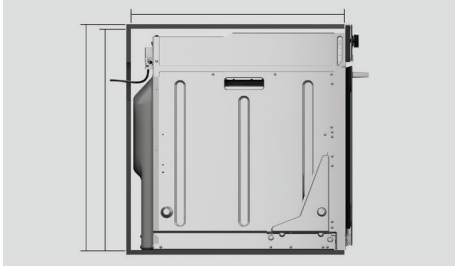
the domestic wiring system is suitable for the power drawn by the oven (as specified on the rating plate)

the voltage corresponds to the value given on the rating plate.

HZ	VOLTAGE (V)	AMPS (A)
50	220 - 240	16

CHECK CAVITY

①



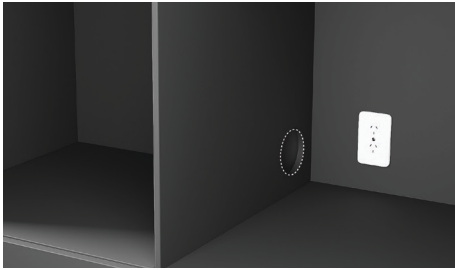
Measure cavity dimensions. Ensure all minimum specifications have been met. Refer to page 6.

②



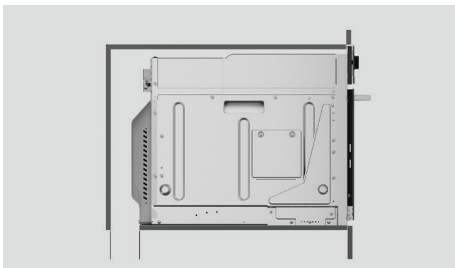
For dark cabinetry, ensure clashing has been considered and installed.

③



Ensure service access complies with local requirements. Refer to page 8 for details.

④



Ensure cavity ventilation has been set up correctly. Refer to page 7 for details.

UNPACK PRODUCT

- Do not lift or move the product using the door handle.
- Keep all packing materials until the unit has been inspected.
- Inspect the product to ensure there is no shipping damage. If any damage is detected contact the dealer or retailer you brought the product from to report the damage.
- Fisher & Paykel is not responsible for shipping damage.

①



Remove the carton sleeve.

②



Remove the top cap, corner posts and any transit packaging.

③



Set aside any accessories.

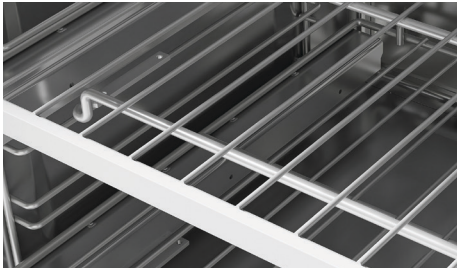
④



Dispose responsibly.

REMOVE SHELVES

①



Open the door and remove all packaging holding the oven shelves in place.

②



Grip the shelves at the front. Lift upwards and pull out from the microwave.

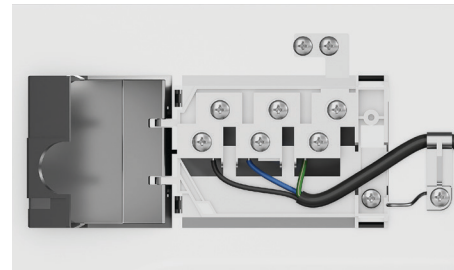
CONNECT POWER

①



Unclip and lift cover to access terminal block.

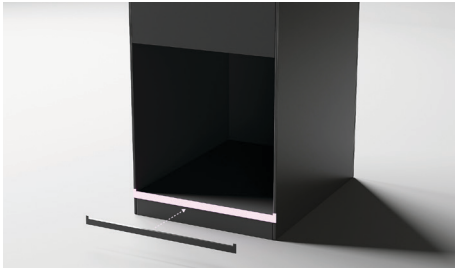
②



Connect to terminal block as shown. Ensure oven is correctly Earthed and cable clamp is tightened before closing the cover.

POSITION OVEN INTO CAVITY

1



Some models only*:

For dark cabinetry, the supplied trim can be used to enhance clashing finish.

To install, remove the trim adhesive and press to secure to cavity.

2



Lift product into cavity.

ALIGN AND SECURE

1



Align oven with surrounding cabinetry and appliances.

2



Using the product as a guide, pre-drill 2 x 3mm pilot holes.

3



Secure oven to cavity using the 2 x #7x13 pan head screws provided.

*To purchase cabinetry trim as an optional accessory, visit fisherpaykel.com

REFIT SHELVES

1



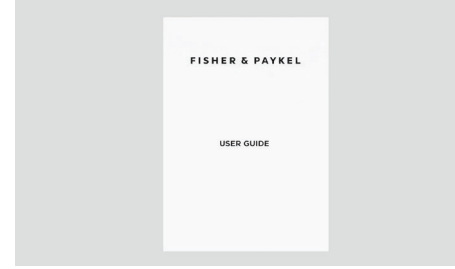
Reposition shelves in the oven at the desired level.

2



Ensure shelves are level and correctly positioned with the guard rail at the back.

TEST OVEN



Follow the guidance on screen to ensure oven turns on and heats correctly.

Refer to your User Guide for more information.

FINAL CHECKLIST

TO BE COMPLETED BY THE INSTALLER

- Make sure the oven is level and securely fitted to the cabinetry.
- Open the oven door (lower) slowly until it is fully open and check there is adequate clearance between the bottom of the door and the lower trim.
This is to ensure correct air circulation. Should the lower trim become damaged, straighten the trim and ensure the oven door opens fully without obstruction.
- Make sure any cable ties and internal packaging has been removed from the oven cavity.
- Make sure all oven vents and openings are clear and free of any obstruction or damage.
- Ensure cavity ventilation has been set up correctly.
Failure to make sure all oven vents are clear may result in poor product performance.
- Make sure the isolating switch is accessible by the customer.

Complete and keep for safe reference:

Model _____

Serial No. _____

Purchase Date _____

Purchaser _____

Dealer Address _____

Installer's Name _____

Installer's Signature _____

Installation Company _____

Installation Date _____

FISHERPAYKEL.COM

© Fisher & Paykel Appliances 2023. All rights reserved.

The models shown in this guide may not be available in all markets
and are subject to change at any time.

The product specifications in this guide apply to the specific products and
models described at the date of issue. Under our policy of continuous product
improvement, these specifications may change at any time.

For current details about model and specification availability in your country,
please go to our website or contact your local Fisher & Paykel dealer.

90002694B 11.23