












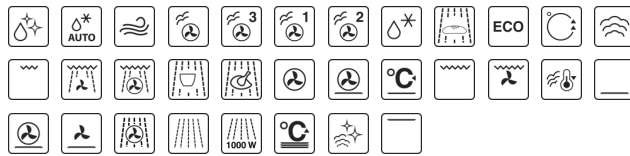
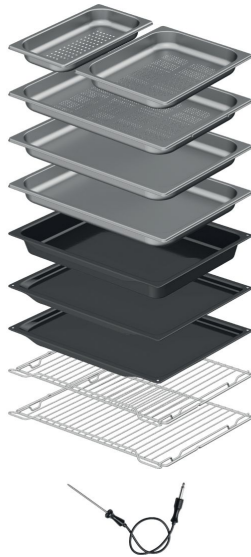
OCS8678G

Built-in combined steam oven

Installation type: Built-in
 Range: Elements
 Available colour: Black
 Product dimensions (HxWxD): 59,5 × 59,5 × 54,6 cm
 5 Air Flow System, Pure steam system, Oven volume 73l, Aqua Clean (ASKO) BW, Steam clean, 3 telescopic fully extendable, SousVide, Auto Roast, Full steam function, Eco

 5 Air Flow System	 Pure steam system	 73 Litre Oven volume 73l	 Steam clean
 3 telescopic fully extendable	 SousVide	 Auto Roast	 Full steam function
 Eco			

Standard accessories



Aqua clean, Auto defrost, Clean air, Combi steam, Combi steam high, Combi steam low, Combi steam middle, Defrosting, Defrosting bread, Eco, Fast preheat, Full steam function, Grill, Grill fan microwave, Grill with fan and microwaves, Heating beverage, Heating meal, Hot air, Hot air bottom heat, Keep warm, Large grill, Large grill fan, Low temperature steam, Lower heater, Lower heater with circular and fan, Lower heater with fan, Micro hot air, Microwave, Microwave 1000w, Plate warming, Pro Roast (ASKO), Pyrolytic Clean (ASKO), Regenerate (ASKO), Sous vide program (ASKO), Steam clean, Upper and lower heater (ASKO), Upper heater

Construction & Performance

- Hot air convection
- Maximum oven temperature: 230 °C
- Meat probe
- Multi Steam 360

Use & Flexibility

- Oven lighting: Both sides
- Water container: 1,3 l
- Oven useful volume (old energy label): 73 l
- OpenView
- Fully extendable guides
- Three levels of fully extendable telescopic guides
- Number of trays and grids: 9
- Grid
- 1 full width perforated steam tray
- 1 deep tray
- 1 Shallow tray
- 1/2 width perforated steam tray
- 1/3 width perforated steam tray

Interaction & Control

- Digital display
- Full colour display
- Touch screen
- TFT display

Programs, options and modes

- Number of oven functions: 19
- Number of cooking programs: 160
- Lower heater BIO
- Upper Heater
- Lower and upper heater
- Small infra heater
- Large Infra Heater
- Large infra heater with ventilation
- Circular heater

- Eco-function
- Lower heater and fan
- Lower heater with fan BIO
- Strong steam
- Medium steam
- Low steam
- Steam baking
- SousVide
- Defrost cooker
- WarmPlate
- StayWarm function
- Fast Preheat
- STEPBake
- Auto roast function

Design & Integration

- Door material: Glass
- Available colour: Black
- Tinted door glass
- Integration side trims
- Adjustable feet: 4
- Niche dimensions (HxWxD): 59 × 56 × 55 cm

Safety & Maintenance

- Dynamic oven cooling plus - DC+
- Soft open and gentle close door hinge
- Removable flat oven inner door glass surface
- AquaClean function
- Steam cleaning
- SousVide
- Descaling

Technical data

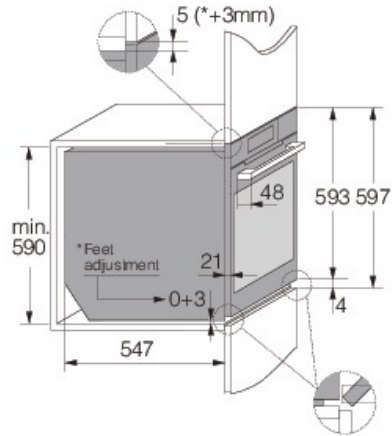
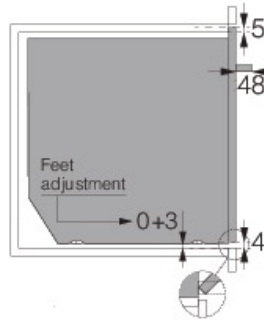
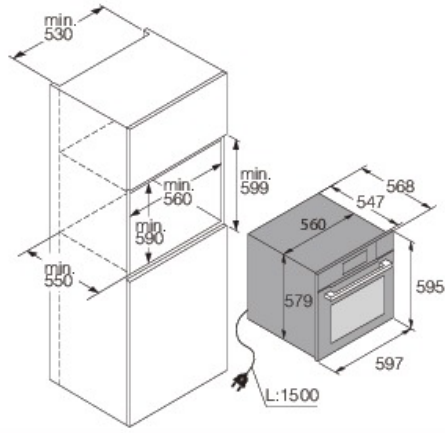
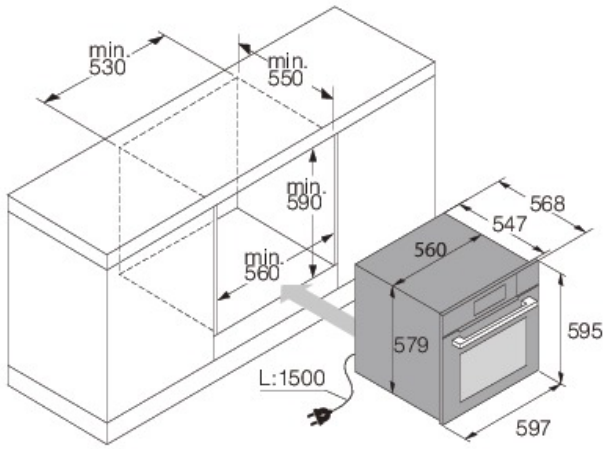
- Consumption in standby mode: 1 W
- Energy class: A+
- Oven consumption (conventional operation): 0,96 kWh
- Oven consumption (venting operation): 0,7 kWh
- Energy consumption conventional oven (old energy label): 0,94 kWh
- Energy consumption forced air assisted oven (old energy label): 0,7 kWh
- Connection rating: 3400 W
- Voltage: 220-240 V
- Nominal current: 16 amp
- Frequency: 50 Hz

Dimensions

- Product dimensions (HxWxD): 59,5 × 59,5 × 54,6 cm
- Length electrical cord: 1,5 m
- Net weight: 49,3 kg

Logistic information

- Dimensions of packed product (HxWxD): 70 × 66 × 70 cm
- Gross weight: 54,5 kg
- Product code: 507866
- EAN code: 3838942072932
- Product area: Kitchen
- Market: Domestic
- Range: Elements



Elements Combi Steam 60cm