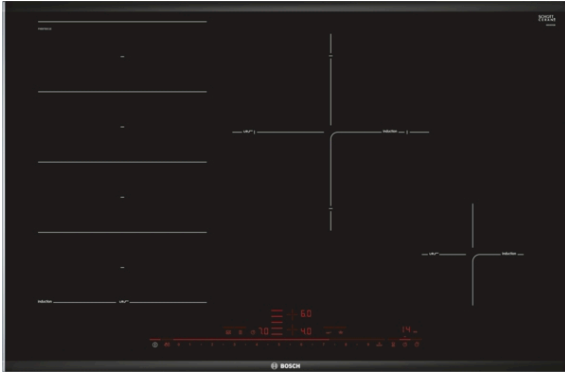


Series 8, Flex induction cooktop, 80 cm, Black, PXE875DC1E



Optional accessories

HEZ390512 : Teppan Yaki (large)
HEZ390522 : Griddle Plate

The FlexInduction cooktop: you can place multiple pots and pans or large cookware anywhere on the flexible cooking zone.

- **DirectSelect Premium:** spacious and intuitive touch interface.
- **FlexInduction:** more flexibility on your cooktop for large pots and pans.
- **PerfectFry:** no more worries about scorching.
- **MoveMode:** the automatic setting of cooking levels allows fast boiling on the front, cooking on the middle and simmering on the rear cooking zone.
- **PowerBoost:** up to 50% more power for faster heating on your induction cooktop.

Technical Data

Product name/family : Cooking zone ceramic

Construction type : Built-in

Energy input : Electric

Total number of positions that can be used at the same time : 4

Min. required niche size for installation (HxWxD) : 51 x 750-780 x 490-500 mm

Width of the appliance : 816 mm

Dimensions (HxWxD) : 51 x 816 x 527 mm

Dimensions of the packed product (HxWxD) : 126 x 953 x 603 mm

Net weight : 13.6 kg

Gross weight : 17.3 kg

Residual heat indicator : separate

Location of control panel : Hob front

Basic surface material : Ceramic

Color of surface : Black

Length electrical supply cord : 110 cm

EAN code : 4242002861746

Electrical connection rating : 7400 W

Voltage : 220-240 V

Frequency : 50; 60 Hz



Series 8, Flex induction cooktop, 80 cm, Black, PXE875DC1E

The FlexInduction cooktop: you can place multiple pots and pans or large cookware anywhere on the flexible cooking zone.

- 80 cm: space for 4 pots or pans.

Flexibility of cooking zones

- Flex: use cookware of any shape or size anywhere within the 40cm long zone.
- Cooking zone front left: 240 mm, 200 mm, 2.2 KW (max. power 3.7 KW)
- Cooking zone rear left: 240 mm, 200 mm, 2.2 KW (max. power 3.7 KW)
- Cooking zone rear right: 280 mm , 2.6 KW (max power 3.7 KW)
- Cooking zone front right: 145 mm, 1.4 KW (max. power 2.2 KW)

Usage convenience

- Direct Select Premium Touch Control: directly control the power on the extra large illuminated touch bar (invisible when switched off).
- 17 power levels for each cooking zone: precisely adapt the heat with 17 power levels (9 main levels and 8 intermediate levels).
- Keep warm function - low setting for keeping food warm at the touch of a button: keep dishes warm at preset low power level.
- Timer with automatic switch off for all zones : switches off the cooking zone at the end of the time set (e.g. for boiled eggs).
- Alarm: an alarm sounds at the end of the time set (e.g. for pasta).
- Count-up timer: shows how much time has passed since starting the timer (e.g. for potatoes).

Time saving & efficiency

- PowerBoost function - reduce the time to heat up large quantities of water: boil water more quickly thanks to 50% more energy than at the highest standard level.
- ShortBoost function - reduce the time to heat up pans: heat up pans more quickly than at the highest standard level while protecting the pan coating.
- Move Mode - 3 Automatic Power Levels: increase or decrease the power level simply by moving the pot forwards or backwards.
- QuickStart - Quick and automatic first pot detection: when switching on, the cooktop automatically selects the cooking zone with cookware (placed in off-mode).
- ReStart - Quickly reinstates previous settings: in case of unintentional switch-off, restore all previous settings by switching on the cooktop again within 4 seconds.

Cooking assistance

- FryingSensor with 5 temperature settings: prevents scorching with the automatic temperature regulation of the integrated sensor.

Design

- Stainless steel side profiles with beveled front

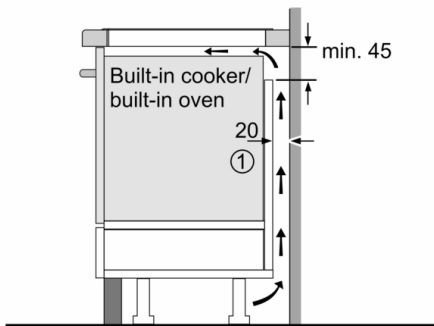
Safety

- Digital 2-stage residual heat indicator: indicates which cooking zones are still hot or warm.
- Childproof lock: prevent unintended activation of the cooktop.
- WipeProtection: wipe overboiled liquids without unintentionally changing settings (blocking all touch buttons for 30 seconds).
- Main switch: switch off all cooking zones at the touch of a button.
- Automatic safety switch-off: for safety reasons, heating stops after a preset time without interaction (customisable).
- Energy consumption display: shows the electricity consumption of the last cooking process.

Installation

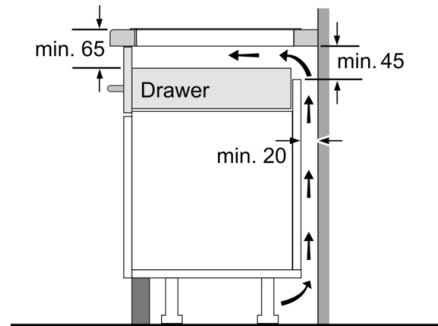
- Dimensions of the product (HxWxD mm): 51 x 816 x 527
- Required niche size for installation (HxWxD mm) : 51 x 750 x (490 - 500)
- Min. worktop thickness: 16 mm
- Connected load: 7.4 KW
- PowerManagement Function: limit the maximum power if needed (depends on fuse protection of electric installation).
- Power cord: 1.1 m, Cable included

**Series 8, Flex induction cooktop, 80 cm,
Black,
PXE875DC1E**

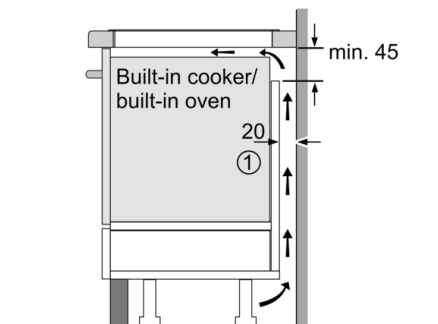
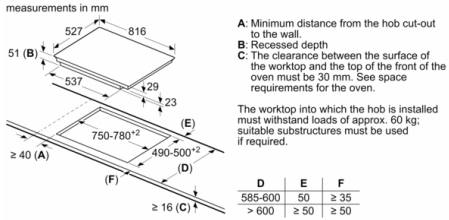


① Ventilation gap must be present

All measurements in mm



Measurements in mm



① Ventilation gap must be present

All measurements in mm

