

Instructions Manual

STH600X - STH900X

INDEX

EN

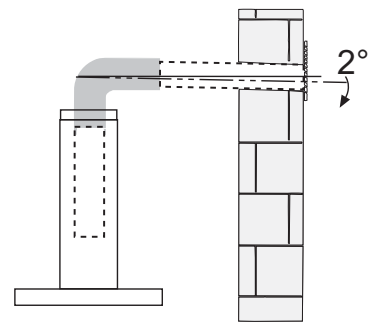
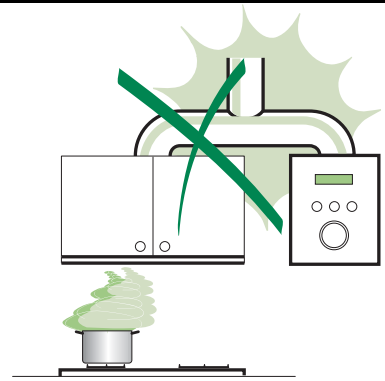
RECOMMENDATIONS AND SUGGESTIONS	3
CHARACTERISTICS	4
INSTALLATION.....	5
USE	7
MAINTENANCE	8

RECOMMENDATIONS AND SUGGESTIONS

 The Instructions for Use apply to several versions of this appliance. Accordingly, you may find descriptions of individual features that do not apply to your specific appliance.

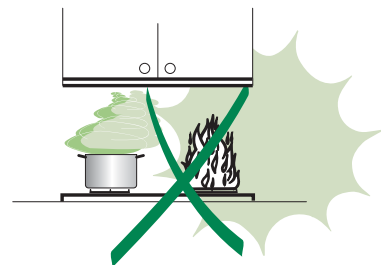
INSTALLATION

- The manufacturer will not be held liable for any damages resulting from incorrect or improper installation.
- The minimum safety distance between the cooker top and the extractor hood is 650 mm (some models can be installed at a lower height, please refer to the paragraphs on working dimensions and installation).
- Check that the mains voltage corresponds to that indicated on the rating plate fixed to the inside of the hood.
- For Class I appliances, check that the domestic power supply guarantees adequate earthing. Connect the extractor to the exhaust flue through a pipe of minimum diameter 120 mm. The route of the flue must be as short as possible.
- Do not connect the extractor hood to exhaust ducts carrying combustion fumes (boilers, fireplaces, etc.).
- If the extractor is used in conjunction with non-electrical appliances (e.g. gas burning appliances), a sufficient degree of aeration must be guaranteed in the room in order to prevent the backflow of exhaust gas. The kitchen must have an opening communicating directly with the open air in order to guarantee the entry of clean air. When the cooker hood is used in conjunction with appliances supplied with energy other than electric, the negative pressure in the room must not exceed 0,04 mbar to prevent fumes being drawn back into the room by the cooker hood.
- In the event of damage to the power cable, it must be replaced by the manufacturer or by the technical service department, in order to prevent any risks.
- If the instructions for installation for the gas hob specify a greater distance specified above, this has to be taken into account. Regulations concerning the discharge of air have to be fulfilled.
“**WARNING:** Failure to install the screws or fixing device in accordance with these instructions may result in electrical hazards.”





USE

- The extractor hood has been designed exclusively for domestic use to eliminate kitchen smells.
- Never use the hood for purposes other than for which it has been designed.
- Never leave high naked flames under the hood when it is in operation.
- Adjust the flame intensity to direct it onto the bottom of the pan only, making sure that it does not engulf the sides.
- Deep fat fryers must be continuously monitored during use: overheated oil can burst into flames.
- Do not flambè under the range hood; risk of fire
- This appliance is not intended for use by persons (including children) with reduced physical, sensory or mental capabilities, or lack of experience and knowledge, unless they have been given supervision or instruction concerning use of the appliance by a person responsible for their safety.
- Children should be supervised to ensure that they do not play with the appliance.
- “**WARNING:** Accessible parts may become hot when used with cooking appliances.”



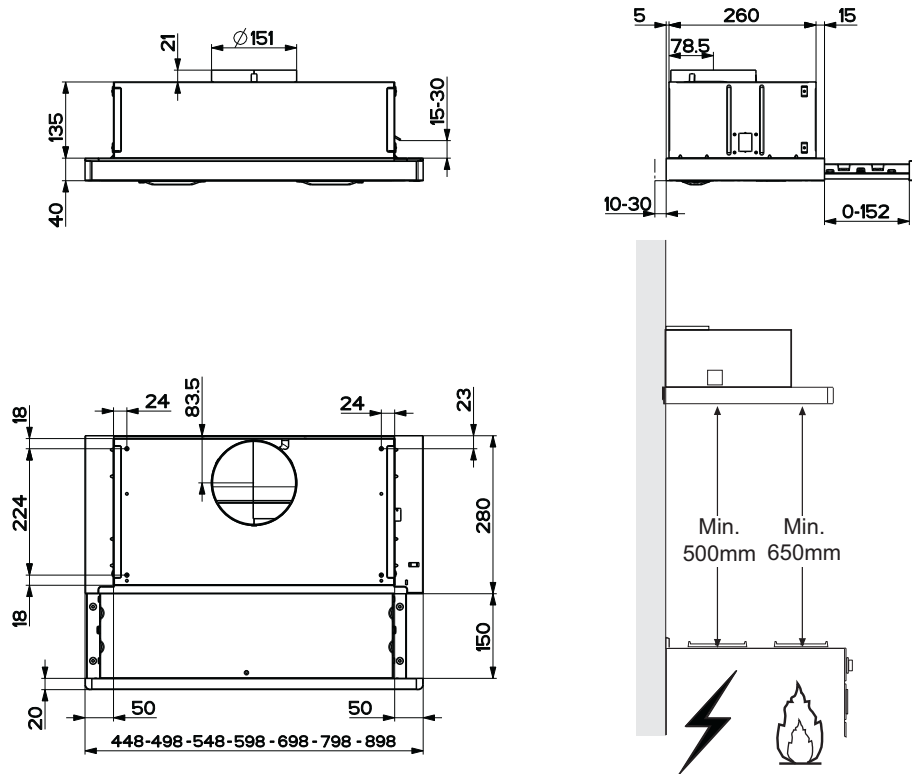
MAINTENANCE

- Switch off or unplug the appliance from the mains supply before carrying out any maintenance work.
- Clean and/or replace the Filters after the specified time period (Fire hazard).
- Clean the hood using a damp cloth and a neutral liquid detergent.

 The symbol  on the product or on its packaging indicates that this product may not be treated as household waste. Instead it shall be handed over to the applicable collection point for the recycling of electrical and electronic equipment. By ensuring this product is disposed of correctly, you will help prevent potential negative consequences for the environment and human health, which could otherwise be caused by inappropriate waste handling of this product. For more detailed information about recycling of this product, please contact your local city office, your household waste disposal service or the shop where you purchased the product.

CHARACTERISTICS

Dimensions

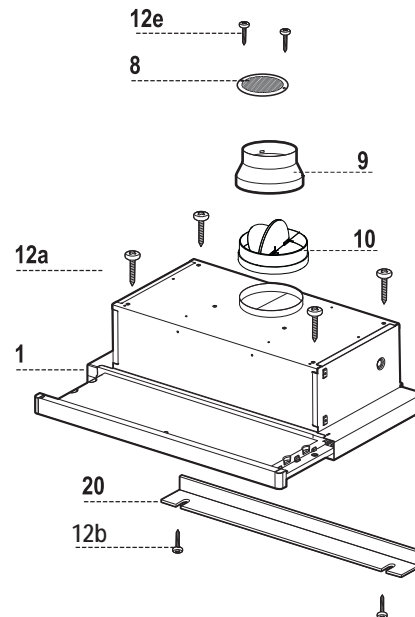


Components

Ref.	Q.ty	Product Components
1	1	Hood Body, complete with: Controls, Light, Blower, Filters
8	1	Directional Air Outlet grille
9	1	Reducer Flange \varnothing 150-120 mm
10	1	Damper \varnothing 150
20	1	Closing element

Ref.	Q.ty	Installation Components
12a	4	Screws 4,2 x 44,4
12b	2	Screws 4,2 x 12,7
12e	2	Screws 2,9 x 9,5

Q.ty	Documentation
1	Instruction Manual

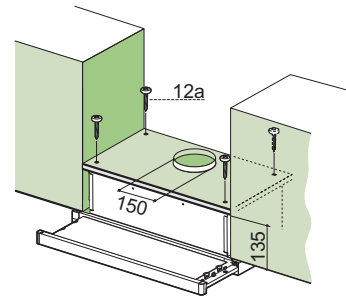


INSTALLATION

Drilling the Support surface and Fitting the Hood

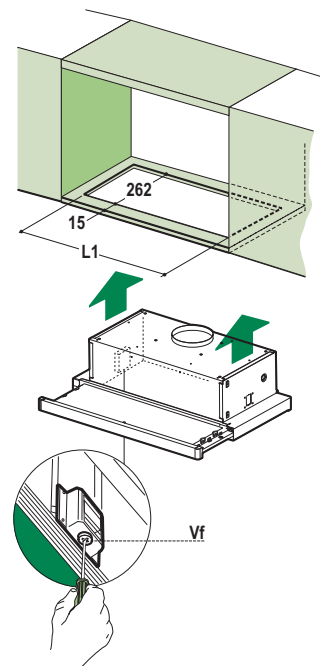
SCREW FITTING

- The hood support surface must be 135 mm above the bottom surface of the wall units.
- Drill the support with a \varnothing 4,5 mm drill bit, using the drilling template provided.
- Cut a hole \varnothing 150 mm in size on the support surface, using the drilling template provided.
- Fix using the 4 screws **12a** (4,2 x 44,4) provided.



SNAP-ON FITTING

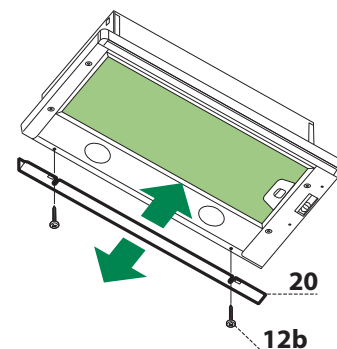
- The hood can be installed either directly on the bottom surface of the wall units using snap-on side supports.
- Cut a fitted opening in the bottom surface of the wall unit, as shown.
- Insert the hood until the side supports snap into place.
- Lock in position by tightening the screws **Vf** from underneath the hood.



Hood Type	45	50	55	60	70	80	90
L1	360	410	460	510	610	710	810

CLOSING ELEMENT

- The space between the edge of the hood and the rear wall can be closed by applying the element **20** provided, using the screws **12b**.



Connections

DUCTED VERSION AIR EXHAUST SYSTEM

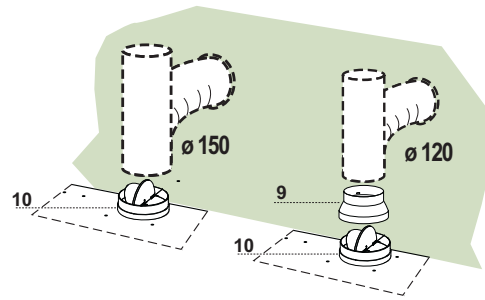
When installing the ducted version, connect the hood to the chimney using either a flexible or rigid pipe \varnothing 150 or 120mm, the choice of which is left to the installer.

To install a \varnothing 150 pipe

- To install the dumper **10**
- Fix the pipe in position using sufficient pipe clamps (not supplied).

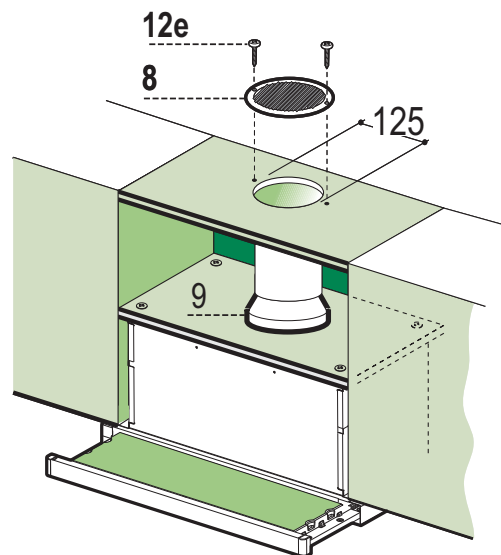
To install a \varnothing 120 pipe

- To install a \varnothing 120 mm air exhaust connection, insert the reducer flange **9** on the dumper **10**.
- Fix the pipe in position using sufficient pipe clamps (not supplied).
- Remove any activated charcoal filters.



RECIRCULATION VERSION AIR OUTLET

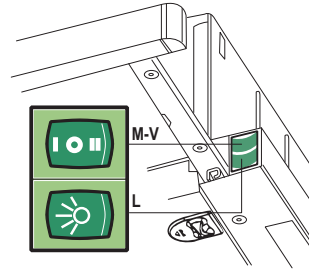
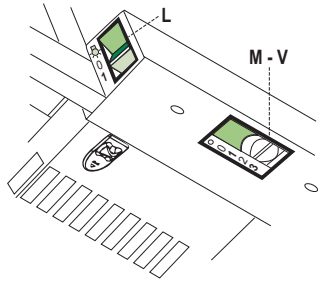
- Cut a hole \varnothing 125 mm in any shelf that may be positioned over the hood.
- Insert the reducer flange **9** on the hood body outlet.
- Connect the flange to the outlet on the shelf over the hood by using a flexible or rigid pipe \varnothing 120 mm.
- Fix the pipe in position using sufficient pipe clamps (not supplied).
- Fix the air outlet grid **8** on the recirculation air outlet by using the 2 screws **12e** (2,9 x 9,5) provided.
- Ensure that the activated charcoal filters have been inserted.



ELECTRICAL CONNECTION

- Connect the hood to the mains through a two-pole switch having a contact gap of at least 3 mm.
- When opening the sliding carriage for the first time after installing the hood, pull it out briskly until it clicks.

Control panel



- | | | |
|----------|-------|---|
| L | Light | Switches the lighting system on and off. |
| M | Motor | Switches the extractor motor on and off. |
| V | Speed | Sets the operating speed of the extractor: |
| | | 1. Low speed, used for a continuous and silent air change in the presence of light cooking vapour. |
| | | 2. Medium speed, suitable for most operating conditions given the optimum treated air flow/noise level ratio. |
| | | 3. Maximum speed, used for eliminating the highest cooking vapour emission, including long periods. |

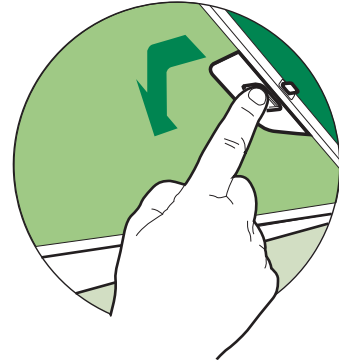
- | | | |
|----------|-------|---|
| L | Light | Switches the lighting system on and off. |
| M | Motor | Switches the extractor motor on and off. |
| V | Speed | Sets the operating speed of the extractor: |
| | | 1. Low speed, used for a continuous and silent air change in the presence of light cooking vapour. |
| | | 2. Medium speed, suitable for most operating conditions given the optimum treated air flow/noise level ratio. |

MAINTENANCE

Grease filters

CLEANING METAL CASSETTE GREASE FILTERS

- The filters must be cleaned every 2 months, or more frequently in case of particularly heavy use of the hood. Filters can be washed in a dishwasher.
- Pull out the sliding suction panel.
- Remove the filters one by one, after having disconnected the relative fastening elements.
- Wash the filters, taking care not to bend them. Let them get dry before refitting them. (The colour of the filter surface may change throughout the time but this has no influence to the filter efficiency).
- When refitting the filters, make sure that the handle is visible on the outside.
- Close the sliding suction panel.

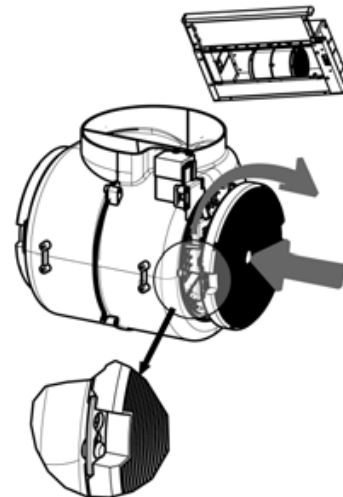


Charcoal filter (Recycling version)

REPLACING CHARCOAL FILTERS

Warning: Turn the lights off and wait until the lamps cool down before you change the odour filter.

- These filters are not washable and cannot be regenerated, and must be replaced approximately every four months or more frequently by particularly heavy use.
- Pull out the sliding suction panel.
- Remove the grease filters.
- Remove the saturated carbon filter by releasing the fixing hooks.
- Fit the new filter by hooking it into its seating.
- Replace the grease filters.
- Close the sliding suction panel.

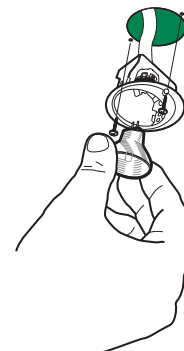


Lighting

LIGHT REPLACEMENT

20 W halogen light.

- Remove the 2 screws fixing the Lighting support, and pull it out of from the Hood.
- Extract the lamp from the Support.
- Replace with another of the same type, making sure that the two pins are properly inserted in the lamp holder socket holes.
- Refit the Support, fixing it in place with the two screws removed as above.



CE

991.0319.368_ver2