



# HYDROTAP G5 BCHA CELSIUS PLUS ALL-IN-ONE PULL-OUT GUNMETAL



**BOILING**



**CHILLED**



**HOT & AMBIENT**

**FILTERED**

**UNFILTERED**

## Order Code H5X784Z09AU

Zip HydroTap Design Range CELSIUS PLUS All-In-One Pull-Out Boiling & Chilled Filtered water, plus Hot and Cold washing up water from a single tap (hot and cold water supply required) including the artfully incorporated pull-out sprayer for convenience. The intuitive touch-pad with antimicrobial protection operates the filtered drinking water, while the lever dispenses unfiltered hot and cold water. The system features a single under bench command centre including full colour interactive touch screen display with pin code protection and customisable settings including boiling water safety mode, 3 energy saving modes including ON/OFF timers and 2 hour sleep mode, 'Quiet' mode with automated intelligent fan speed adjustment, antimicrobial protection impregnated into key water paths for enhanced hygiene, 100% water efficient air cooled technology and 0.2 micron water filtration.

**This product is available from selected specialist retailers. Click the "Find your Specialist Retailer" link to find your local showroom.**

Manufacturing Code H5X784Z09AU

Capacity Residential



---

<b>Tap</b>	Zip HydroTap Design Range CELSIUS PLUS All-In-One Pull-Out Tap (Gunmetal)
<b>Water Pressure</b>	Min 250kPa - Max 700kPa
<b>Water Connection</b>	1/2" BSP (G1/2)
<b>Water Supply Requirements</b>	Cold and Hot
<b>Water Valves</b>	Integrated 500kPa Pressure limiting valve and Dual Check Valve
<b>Power Rating</b>	1.8kW 220-240V 50Hz
<b>Power Supply</b>	1 x 10 Amp socket outlet
<b>Dimensions</b>	W280mm x D478mm x H333mm
<b>Product Approvals</b>	WaterMark, RCM, ARC
<b>Wels Rating</b>	6 Star, 4.5 litres
<b>Warranty</b>	5 years (appliance warranty 36 months plus additional 24 months tank warranty)

---

## Installation Requirements

1. Installation and connection of your Zip HydroTap must be carried out by a qualified person, observing national and local regulations.
2. You will require suitable mains electrical and drinking water connections, plus waste water drainage all within 1.5 metres of the product.
3. **Discrete cabinetry cut outs are required for airflow. 40mm minimum clearance on cupboard base overhang required otherwise alternative installation options are available.**
4. Installation on most bench tops is straightforward however some stone bench tops may require a specialised cutting service.
5. If you live in a hard water area, we recommend installation of a Zip scale filtration kit.
6. Installation by Zip Professional Service can be arranged with a phone call or through [www.zipwater.com/book-service-visit](http://www.zipwater.com/book-service-visit)

---

### Installation Detail

**Ventilation requirements** Contact your local service provider if ventilation is not suitable

**Option 1. Cupboard with 40mm min overhang**

50mm min clearance beside inlet

40mm min

Air exhaust cut-out

min. 40

240

**Option 2. Cupboard with less than 40mm overhang**

50mm min clearance beside inlet

Air exhaust cut-out

60

285

Floor mounting plate cut-out

40

240

**Tap Positioning**

Position the Tap to dispense into the sink.

Ø50mm hole for Tap

Sink

Allow clearance for spout rotation.

130°

**Celsius Plus All-in-One Pull-Out Tap**

Hose Management System

Clearance Envelope

IEC Flex & Plug 230-240V, 50Hz power outlet

Hot water & mains water isolation valves (not supplied)

200 min.

333

280

50 min.

**Hose Management System**

For ease of installation, the wall area directly under the tap and to either the right or left side, as shown, should be clear of obstructions. Locate water and electricity outlets elsewhere.

Rotate the Hose Management System to align the pull-out hose within the allowable offset. Refer to the instructions supplied.

4mm buffer pad air space

Spray nozzle extends up to 900mm

Clearance Envelope

150 min.

A minimum overhang or kickboard height is required for ventilation. Refer to the installation instructions.

478

**Allowable offset for pull-out hose:**

250 approx

150 min

400 approx

10mm from tap centre-line

30mm from tap centre-line

50mm from tap centre-line

700 approx

> 700

113

219

150 min

251

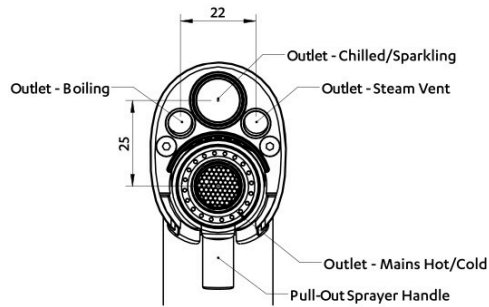
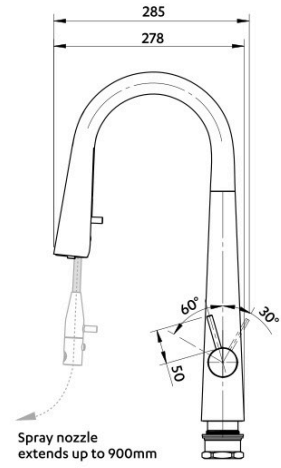
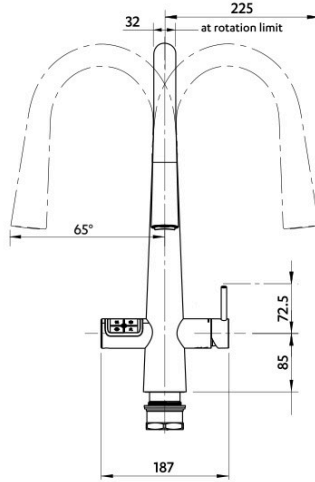
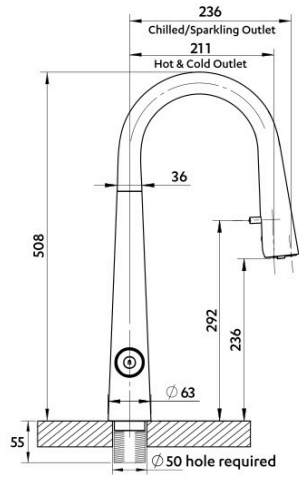
180°

SCALE 1:5  
ALL DIMENSIONS IN MM UNLESS OTHERWISE SPECIFIED. INSTALLATION DIAGRAMS ARE FOR ILLUSTRATIVE PURPOSES ONLY. HOSES ARE NOT SHOWN TO SCALE AND CANNOT BE LENGTHENED.

**HydroTap G5  
BC Home**  
with Celsius Plus All-in-One Pull-Out Tap

Tap Detail

BK13 A3 Mixer Taps v1.01 10.2024



VIEW UNDER OUTLET NOZZLE

**Provide Ø50mm hole in sink/benchtop to install.  
This Tap is intended for MAINS setup**

**CELSIUS PLUS ALL-IN-ONE PULL-OUT - BC, BCS**

ALL DIMENSIONS IN MM UNLESS OTHERWISE SPECIFIED