



OCSM8478G

Oven with microwave and steam

Display type: Touch Screen Display
 Installation type: Built-in
 size class: 45 cm
 Available colour: Black
 Product dimensions (HxWxD): 45,5 × 59,5 × 54,6 cm
 5 Air Flow System, Oven volume 50l, 5 in 1, SousVide



Aqua clean, Auto defrost, Clean air, Combi steam, Combi steam high, Combi steam low, Combi steam middle, Defrosting, Defrosting bread, Eco, Fast preheat, Full steam function, Grill, Grill fan microwave, Grill with fan and microwaves, Heating beverage, Heating meal, Hot air, Hot air bottom heat, Keep warm, Large grill, Large grill fan, Low temperature steam, Lower heater, Lower heater with circular and fan, Lower heater with fan, Micro hot air, Microwave, Microwave 1000w, Plate warming, Pro Roast (ASKO), Pyrolytic Clean (ASKO), Regenerate (ASKO), Sous vide program (ASKO), Steam clean, Upper and lower heater (ASKO), Upper heater



Construction & Performance

- Maximum oven temperature: 230 °C
- Multi Steam 360
- Stirrer technology
- Microwave power: 1000 W

Use & Flexibility

- Oven lighting: Both sides
- Water container: 1,3 l
- Oven useful volume (old energy label): 50 l
- baking levels: 4
- OpenView
- 1x wire guides
- Grid
- Glass frying pan(s)
- Steam tray
- 1 full width perforated steam tray
- 1 Shallow tray
- 1/2 width perforated steam tray
- 1/3 width perforated steam tray

Interaction & Control

- Knob shape: LED
- TFT display

Programs, options and modes

- Lower heater BIO
- Upper Heater
- Lower and upper heater
- Small infra heater
- Large Infra Heater
- Large infra heater with ventilation
- Circular heater
- Eco-function
- Lower heater and fan
- Lower heater with fan BIO
- Strong steam
- Medium steam
- Low steam
- Steam baking
- SousVide
- Defrost cooker
- WarmPlate

Standard accessories



- StayWarm function
- Fast Preheat
- STEP Bake
- Auto roast function
- Microwaves and grill
- Microwave and hot air
- Microwaves

Design & Integration

- Door material: Glass
- Available colour: Black
- Niche dimensions (HxWxD): 45 × 56 × 55 cm

Safety & Maintenance

- Dynamic oven cooling plus - DC+
- Soft open and gentle close door hinge
- child lock
- Mechanic door safety bolt
- Removable flat oven inner door glass surface
- AquaClean function
- SousVide
- Descaling

Technical data

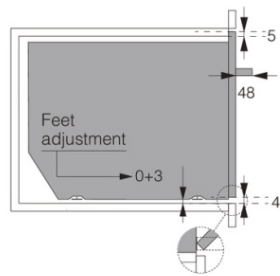
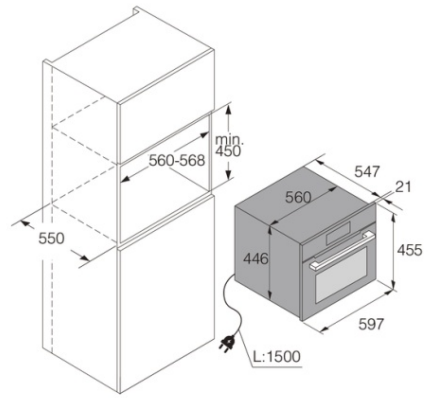
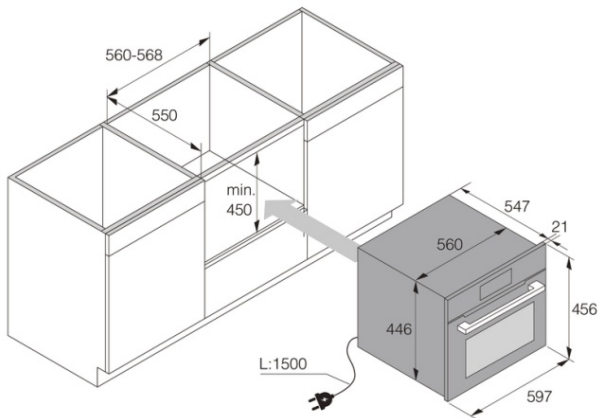
- Consumption in standby mode: 1 W
- Connection rating: 3000 W
- Voltage: 220-240 V
- Nominal current: 16 amp
- Frequency: 50 Hz
- Number of phases: 1

Dimensions

- Product dimensions (HxWxD): 45,5 × 59,5 × 54,6 cm
- Length electrical cord: 1,5 m
- Net weight: 37,4 kg

Logistic information

- Dimensions of packed product (HxWxD): 55 × 66 × 70 cm
 - Gross weight: 42,1 kg
 - Product code: 731915
 - EAN code: 3838782152849
-



Elements 45 cm

