

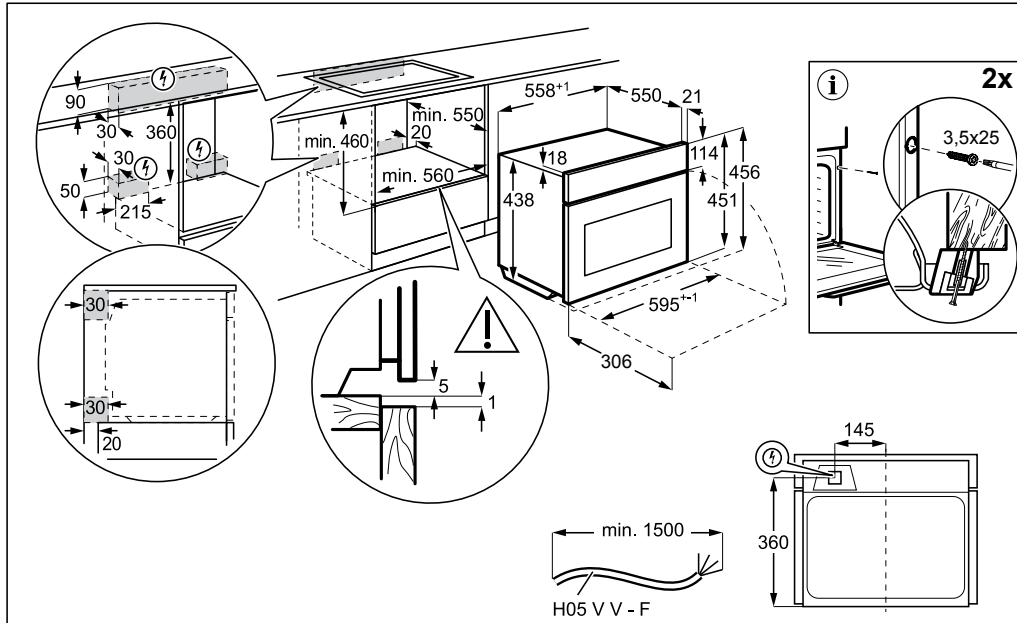
9000 SERIES

NKK9A801B

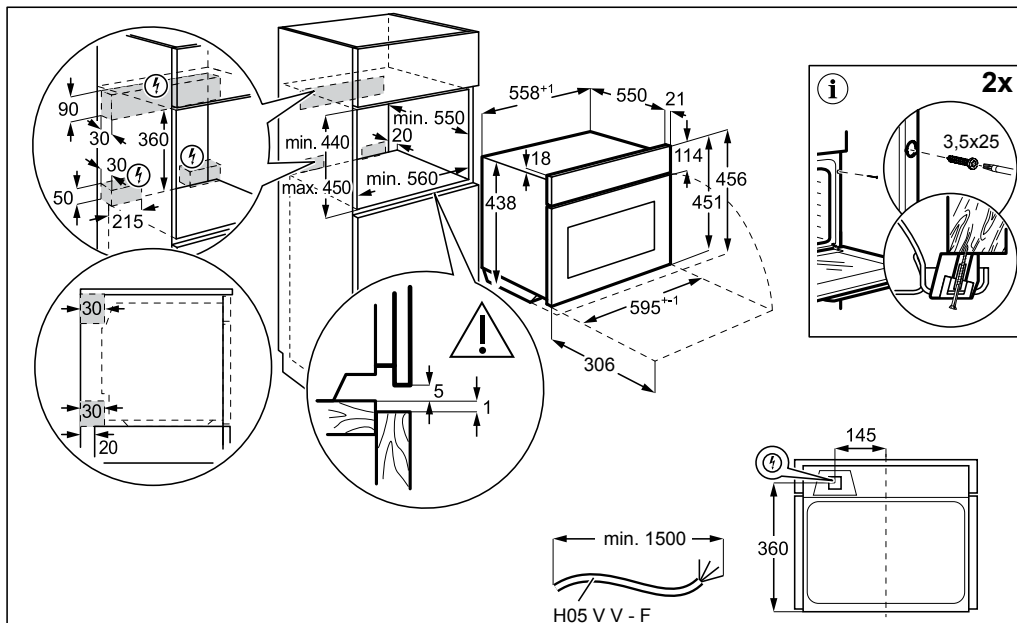
BUILT-IN COMBINATION MICROWAVE OVEN

Dimensions	Width (mm)	Height (mm)	Depth (mm)
Underbench cut-out (mm)	560	450	550
Carbinet cut-out (mm)	560	450	550
Product (mm)	595	456	571

UNDERBENCH



CABINET



IMPORTANT

These dimensions are a guide only. All measurements are in millimetres (mm).
For complete installation instructions, refer to the manual provided with product.