

TR90IMP

90CM VICTORIA INDUCTION FREESTANDING COOKER

MADE IN ITALY

Since 1948



THERMOSEAL

The seal of Smeg's quality, technical excellence and taste: succulent roasts, crisp pastry and impressive baking is achieved in Smeg's unique, perfectly controlled cooking environment. Thermoseal maintains the perfect atmospheric balance in the cavity for optimum cooking conditions.

SOFT CLOSE DOOR

The new soft-close mechanism on Smeg's oven doors ensures a two-stage soft and quiet close. Smeg's quality hinges also ensure the door will not drop on opening, an intrinsic safety feature.

VAPOUR CLEAN

Used to help remove build-up of cooking debris inside the oven, Vapour Clean is a special steam assisted cleaning program. Grease or cooking residue is softened by the combination of gentle heat and water vapour for easier removal.

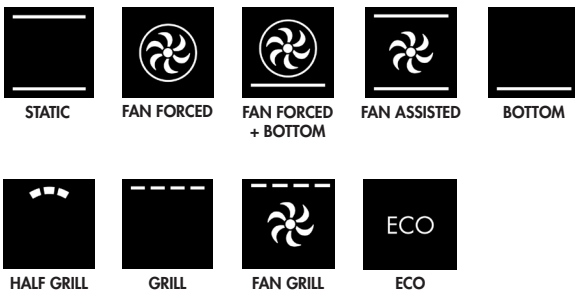
BOOST FUNCTION

Provides an additional surge of power for even more intense heat, ideal for rapid boiling or stir frying. The temperature will revert to power level 9 when complete.

LIMITED POWER CONSUMPTION MODE

Save energy without compromising cooking results with the power limitation system, enabling a minimum power draw of 3.7kW.

NINE TRADITIONAL COOKING FUNCTIONS:



MATCHING PRODUCTS:

KT90PA RANGEHOOD



KITCMNKPU RANGEHOOD FLUE EXTENSION



OTHER FUNCTIONS:



TR90IMP

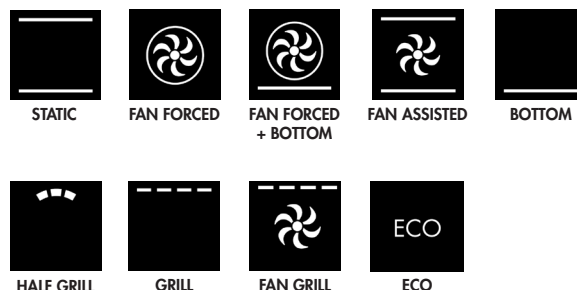
90CM VICTORIA INDUCTION FREESTANDING COOKER

MADE IN ITALY

Since 1948

EAN	8017709344764
Dimensions	900mmW x 870-910mmH x 600mmD (including feet, excluding handle) (refer to technical drawing)
Finish	Cream
Installation	Freestanding
Display	Programmer Clock with 5 buttons
Power	220-240V, 50/60Hz 10,600W 46A Connection
Warranty	Five years parts and labour

NINE TRADITIONAL COOKING FUNCTIONS:



OTHER FUNCTIONS:



MAIN OVEN FEATURES

Capacity	126L
Cooking functions	9
Other functions	2
Door	Triple glazed Cool Door Technology
Shelf positions	5
Thermostat	50° C - 260° C
Cooking with probe	No
Cleaning	Vapour Clean
Lighting	2 x 40W halogen
Safety	Thermal protection system
Fans	2
Timer	End of cooking acoustic alarm Timer
Door	Soft close door

INDUCTION HOB FEATURES

Capacity	5 zones: Front left 210mmØ 2300W/3000W boost Rear left 180mmØ 1300W/1400W boost Centre 270mmØ 2300W/3000W boost Rear right 180mmØ 1300W/1400W boost Front right 210mmØ 2300W/3000W boost
Safety	Automatic switch when overheat Residual heat indicator
Features	Automatic pan detection

INCLUDED ACCESSORIES

- 1 x Chrome shelf
- 1 x Grill insert
- 1 x 20mm enamelled deep baking tray
- 1 x 40mm enamelled deep baking tray
- 1 x GTP - Partial telescopic guides

OPTIONAL ACCESSORIES

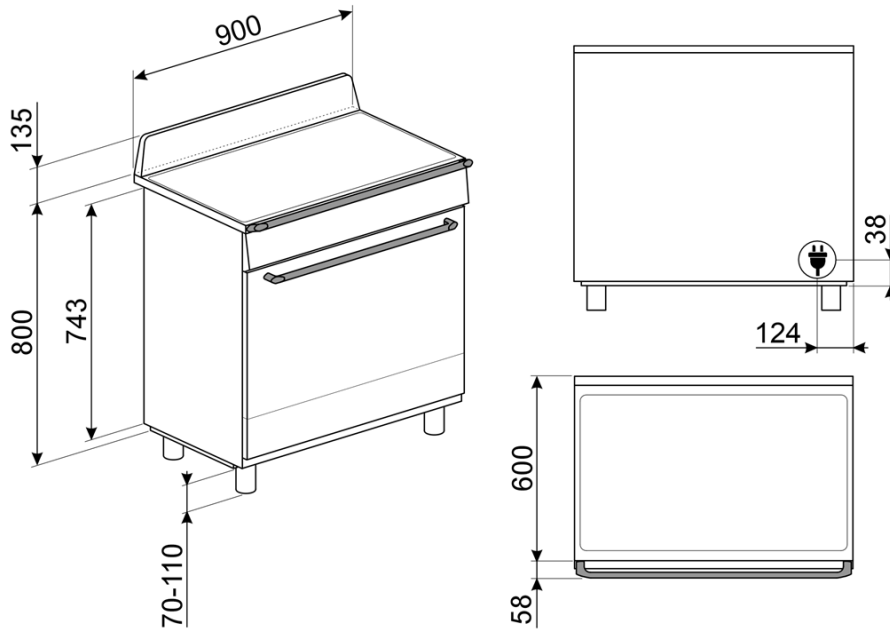
- GTP - Partial telescopic guides
- GTT - Full telescopic guides
- PPR9 - Pizza stone

TR90IMP

90CM VICTORIA INDUCTION FREESTANDING COOKER

MADE IN ITALY

Since 1948



Dimensions	900mmW x 870-910mmH x 600mmD (including feet, excluding handle) (refer to technical drawing)
Power	220-240V, 50/60Hz 10,600W 46A Connection
Warranty	Five years parts and labour

PLEASE NOTE: drawings are not to scale. They are to assist only.

WARNING: technical specifications and product sizes can be varied by the manufacturer without notice.

Cutouts for appliances should only be by physical product measurements. The above information is indicative only.