

**Series 8, Wall-mounted canopy
rangehood, 90 cm, clear glass black
printed
DWK91LT65**



**The premium inclined rangehood, with
superior performance and outstanding
design**

- **EcoSilence Drive:** the powerful, energy-saving drive for hoods.
- **Cooktop-based Hood Control:** convenient operation of the hood via your hob.
- **Temperature Light:** create perfect kitchen ambience with adjustable LED lighting.
- **Home Connect:** control your hood via the app.

- DWZ0BX6K1 Chimney extension 1000 mm
- DWZ0BX6L1 Chimney extension 1500 mm
- DWZ1BK1B6 Clean Air Plus odor filter (replacement)
- DWZ1BK1I6 Clean Air Plus recirculation kit
- DWZ1BK1P1 Long Life odor filter (replacement)
- DWZ1BK1R1 Long Life recirculation kit (chimless)
- DWZ1BK1S1 Long Life recirculation kit
- DWZ1BK1V6 Clean Air Plus recirc. kit (chimless)
- HEZG9AS00S Adapter

Typology:Wall-mounted
 Length electrical supply cord: 130.0 cm
 Height of the chimney: 420-663/457-750 mm
 Height of product, without chimney: 450 mm
 Minimum distance above an electric cooktop: 600 mm
 Minimum distance above a gas cooktop: 650 mm
 Net weight: 25.8 kg
 Type of control:Electronic
 Number of power settings: 3-stages + 2 intensive settings
 Max. air extraction: 441 m³/h
 Boost position output recirculating: 944 m³/h
 Max. air recirculation: 437 m³/h
 Boost position air extraction: 1007 m³/h
 Number of lights: 2
 Noise level: 51 dB(A) re 1pW
 Diameter of air outlet: 150 mm
 Grease filter material: Washable stainless steel
 EAN code: 4242005307418
 Connection rating: 250 W
 Fuse protection: 10 A
 Voltage: 220-240 V
 Frequency: 50; 60 Hz
 Plug type: Gardy plug w/ earthing
 Installation typology:Wall-mounted



Series 8, Wall-mounted canopy rangehood, 90 cm, clear glass black printed DWK91LT65

The premium inclined rangehood, with superior performance and outstanding design

Design:

- Inclined design
- Wall-mounted
- Suitable for ducted or re-circulated extraction
- In recirculation operation chimneyless use possible
- For recirculation operation Clean Air Plus recirculation kit (not included with appliance) needed.

Features:

- EcoSilence Drive: Efficient BLDC technology
- 2, LED, adjustable colour temperature lights
- SoftLight: the lighting elements switch on and off smoothly.
- Dimming function: the brightness of the lighting elements can be adjusted.
- Colour Temperature: 3500 K
- Light Intensity: 422 lux
- Ambient Light
- Powerboost position: Rangehood can be set to a defined extraction boost position in order to increase the catch rate of particularly strong cooking smells and large amounts of steam.
- 2 capture areas: front side and bottom side
- 3 metal grease filter(s).

Comfort Features:

- PerfectAir sensor: Automatic Sensor-based performance control for best results
- Backlit DirectSelect control
- 3 power levels + 2 intensive levels
- Automatic reset from intensive to normal setting after 6 min
- Saturation display for filters
- after run automatic: 10 minutes

Digital Features:

- Home Connect: operate, monitor and set preferences of your rangehood via smartphone or tablet.
- Cooktop-based rangehood control: automatically activates the rangehood when cooking, thanks to the WiFi connection of the rangehood and a suitable cooktop.
- Voice Control enabled via popular voice assistants
- Customisable Performance Profiles: choose between standard, performance or silence profiles to increase the extraction rate or reduce the fan noise via Home Connect App
- Favourite Button: directly access favourite functions with a configurable button (available with connected Home Connect account).
- Smart home trigger, via Favourite button (available with connected Home Connect account): open up the smart universe from your rangehood (partner service required).
- LED light with adjustable light temperature: Allows you to adapt the light temperature to your personal needs via Home Connect

App

- Ambient Light with more than 16 million colour options for inspiring illumination via Home Connect App
- Updateable appliance (available with connected Home Connect account): keep appliance always up to date with latest status of software.

Cleaning Comfort:

- Extremely large opening angle for an easy filter accessibility and easy cleaning.
- Easy to clean smooth surfaces and materials.
- Metal grease filter dishwasher-safe

Performance Exhaust:

- According to EN 61591 and EN/ IEC 60704-2-13 your appliance can achieve the following values in exhaust mode: Speed 1: extraction rate 228 m³/h ; noise level 35 dB (A) re1pW Speed 2: extraction rate 325 m³/h ; noise level 43 dB (A) re1pW Speed 3: extraction rate 441 m³/h ; noise level 51 dB (A) re1pW Intensive 1: extraction rate 753 m³/h ; noise level 65 dB (A) re1pW Intensive 2: extraction rate 1007 m³/h; noise level 70 dB (A) re1pW

Performance Recirculation:

- According to EN 61591 and EN/ IEC 60704-2-13 your appliance can achieve the following values in recirculation mode with Clean Air plus recirculation kit, for installation with chimney (available as optional accessory): Speed 1: extraction rate 211 m³/h ; noise level 42 dB (A) re1pW Speed 2: extraction rate 315 m³/h ; noise level 51 dB (A) re1pW Speed 3: extraction rate 435 m³/h ; noise level 59 dB (A) re1pW Intensive Speed 1: extraction rate 752 m³/h ; noise level 72 dB (A) re1pW Intensive Speed 2: extraction rate 964 m³/h ; noise level 78 dB (A) re1pW

Technical Information:

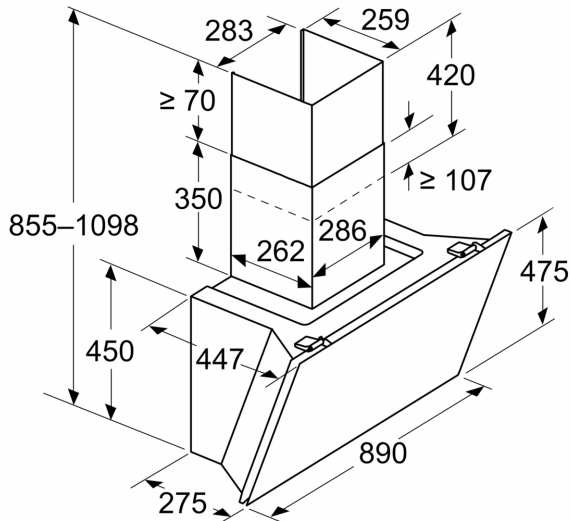
- Power rating: 250 W
- Voltage: 220 - 240 V
- Made in Germany: produced at a CO₂ neutral production site
- Environmentally friendly packaging

Planning and Installation Information:

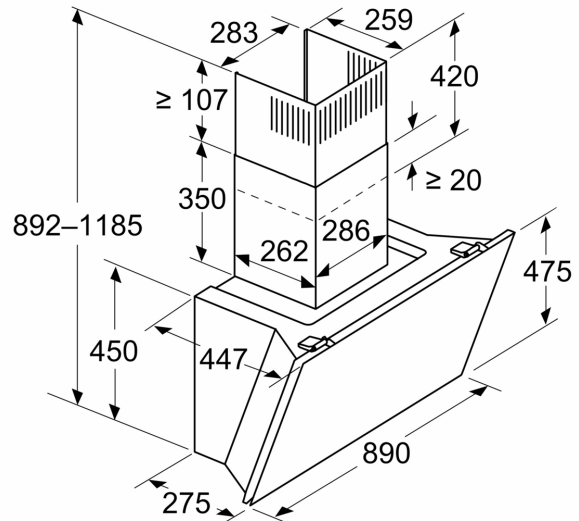
- Dimensions exhaust air (HxWxD): 855-1098 x 890 x 447 mm
- Dimensions recirculating (HxWxD): 892-1185 x 890 x 447 mm
- Diameter pipe Ø 150 mm (Ø 150 mm enclosed)
- Electrical cable length 1.3 m
- with one-way flap: prevents outside air from entering your kitchen

**Series 8, Wall-mounted canopy
rangehood, 90 cm, clear glass black
printed
DWK91LT65**

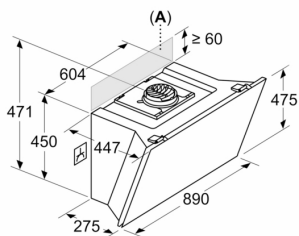
Measurements in mm
Appliance in exhaust air mode



Measurements in mm
Appliance in circulated air mode



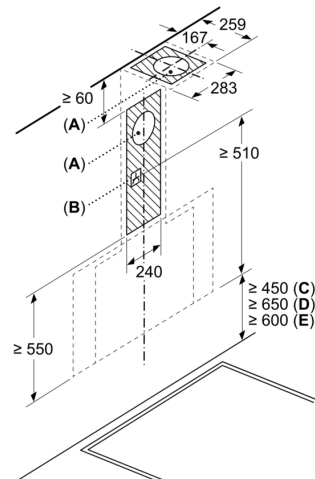
Measurements in mm
Appliance in circulated air mode without duct



Socket can be fitted to the side of or above the appliance

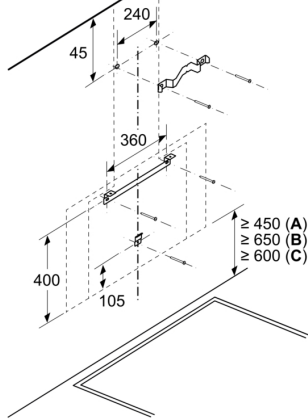
A: Socket only outside the marked area

Measurements in mm



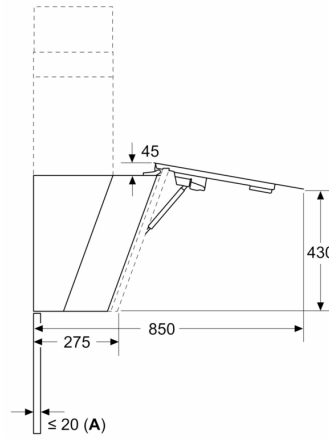
- A: Exhaust-air outlet
- B: Socket
- C: Electric
- D: Gas - from upper edge of pan support
- E: Electric - for Australia and New Zealand

Measurements in mm
Wall installation with chimney



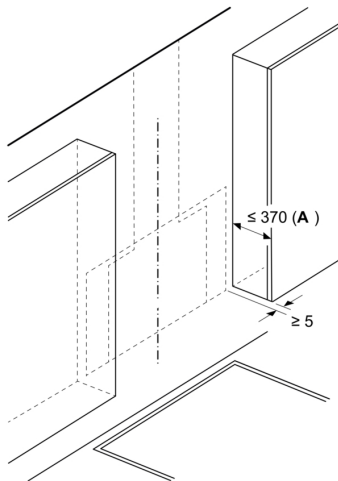
- A: Electric
- B: Gas - from upper edge of pan support
- C: Electric - for Australia and New Zealand

Measurements in mm



- A: Max. back wall thickness

Measurements in mm



- A: Max. depth of side upper cabinets (incl. door) due to installation of glass plate

Appliance must be installed before upper cabinets, if these are deeper than 370 mm