

## Series 4, Wall-mounted canopy rangehood, 90 cm, Matt black DWB95CC60A



- **Push button control:** for simple and convenient adjustment of your rangehood settings.
- **Metal grease filters:** capture grease and are easy to clean for fresher air.
- **LED lighting:** energy-efficient LED lighting for bright, even cooktop illumination.
- **Black Design:** elegant carbon black finish with reduced fingerprint visibility.
- **Dual filter system:** efficient and long-lasting air and odour filtration.

- DWZ1FB1B6 Long-life Clean Air odor filter (repl.)
- DWZ1FB616 Long-life Clean Air recirculation kit
- DWZ1FB6K2 Chimney extension 1000 mm

Typology: .....Wall-mounted  
 Length electrical supply cord: ..... 130 cm  
 Height of product, without chimney: ..... 60 mm  
 Minimum distance above an electric hob: ..... 600 mm  
 Minimum distance above a gas hob: .....650 mm  
 Net weight: ..... 14.5 kg  
 Type of control: .....mechanical  
 Number of speed settings: ..... 3  
 Max. air extraction: ..... 594 m<sup>3</sup>/h  
 Max. air recirculation: ..... 569 m<sup>3</sup>/h  
 Number of lights: ..... 2  
 Noise level: .....67 dB(A) re 1pW  
 Diameter of air outlet: ..... 150 mm  
 Grease filter material: ..... Washable stainless steel  
 EAN code: .....4242005530472  
 Connection rating: ..... 200 W  
 Voltage: ..... 220-240 V  
 Frequency: ..... 50 Hz  
 Plug type: ..... AU plug  
 Installation type: ..... Wall-mounted



## Series 4, Wall-mounted canopy rangehood, 90 cm, Matt black DWB95CC60A

---

### Design:

- Canopy rangehood
- Wall-mounted
- Suitable for ducted or recirculated extraction

### Features:

- Energy efficient capacitor motor
- 2 x LED 1.5W lights
- Colour Temperature: 3500 K
- Light Intensity: 265 lux
- 3 metal grease filter(s)

### Comfort Features:

- Push button controls for power and light
- 3 power settings

### Cleaning Comfort:

- Easy to clean smooth surfaces and materials
- metal grease filter dishwasher-safe
- Coated surfaces to reduce fingerprints

### Exhaust/Ducted Mode:

- According to EN 61591 and EN/ IEC 60704-2-13 your appliance can achieve the following values in exhaust mode:
- Speed 1: extraction rate 361 m<sup>3</sup>/h; noise level 57 dB(A) re1pW
- Speed 2: extraction rate 469 m<sup>3</sup>/h; noise level 63 dB(A) re1pW
- Speed 3: extraction rate 594 m<sup>3</sup>/h; noise level 67 dB (A) re1pW

### Recirculation Mode:

- According to EN 61591 and EN/ IEC 60704-2-13 your appliance can achieve the following values in recirculation mode with Long-life Clean Air recirculation kit (available as optional accessory):
- Speed 1: extraction rate 360 m<sup>3</sup>/h; noise level 60 dB(A) re1pW
- Speed 2: extraction rate 477 m<sup>3</sup>/h; noise level 67 dB(A) re1pW
- Speed 3: extraction rate 569 m<sup>3</sup>/h; noise level 71 dB (A) re1pW
- For recirculation operation Long-life Clean Air recirculation kit (accessory) needed
- The Long-life Clean Air odour filter absorbs intense odours, such as fish, as well as pollen. The lifetime can be extended up to 4 times by refreshing the filter in the oven

### Technical Information:

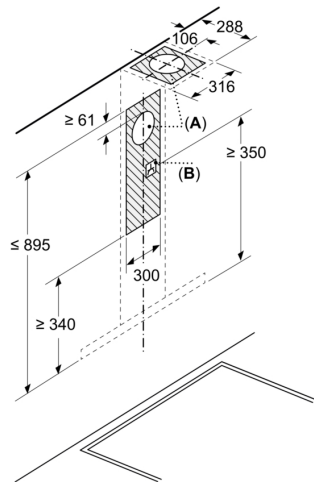
- Consumption data:
- Power rating: 200 W
- Voltage: 220 - 240 V
- Sustainability:
- Made in Germany: produced at a CO<sub>2</sub> neutral production site
- Expanded plastic free packaging

### Planning and Installation Information:

- Reduced assembly effort thanks to the easy installation method
- Dimensions exhaust air (HxWxD): 635-895 x 898 x 500 mm
- Dimensions recirculating (HxWxD): 803-943 x 898 x 500 mm
- Diameter pipe Ø 150 mm
- Electrical cable length 1.3 m

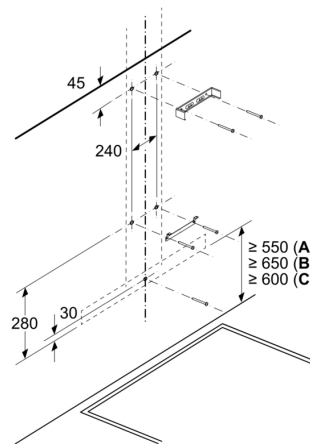
## Series 4, Wall-mounted canopy rangehood, 90 cm, Matt black DWB95CC60A

Measurements in mm



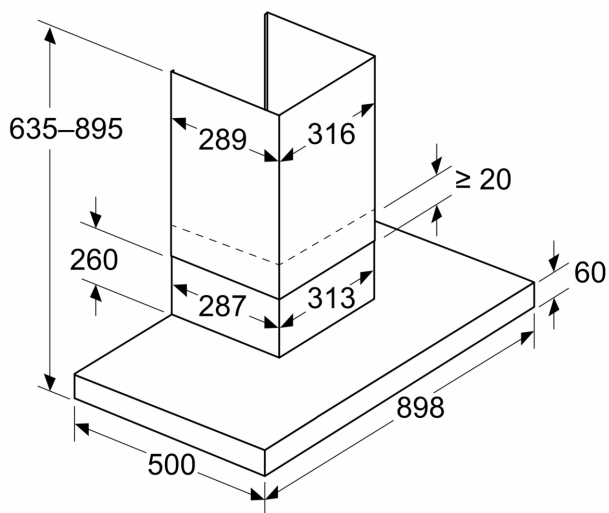
A: Exhaust air  
B: Electrical connection

Measurements in mm  
Wall installation with chimney

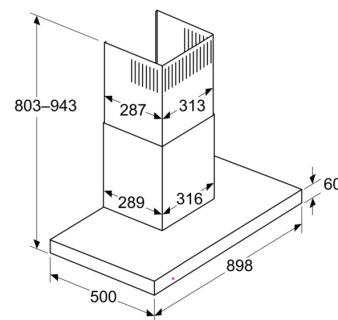


A: Electric  
B: Gas - from upper edge of pan support  
C: Electric - for Australia and New Zealand

Measurements in mm  
Appliance in exhaust air mode



Measurements in mm  
Recirculation perspective



Recirculation mode with recirculation kit (the recirculation kit is only available as a separate accessory)

Measurements in mm  
**Wall panel depth**

