

TRA90GMBL
90CM VICTORIA GAS FREESTANDING COOKER

MADE IN ITALY
Since 1948



THERMOSEAL

The seal of Smeg's quality, technical excellence and taste: succulent roasts, crisp pastry and impressive baking is achieved in Smeg's unique, perfectly controlled cooking environment. ThermoSeal maintains the perfect atmospheric balance in the cavity for optimum cooking conditions.

EVER CLEAN ENAMEL

The superior quality of Smeg's signature Ever Clean enamel, which is highly durable and easy to clean, is the result of over 75 years of enameling expertise; ensuring long-life performance of every Smeg oven.

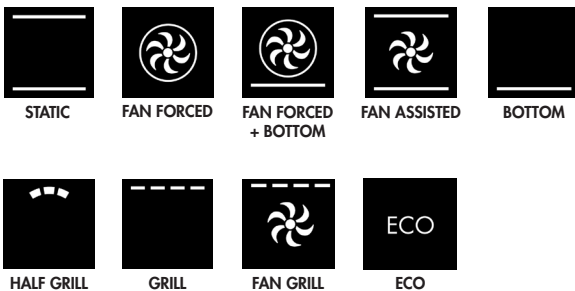
SOFT CLOSE DOOR

The new soft-close mechanism on Smeg's oven doors ensures a two-stage soft and quiet close. Smeg's quality hinges also ensure the door will not drop on opening, an intrinsic safety feature.

VAPOUR CLEAN

Used to help remove build-up of cooking debris inside the oven, Vapour Clean is a special steam assisted cleaning program. Grease or cooking residue is softened by the combination of gentle heat and water vapour for easier removal.

NINE TRADITIONAL COOKING FUNCTIONS:



OTHER FUNCTIONS:



MATCHING PRODUCTS:

KT90BLA RANGEHOOD



KITCMNKBU RANGEHOOD FLUE EXTENSION



TRA90GMBL

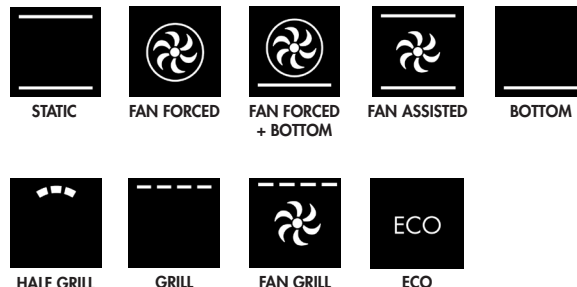
90CM VICTORIA GAS FREESTANDING COOKER

MADE IN ITALY

Since 1948

EAN	8017709345082
Dimensions	900mmW x 870-910mmH x 600mmD (including feet, excluding handle) (refer to technical drawing)
Finish	Black Enamel
Installation	Freestanding
Display	Programmer Clock with 5 buttons
Power	220-240V, 50/60Hz 3,200W 14A Connection
Warranty	Five years parts and labour

NINE TRADITIONAL COOKING FUNCTIONS:



OTHER FUNCTIONS:



MAIN OVEN FEATURES

Capacity	126L
Cooking functions	9
Other functions	2
Door	Triple glazed Cool Door Technology
Shelf positions	5
Thermostat	50° C - 260° C
Cooking with probe	No
Cleaning	Vapour Clean
Lighting	2 x 40W halogen
Safety	Thermal protection system
Fans	2
Timer	End of cooking acoustic alarm Timer
Door	Soft close door

GAS HOB FEATURES

Capacity	5 burners
	Front left 12.0 MJ/h
	Rear left 7.5 MJ/h
	Centre (wok) 17.0 MJ/h (inner 2.6 MJ/h, outer 14.1 MJ/h)
	Rear right 7.5 MJ/h
	Front right 3.9 MJ/h
Pan stands	Cast iron
Gas input	Set for natural gas, regulator supplied, adapt for ULPG, no regulator required
Safety	Flame failure device fitted to each burner

INCLUDED ACCESSORIES

- 1 x Chrome shelf
- 1 x Grill insert
- 1 x 20mm enamelled deep baking tray
- 1 x 40mm enamelled deep baking tray
- 1 x Cast iron wok support
- 1 x Cast iron moka stand

OPTIONAL ACCESSORIES

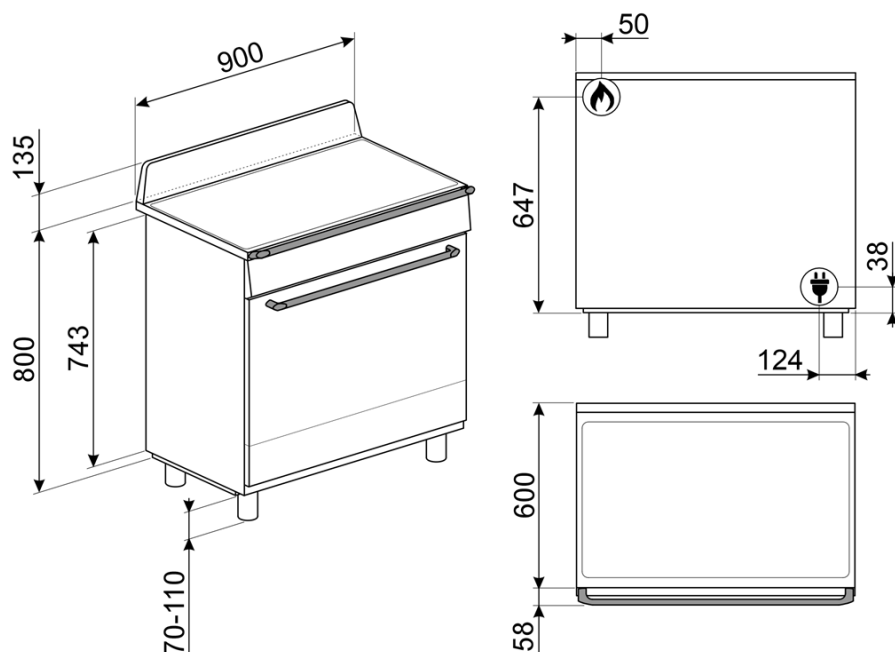
- GTP - Partial telescopic guides
- GTT - Full telescopic guides
- PPR9 - Pizza stone

TRA90GMBL

90CM VICTORIA GAS FREESTANDING COOKER

MADE IN ITALY

Since 1948



Dimensions	900mmW x 870-910mmH x 600mmD (including feet, excluding handle) (refer to technical drawing)
Power	220-240V, 50/60Hz 3,200W 14A Connection
Warranty	Five years parts and labour

PLEASE NOTE: drawings are not to scale. They are to assist only.

WARNING: technical specifications and product sizes can be varied by the manufacturer without notice.

Cutouts for appliances should only be by physical product measurements. The above information is indicative only.