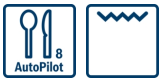


**Series 6, Built-In Microwave Oven, 59  
x 38 cm, Stainless steel  
BEL554MS0A**



**Included accessories**

1 x grid  
1 x Turntable

**The built-in microwave for the 38 cm niche:  
use it for thawing, heating and perfect  
preparation of food.**

- **Microwave function:** time saving preparation, defrosting and re-heating of dishes.
- **AutoPilot 8:** every dish is a perfect success thanks to 8 pre-set automatic programmes.
- **Electronical door opening:** comfortable door opening just with a fingertip on the sensor button.
- **Grill function:** perfect grilling results are quickly and easily achieved thanks to a powerful grill.

**Technical Data**

Type of micro-wave oven : MW+Grill function  
Color / Material Front : Stainless steel  
Built-in / Free-standing : Built-in  
Door opening : Button  
Cleaning : Hydrolytic  
Control Panel Material : Glass, Stainless steel  
Colour.Material door : Black, Stainless steel  
Dimensions (HxWxD) : 382 x 594 x 388 mm  
Dimensions of the packed product (HxWxD) : 470 x 660 x 460 mm  
Min. required niche size for installation (HxWxD) : 380-382 x 560-568 x 550 mm  
Cavity dimensions : 208.0 x 328.0 x 369.0 mm  
Cavity capacity : 25 l  
Maximum micro-wave power : 900 W  
Number of interior lights : 1  
Net weight : 18.0 kg  
Gross weight : 20.7 kg  
EAN code : 4242005039012  
Connection Rating : 1450 W  
Fuse protection : 10 A  
Voltage : 220-230 V  
Frequency : 50 Hz  
Length electrical supply cord : 130 cm



## **Series 6, Built-In Microwave Oven, 59 x 38 cm, Stainless steel BEL554MS0A**

**The built-in microwave for the 38 cm niche:  
use it for thawing, heating and perfect  
preparation of food.**

### **Dimensions**

- Appliance dimensions (HxWxD): 382 mm x 594 mm x 388 mm
- Installation dimensions (HxWxD): 380 mm - 382 mm x 560 mm - 568 mm x 550 mm
- Please reference the built-in dimensions provided in the installation drawing

---

### **Microwave and heating methods**

- Max. Power: 900 W; 5 Microwave power settings: 90 W, 180 W, 360 W, 600 W, 900 W
- Grill 1200 W
- Grill and microwave power levels 90 W, 180 W, 360 W combinable
- Microwave and grill can be used separately and in combination

### **Design**

- Rotary control knobs, Retractable control knobs, Touch control
- stainless steel cavity
- Cavity volume: 25 l

### **Convenience**

- LED-display control
- Electronic clock/timer with end time programming
- User-friendly electronics: extremely easy and comfortable operation
- AutoPilot, 8 automatic programs
- 4 defrost and 3 cooking programmes in microwave function, 1 programme for combination function
- Memory function (1 setting)
- LED lighting
- 31.5 cm Glass turntable
- Left hinged door
- Electronic door opener
- Cooling fan

### **Accessories**

- 1 x Turntable, 1 x grid

### **Safety and Environment**

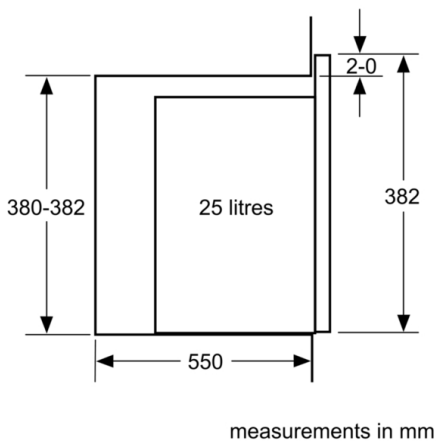
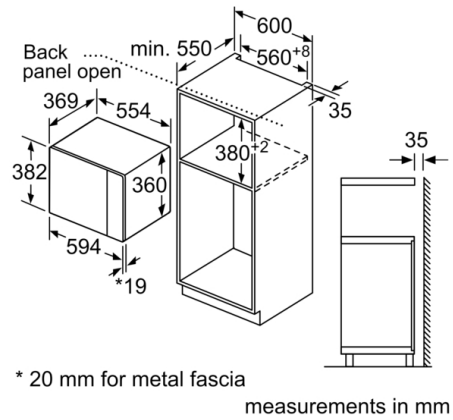
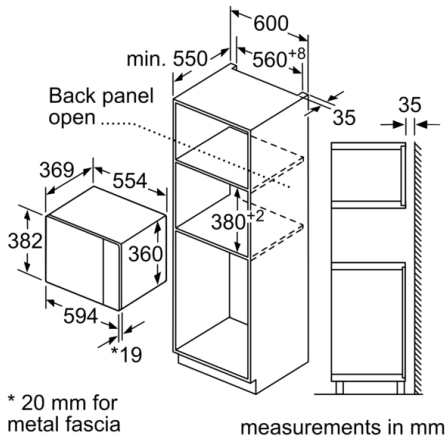
- Automatic safety switch off function
- Door contact switch

### **2 year warranty**

### **Technical Info**

- Length of mains cable: 130 cm
- Nominal voltage: 220 - 230 V
- Total connected load electric: 1.45 KW

**Series 6, Built-In Microwave Oven, 59 x 38 cm, Stainless steel  
BEL554MS0A**



Microwave,  
corner installation

