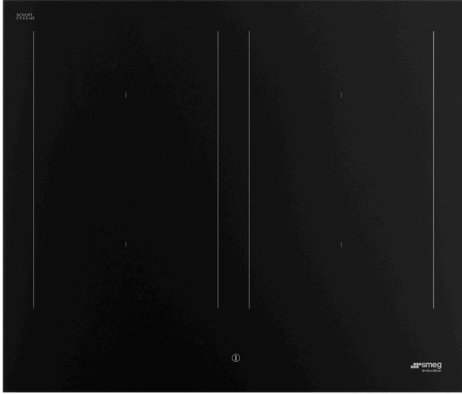


SIM3644N

60CM CLASSIC INDUCTION COOKTOP

MADE IN ITALY
Since 1948



HIGHLY RESISTANT MATTE BLACK FINISH

Premium SCHOTT CERAN® matte black ceramic glass reduces the visibility of scratches up to five times more effectively than traditional ceramic glass. Plus, a special coating reduces the visibility of fingerprints - keeping the cooktop looking clean and elegant with minimal maintenance.

MULTIZONE COOKING

Smeg's Multizone allows users to join two cooking zones and operate them by a single control. Every part of the zone to the edge is usable, without any cold spots, making cooking with larger pots and pans effortless. Use four zones individually, or join the zones to create two large multizones.

EVO SLIDER

White backlit LEDs on the EVO Slider control gives a touch of elegance and minimalist appearance to the cooktop, lighting up only during use. Set the cooktop parameters and adjust power levels effortlessly, transforming your kitchen into a sleek and modern space.

AUTOVENT 2.0

Using Bluetooth technology, your compatible rangehood will automatically adjust based on the power level selected on the cooktop. You will always have the optimal extraction level, leaving your kitchen without condensation and odours.

A PERFECT MATCH TO CLASSIC MATTE BLACK

Pair with a Smeg Classic matte black built-in ovens and rangehood for a beautiful and cohesive full matte black kitchen solution.

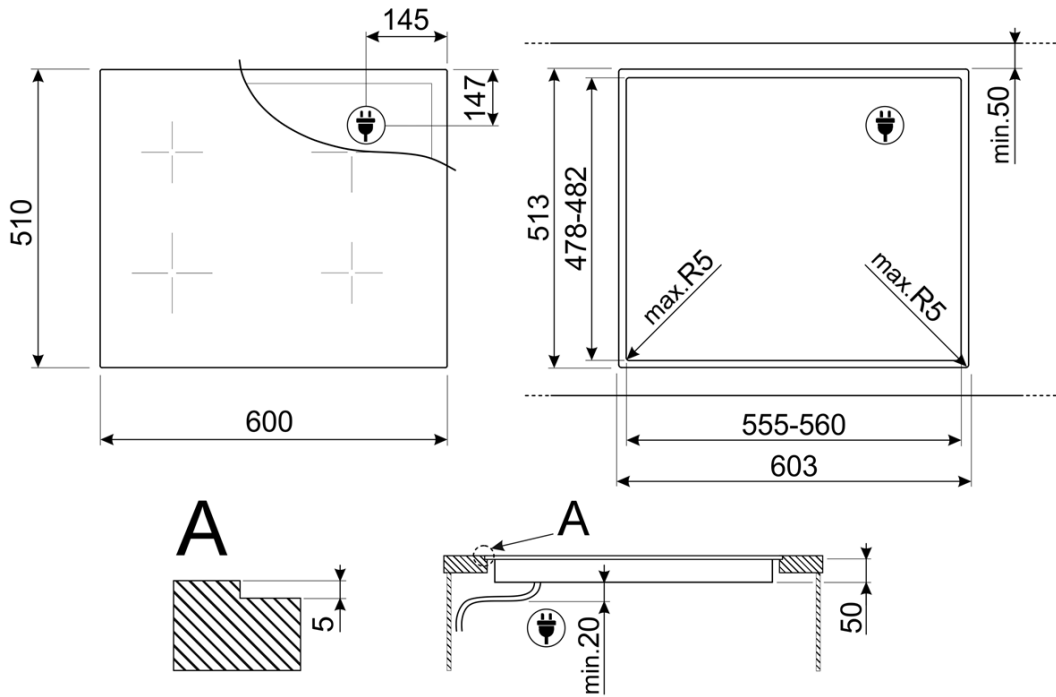


COOKTOP FEATURES

| | |
|--------------------|--|
| EAN | 8017709358129 |
| Dimensions | 600mmW x 510mmD x 53mmH |
| Finish | Matte black |
| Installation | Topmount and flushmount |
| Cutout | 555-560mmW x 478-482mmD (refer to technical drawing) |
| Capacity | 4 individual zones 2 multizones Front left: 18.0 x 21.5cm 2100W Boost 2,500W Double Boost 3,000W Rear left: 18.0 x 21.5cm 2100W Boost 2,500W Double Boost 3,000W Rear right: 18.0 x 21.5cm 2100W Boost 2,500W Double Boost 3,000W Front right: 18.0 x 21.5cm 2100W Boost 2,500W Double Boost 3,000W Multizone left: 36.0 x 21.0cm 3000W Boost 3700W Multizone right: 36.0 x 21.0cm 3000W Boost 3700W |
| Functions/features | Boost and Double Boost function Multizone function Autovent 2.0 Grill function Warming function Rapid heating function Pause/Recall function |
| Timer | 4 x timers Minute minder End of cooking alarm Residual time indicator |
| Controls | EVO Slider white backlit LED 9 power levels Quick selection |
| Safety | Auto pan detection Automatic switch off Residual heat indicator Control lock/child safety |
| Power | 220-240V, 50/60Hz 7,400W 33A Connection |
| Warranty | Two years parts and labour |

SIM3644N
60CM CLASSIC INDUCTION COOKTOP

MADE IN ITALY
Since 1948



PLEASE NOTE: drawings are not to scale. They are to assist only.

WARNING: technical specifications and product sizes can be varied by the manufacturer without notice.

Cutouts for appliances should only be by physical product measurements. The above information is indicative only.